

SINGER

271K11,K12,K13,K14,K24,K211,KX1

Parts List

SINGER

271

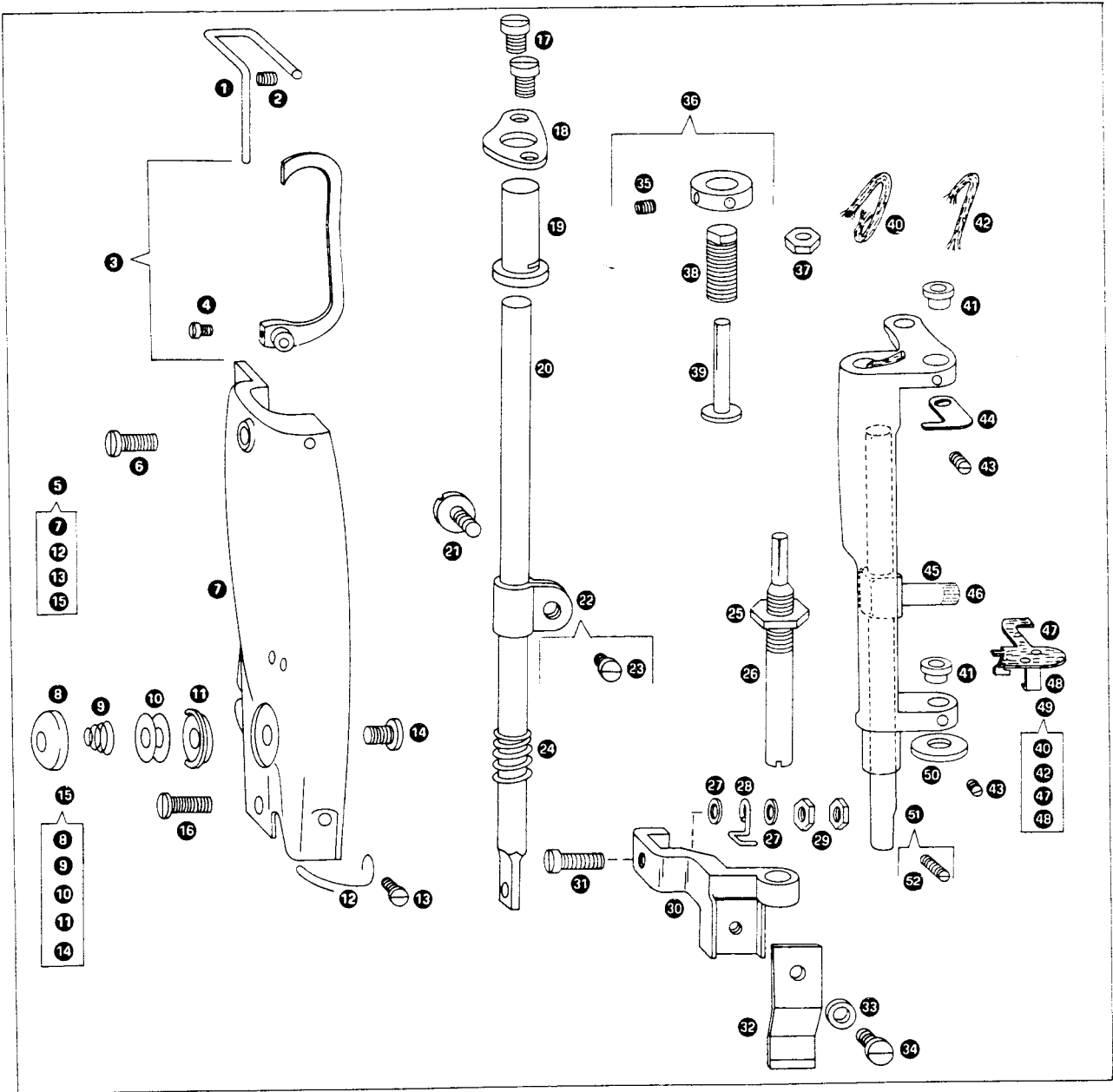
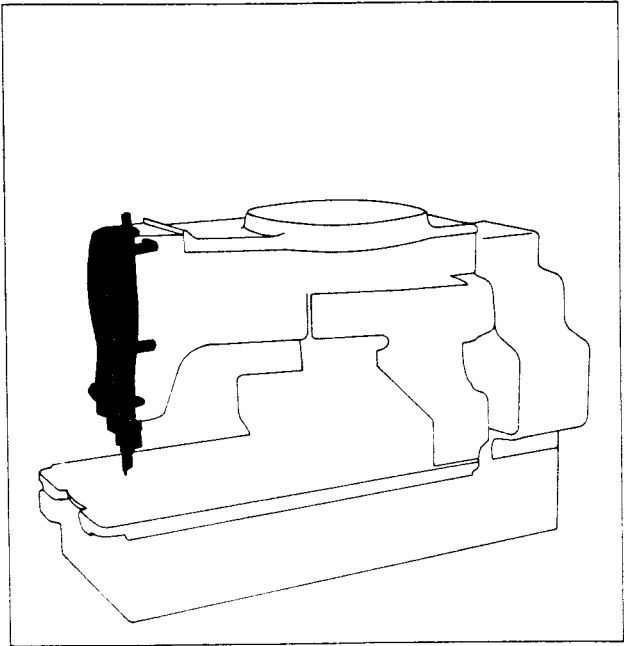
K11
K12
K13
K14
K24
K211
KX1

Parts List for 271K11 Machine

Ref. No.	Part No. For Ordering	Description	Amt. Req.
1	271693	Thread Guide (side of arm) (lower)	
2	1019(830)	Thread Guide (side of arm) (lower) Set Screw	
3	271916	Tension (side of arm) Releaser with 200(830)	
4	200(830)	Tension (side of arm) Releaser Set Screw	
5	271548	Face Plate with 1423(806), 271667 and 271692	
6	140050(809)	Face Plate Screw (upper)	
7	271547	Face Plate	
8	9544(839)	Thread Check Cap	
9	9545-001	Thread Check Spring	
10	9543	Thread Check Disc	2
11	271666	Thread Check Bracket	
12	271692	Thread Guide (on Face Plate)	
13	1423(806)	Thread Guide (on Face Plate) Screw	
14	208(830)	Thread Check Screw	
15	271667	Thread Check Complete	
16	330(804)	Face Plate Screw (lower)	
17	168(804)	Knife Bar Stop Retainer Plate Screw	2
18	249545	Knife Bar Stop Retainer Plate	
19	249544	Knife Bar Stop	
20	23460	Knife Bar	
21	1239(804)	Knife Bar Connecting Link Cap Screw	
22	271915	Knife Bar Connecting Stud with 1319(806)	
23	1319(806)	Knife Bar Connecting Stud Clamping Screw	
24	271494	Knife Bar Spring	
25	1608(803)	Knife Holder Guide Stud Nut	
26	98968	Knife Holder Guide Stud	
27	49109	Knife Holder Screw Washer	2
28	98952	Needle Thread Guide (lower)	
29	1547(819)	Knife Holder Screw Nut	2
30	271919	Knife Holder	
31	109060(830)	Knife Holder Screw	
32	98735	Knife for 1/2 inch Buttonhole	
33	23390	Knife Screw Washer	
34	191(806)	Knife Screw	
35	141087(869)	Needle Bar Frame Stud Collar Set Screw	2
36	271445	Needle Bar Frame Stud Collar with two 141087(850)	
37	1517(804)	Needle Bar Frame Stud Sleeve Nut	
38	271444	Needle Bar Frame Stud Sleeve	
39	271442	Needle Bar Frame Stud	
40	270200	Needle Bar Oiling Wick	
41	108216	Needle Bar Frame Stud Bushing	2
42	241189	Thread Take-up Lever Oil Packing Wick	
43	350562(869)	Needle Bar Frame Stud Bushing Set Screw	2
44	271607	Needle Bar Frame Oiling Felt (upper)	
45	98965	Needle Bar Connecting Stud with 114003	
46	114003(833)	Needle Bar Connecting Stud Set Screw	
47	271610	Needle Bar Oiling Felt	
48	271611	Needle Bar Oiling Felt Retainer	
49	98966	Needle Bar Frame with 241189, 270200, 271610 and 271611	
50	271606	Needle Bar Frame Oiling Felt (lower)	
51	98961	Needle Bar with 336(804)	
52	336(804)	Needle Set Screw	

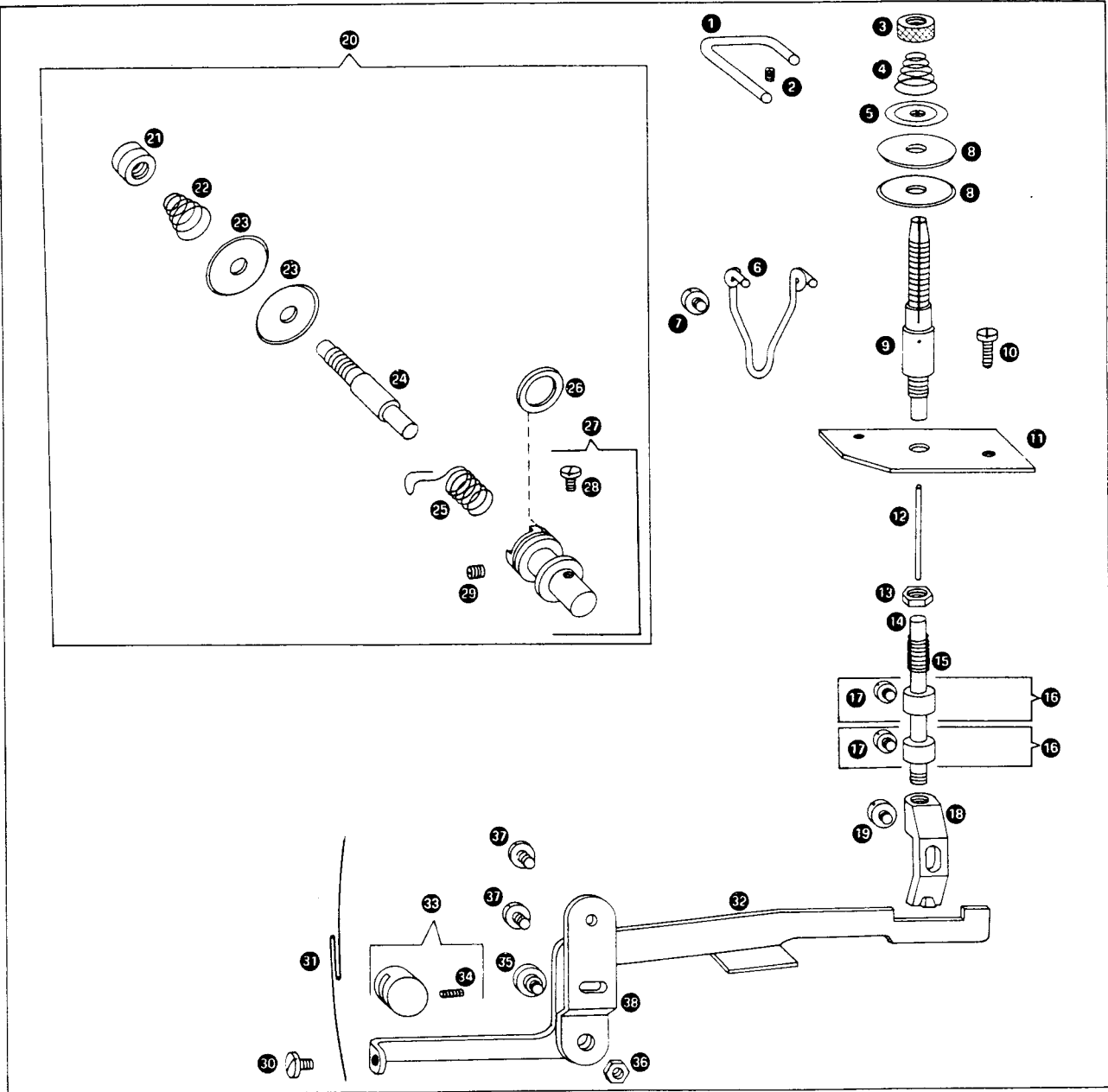
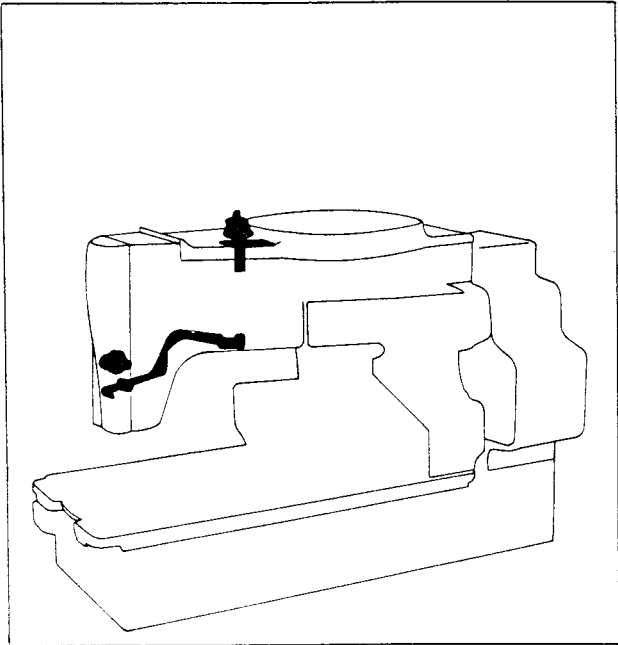
Parts List

SINGER



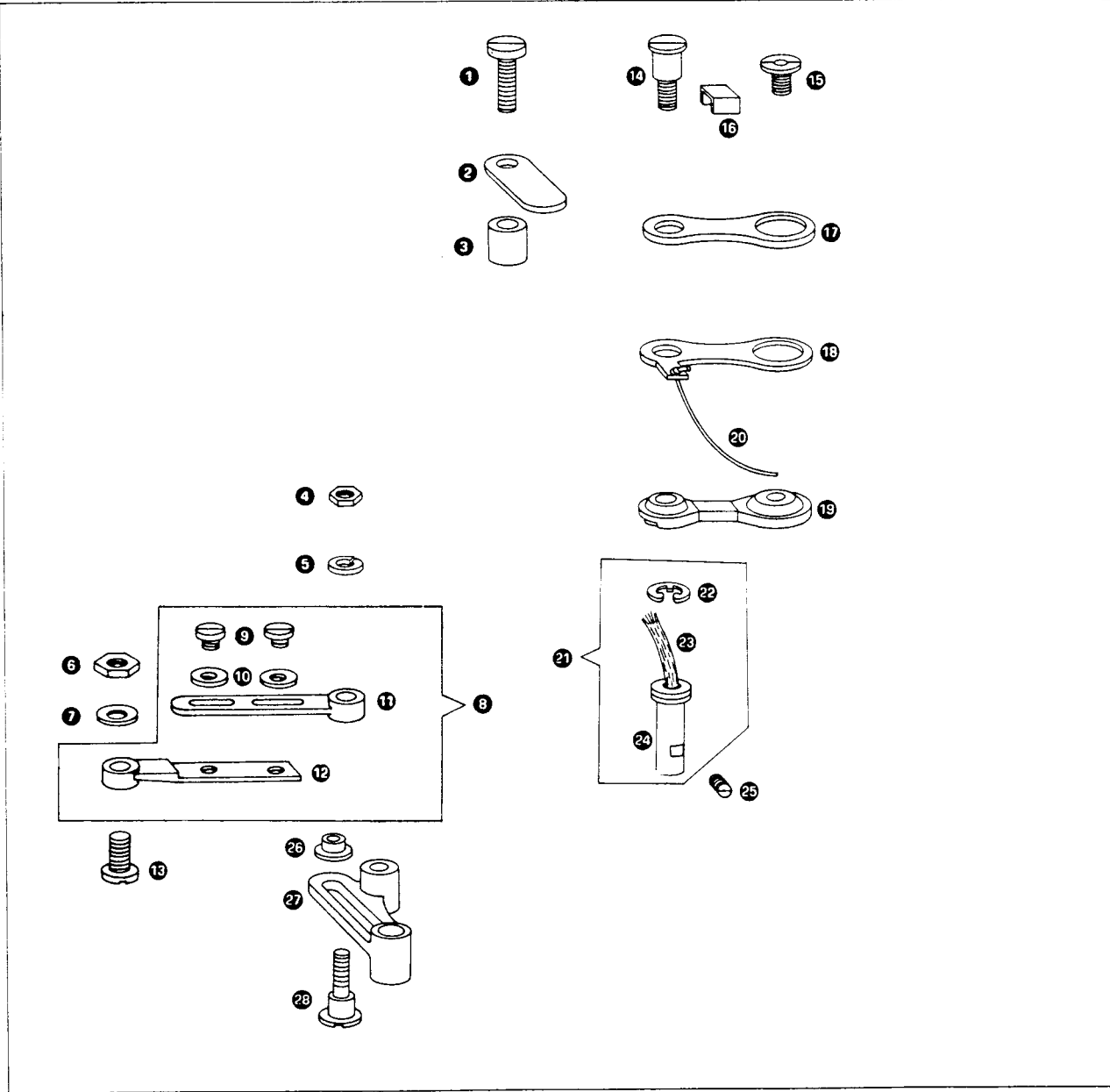
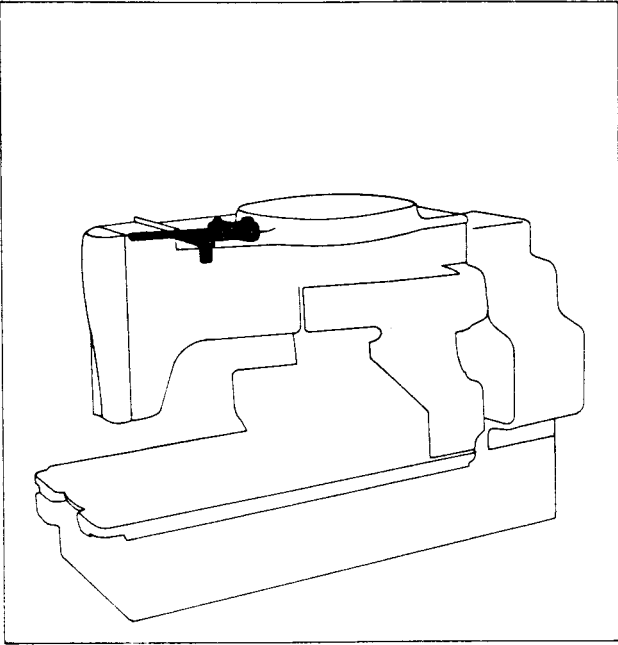
Parts List for 271K11 Machines

Ref. No.	Part No. For Ordering	Description	Amt. Req.
1	271781	Thread Guide (side of arm) (upper)	
2	460(830)	Thread Guide (side of arm) (upper) Set Screw	
3	51570(806)	Tension (top of arm) Regulating Thumb Nut	
4	271665	Tension (top of arm) Spring	
5	32572	Tension (top of arm) Releasing Disc	
6	271744	Tension (top of arm) Thread Eyelet (double)	
7	212(806)	Tension (top of arm) Thread Eyelet Screw	
8	32012	Tension (top of arm) Disc	2
9	350399(806)	Tension (top of arm) Screw Stud	
10	190(804)	Arm Top Cover Plate Screw	2
11	271773	Arm Top Cover Plate	
12	39635	Tension (top of arm) Releasing Pin	
13	1664(805)	Tension (top of arm) Screw Stud Lock Nut	
14	249687	Tension (top of arm) Releaser Rod	
15	271691	Tension (top of arm) Releaser Rod Spring	
16	40043	Tension (top of arm) Releaser Rod Collar with 209(831)	2
17	209(831)	Tension (top of arm) Releaser Rod Collar Set Screw	2
18	271929	Barring Point	
19	191(806)	Barring Point Screw	
20	271658	Tension (side of arm) complete	
21	1560(806)	Tension (side of arm) Regulating Thumb Nut	
22	8238	Tension (side of arm) Spring	
23	2102	Tension (side of arm) Disc	2
24	1043(806)	Tension (side of arm) Screw Stud	
25	39652	Thread Take-up Spring	
26	271701	Thread Take-up Spring Regulator Oil Seal Ring (rubber)	
27	271700	Thread Take-up Spring Regulator with 237(804)	
28	237(804)	Tension (side of arm) Screw Stud Set Screw	
29	446(833)	Thread Take-up Spring Regulator Set Screw	
30	1443(806)	Automatic Knife Disengaging Lever Thread Guide Screw	
31	271410	Automatic Knife Disengaging Lever Thread Guide	
32	271408	Automatic Knife Disengaging Lever	
33	271428	Automatic Knife Disengaging Lever Balance Weight with 140490(833)	
34	140490(833)	Automatic Knife Disengaging Lever Balance Weight Set Screw	
35	974(806)	Automatic Knife Disengaging Lever Hinge Screw	
36	1698(803)	Automatic Knife Disengaging Lever Hinge Screw Nut	
37	161(804)	Automatic Knife Disengaging Lever Bracket Screw	2
38	271782	Automatic Knife Disengaging Lever Bracket	



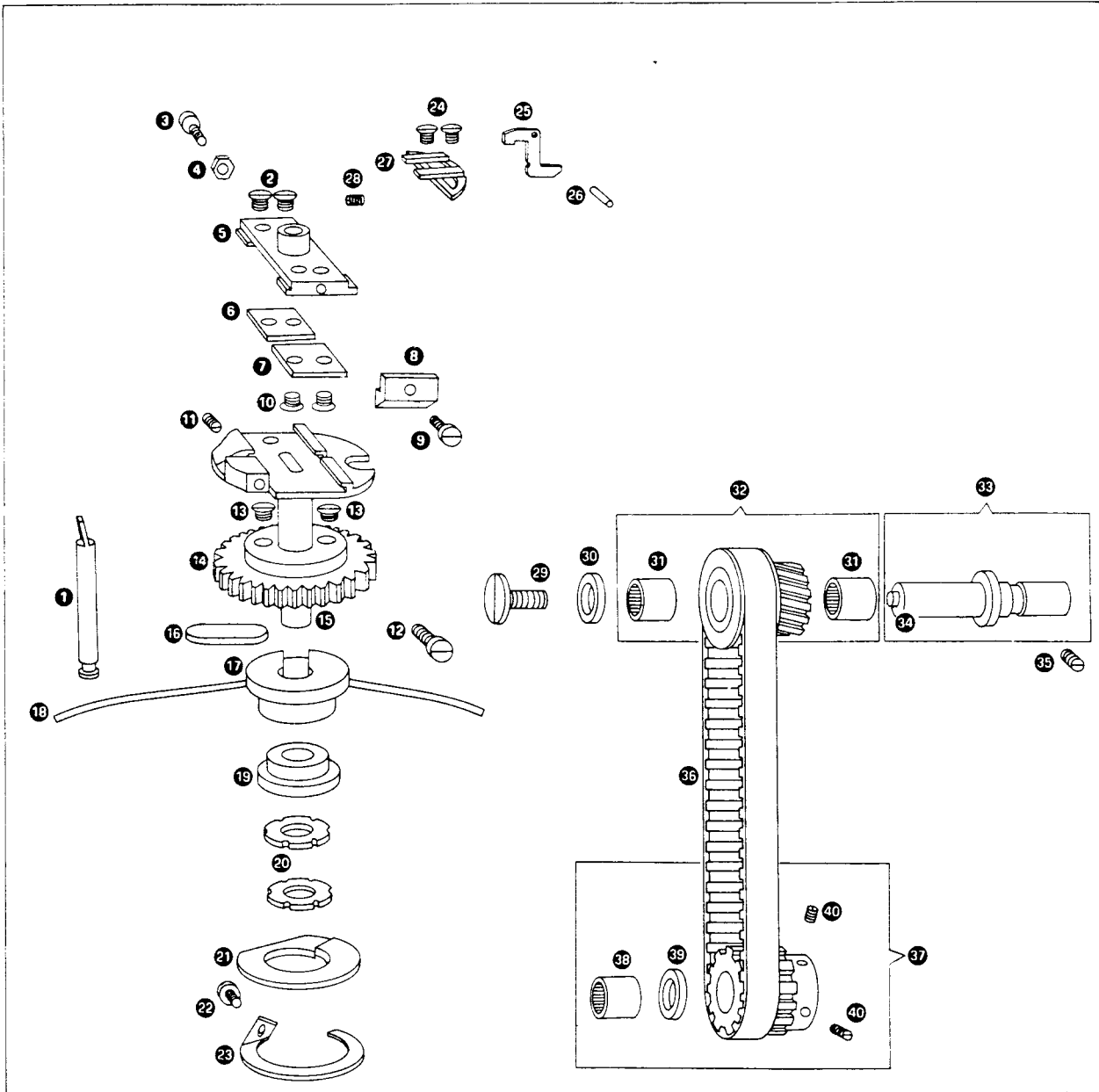
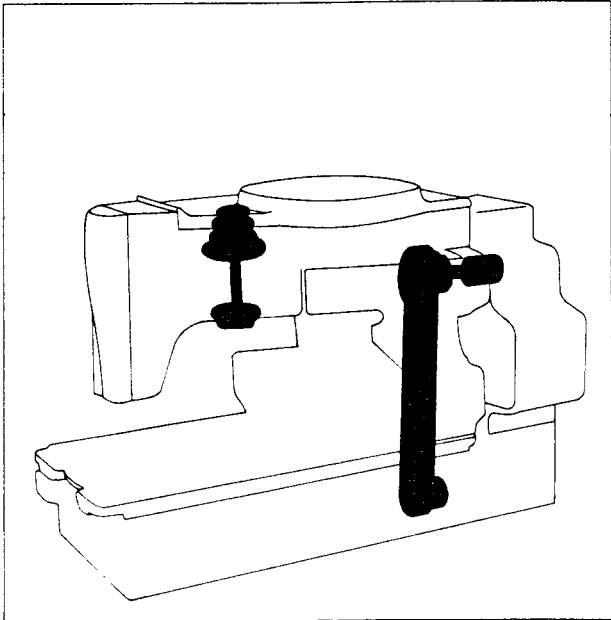
Parts List for 271K11 Machine

Ref. No.	Part No. For Ordering	Description	Amt. Req.
1	50172(803)	Barring Tripping Point Lock Screw	
2	271889	Barring Tripping Point	
3	271890	Barring Tripping Point Spacer	
4	1698(803)	Needle Bar Frame Regulator Hub Adjusting Screw Nut	
5	39504	Needle Bar Frame Regulator Hub Adjusting Screw Washer	
6	1547(819)	Needle Bar Frame Pitman Hinge Screw Nut	
7	271831	Needle Bar Frame Pitman (hinge screw end) Washer	
8	271966	Needle Bar Frame Pitman (adjustable) complete	
9	190(806)	Needle Bar Frame Pitman Adjusting Screw	2
10	7071	Needle Bar Frame Pitman Adjusting Screw Washer	2
11	271917	Needle Bar Frame Pitman (regulator end)	
12	271918	Needle Bar Frame Pitman (hinge screw end)	
13	141679(803)	Needle Bar Frame Pitman Hinge Screw	
14	141549(806)	Needle Bar Frame Connection Hinge Screw	
15	141548(806)	Needle Bar Frame Connection Cap Screw	
16	271771	Needle Bar Frame Connection Oiling Felt Retainer Clamp	
17	271765	Needle Bar Frame Connection Oiling Felt Retainer	
18	271764	Needle Bar Frame Connection Oiling Felt	
19	271604	Needle Bar Frame Connection	
20	271976	Needle Bar Frame Connection Oiling Wick	
21	271608	Needle Bar Frame Regulator Hinge Stud with 262135 and 271609	
22	262135	Needle Bar Frame Regulator Hinge Stud Oil Wick Retainer	
23	271609	Needle Bar Frame Regulator Hinge Stud Oil Wick	
24	262133	Needle Bar Frame Regulator Hinge Stud	
25	446(833)	Needle Bar Frame Regulator Hinge Stud Set Screw	
26	7070	Needle Bar Frame Regulator Hub Adjusting Screw Sleeve	
27	271770	Needle Bar Frame Regulator	
28	1038(803)	Needle Bar Frame Regulator Hub Adjusting Screw	



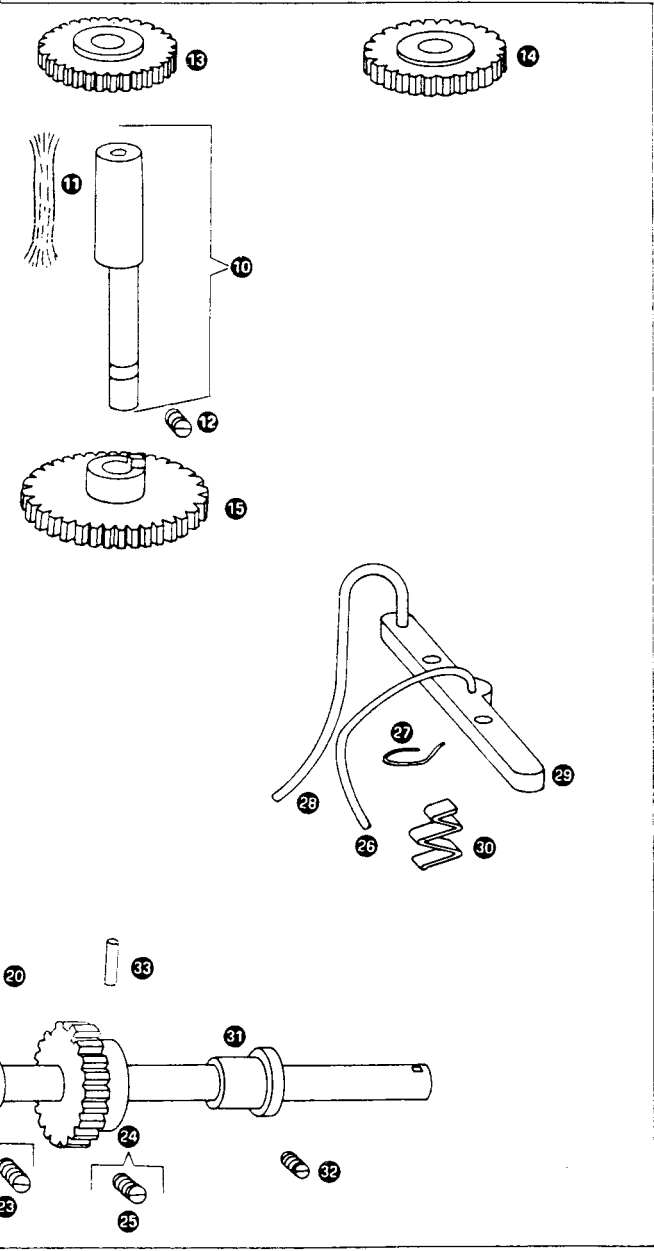
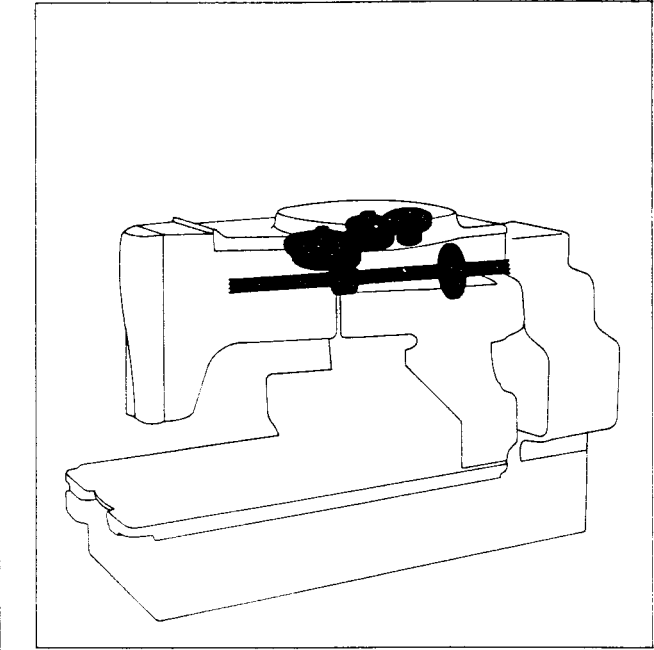
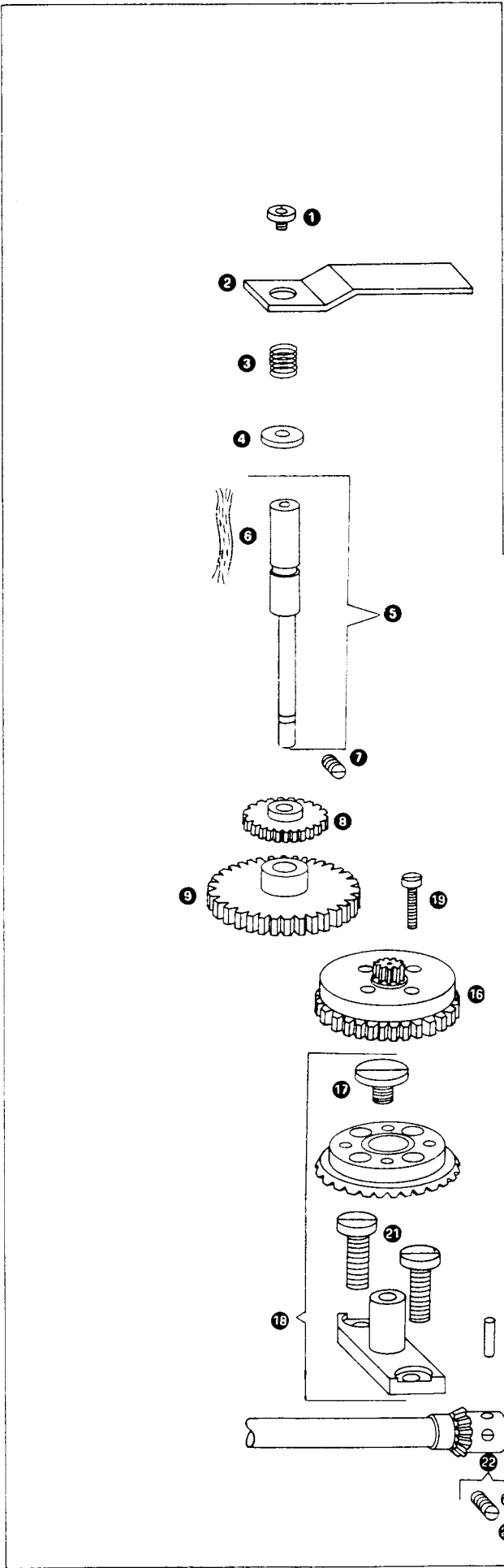
Parts List for 271K11 Machine

Ref. No.	Part No. For Ordering	Description	Amt. Req.
1	271519	Barring Slide Operating Rod	
2	223(804)	Barring Slide Operating Plate (adjustable) Screw	2
3	141564(803)	Barring Slide Operating Plate Adjusting Screw	
4	1607(805)	Barring Slide Operating Plate Adjusting Screw Nut	
5	271796	Barring Slide	
6	271943	Barring Slide Operating Plate (adjustable)	
7	271883	Barring Slide Operating Plate (stationary)	
8	271931	Barring Slide Stop	
9	704(806)	Barring Slide Stop Attaching Screw	
10	228(804)	Barring Slide Operating Plate (stationary) Screw	2
11	452(833)	Barring Slide Stop Screw (adjustable) Set Screw	
12	898(803)	Barring Slide Stop Screw (adjustable)	
13	51000(805)	Needle Bar Frame Driving Gear Screw	2
14	271605	Needle Bar Frame Driving Gear	
15	271517	Barring Shaft	
16	271518	Barring Shaft Oiling Felt (in Arm)	
17	271774	Barring Shaft Bushing (Upper)	
18	271698	Barring Shaft Oiling Wick	
19	271631	Barring Shaft Bushing (Lower)	
20	53561(803)	Barring Shaft Adjusting Lock Nut	2
21	271755	Barring Shaft Oiling Felt (lower)	
22	216(804)	Barring Shaft Oiling Felt (lower) Retainer Screw	
23	271756	Barring Shaft Oiling Felt (lower) Retainer	
24	196(805)	Barring Trip Lever Plate Clamping Screw	2
25	271886	Barring Trip Lever	
26	271887	Barring Trip Lever Hinge Pin	
27	271888	Barring Trip Lever Plate	
28	210962	Barring Trip Lever Spring	
29	964(804)	Hook Driving Connection Belt Pulley Cap Screw	
30	271754	Hook Driving Connection Belt Pulley Thrust Washer	
31	267093	Hook Driving Connection Belt Pulley Needle Bearing	2
32	271580	Hook Driving Connection Belt Pulley with two 267093	
33	271979	Hook Driving Connection Belt Pulley Stud (eccentric) with 271583	
34	271583	Hook Driving Connection Belt Pulley Stud Oil Packing (wick)	
35	430(830)	Hook Driving Connection Belt Pulley Stud Screw	
36	271578	Hook Driving Connection Belt (reinforced Neoprene)	
37	271794	Hook Driving Shaft Connection Belt Pulley with 268425, 271434 and two 140409(830)	
38	268425	Hook Driving Shaft Connection Belt Pulley Needle Bearing	
39	271434	Hook Driving Shaft Thrust Washer	
40	140409(830)	Hook Driving Shaft Connection Belt Pulley Screw	2



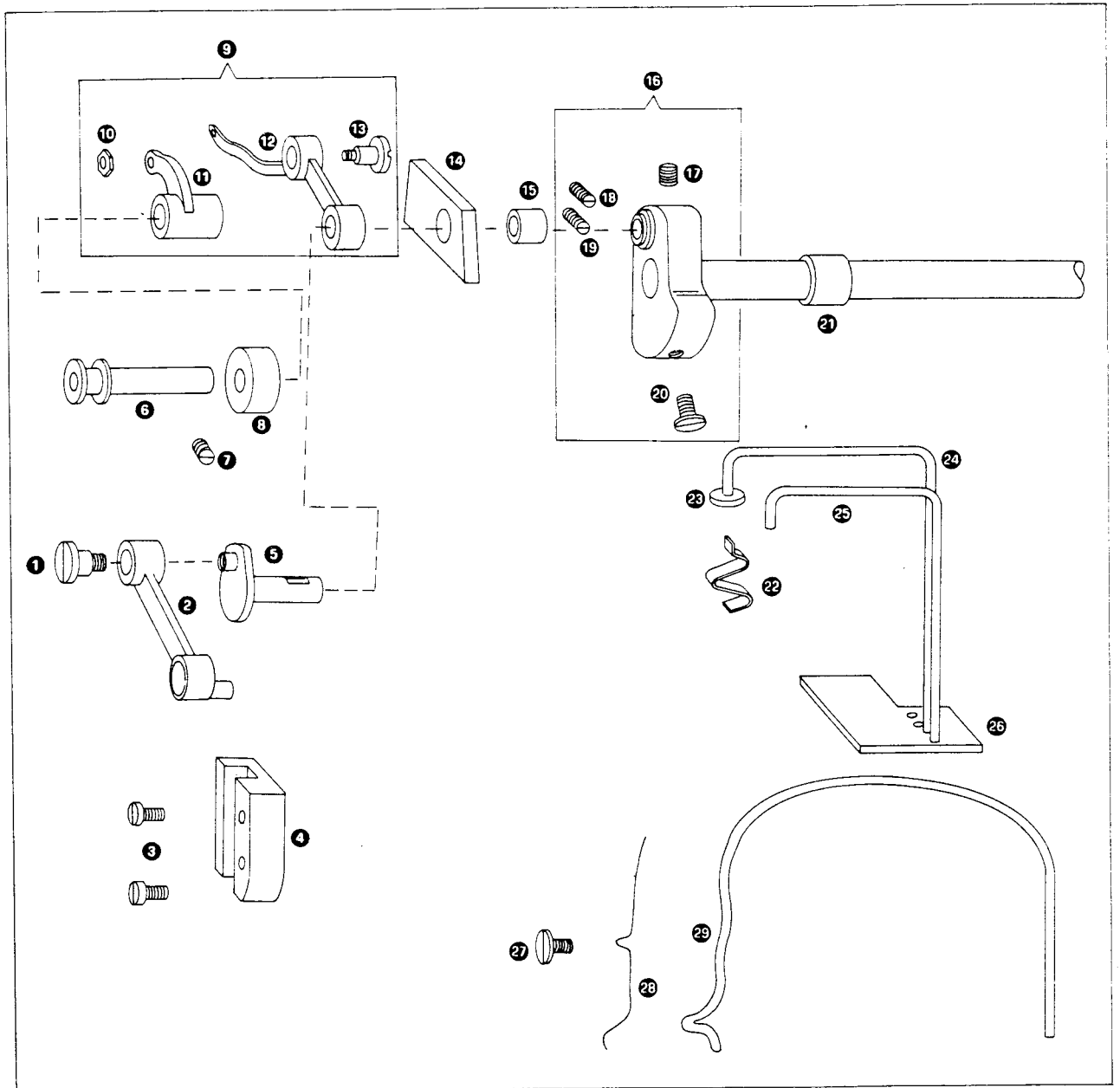
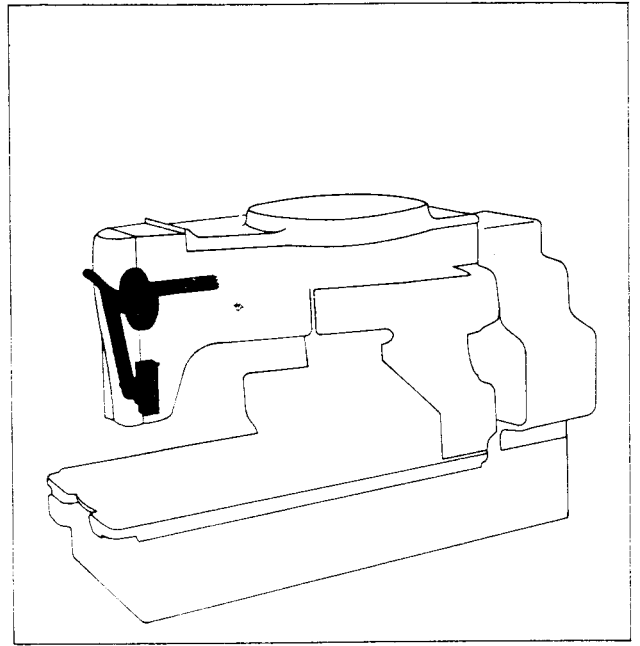
Parts List for 271K11 Machine

Ref. No.	Part No. For Ordering	Description	Amt. Req.
1	141504(819)	Feed Ratchet Gear Compression Spring Cap Screw	
2	271426	Stitch Regulator Gear Retainer	
3	271560	Feed Ratchet Gear Compression Spring	
4	271731	Feed Ratchet Gear Compression Spring Washer	
5	271409	Feed Ratchet Gear (eccentric) Stud with 271562	
6	271562	Feed Ratchet Gear Stud Oil Packing (wick)	
7	140930(850)	Feed Ratchet Gear Stud Set Screw	
8	271559	Feed Ratchet Gear (upper) 32 teeth	
9	271558	Feed Ratchet Gear (lower) 70 teeth	
10	271978	Feed Driving Gear Stud (eccentric) with 263572	
11	263572	Feed Driving Gear Stud Oil Packing (wick)	
12	140930(850)	Feed Driving Gear Stud Set Screw	
13	271641	Stitch Regulating Gear, 45 teeth	
14	271641	Stitch Regulating Gear, 45 teeth	
15	271550	Feed Driving Gear, 64 teeth	
16	271881	Feed Driving Pinion	
17	141546(803)	Feed Driving Bevel Gear Cap Screw	
18	271473	Feed Driving Bevel Gear Bracket with 141546(803) and 271549	
19	971(805)	Feed Driving Pinion Screw	4
20	40025	Feed Driving Bevel Pinion Position Pin	
21	1396(805)	Feed Driving Bevel Gear Bracket Screw	2
22	271750	Feed Driving Bevel Pinion with two 453(830)	
23	453(830)	Feed Driving Bevel Pinion Set Screw	2
24	271584	Hook Driving Connection Belt Pulley Gear with 141600(830)	
25	141600(830)	Hook Driving Connection Belt Pulley Gear Lock Screw	
26	271423	Hook Driving Connection Belt Pulley Oiling Wick	
27	271652	Stop Cam Gear Stud Oiling Wick Clamp	
28	271651	Stop Cam Gear Stud Oiling Wick	
29	271507	Arm Shaft Flanged Bushing (back) Oiling Felt	
30	271508	Arm Shaft Flanged Bushing (back) Oil Packing (wick)	
31	271733	Arm Shaft Flanged Bushing (back)	
32	448(833)	Arm Shaft Flanged Bushing (back) Set Screw	
33	40025	Hook Driving Connection Belt Pulley Gear Position Pin	



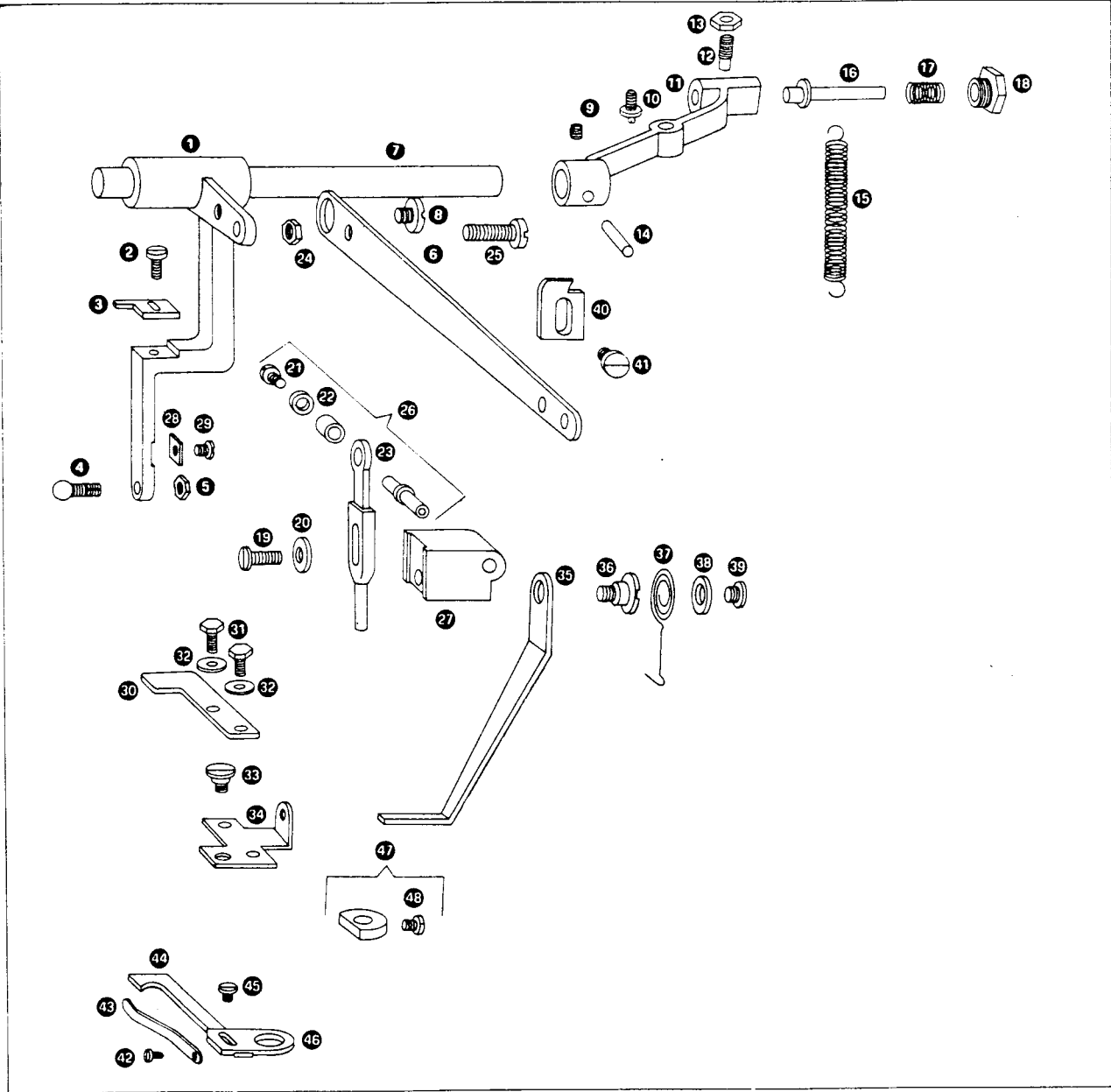
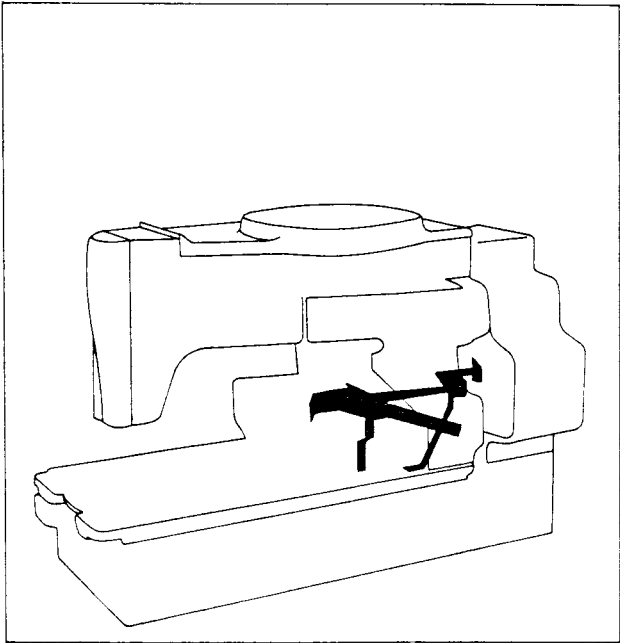
Parts List for 271K11 Machine

Ref. No.	Part No. For Ordering	Description	Amt. Req.
1	1021(805)	Needle Bar Connecting Link Cap Screw	
2	98962	Needle Bar Connecting Link	
3	114002	Needle Bar Connecting Link Guide Block Screw	2
4	98964	Needle Bar Connecting Link Guide Block	
5	271694	Thread Take-up Crank	
6	262138	Thread Take-up Lever Link Hinge Pin	
7	435(833)	Thread Take-up Lever Link Hinge Pin Set Screw	
8	271790	Thread Take-up Lever Link Hinge Pin Oiling Felt	
9	271699	Thread Take-up Lever complete	
10	1521(804)	Thread Take-up Lever Adjusting Screw Nut	
11	271793	Thread Take-up Lever Link	
12	271696	Thread Take-up Lever	
13	141562(803)	Thread Take-up Lever Adjusting Screw	
14	271975	Thread Take-up Lever Link Oiling Felt	
15	271599	Thread Take-up Lever Link Hinge Pin Oiling Felt Washer	
16	271760	Needle Bar Crank with 858(830), 1065(830) and two 141275(869)	
17	141275(869)	Thread Take-up Crank Position Screw	
18	141275(869)	Thread Take-up Crank Set Screw	
19	858(830)	Needle Bar Crank Set Screw	
20	1065(830)	Needle Bar Crank Position Screw	
21	271506	Arm Shaft	
22	271508	Arm Shaft Bushing (front) Oil Packing (wick)	
23	271509	Arm Shaft Bushing (front) Oiling Felt	
24	235706	Arm Shaft Bushing (front) Oil Wick	
25	271651	Thread Take-up Lever Link Hinge Pin Oil Wick	
26	271505	Arm Reservoir Oiling Felt	
27	190(804)	Arm Oil Wick Retainer Screw	
28	271503	Arm Oil Wick Retainer	
29	271502	Arm Oil Wick	



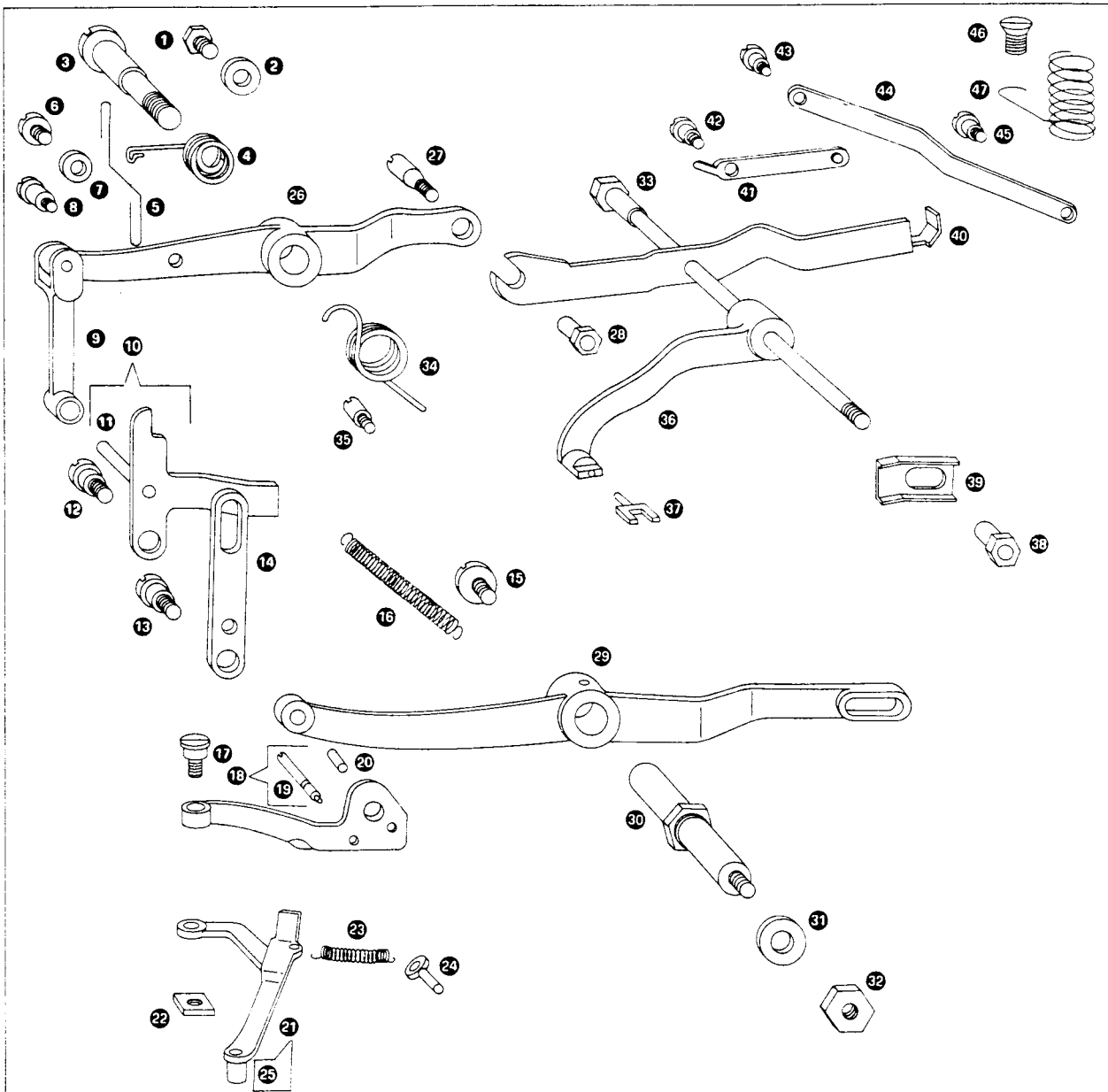
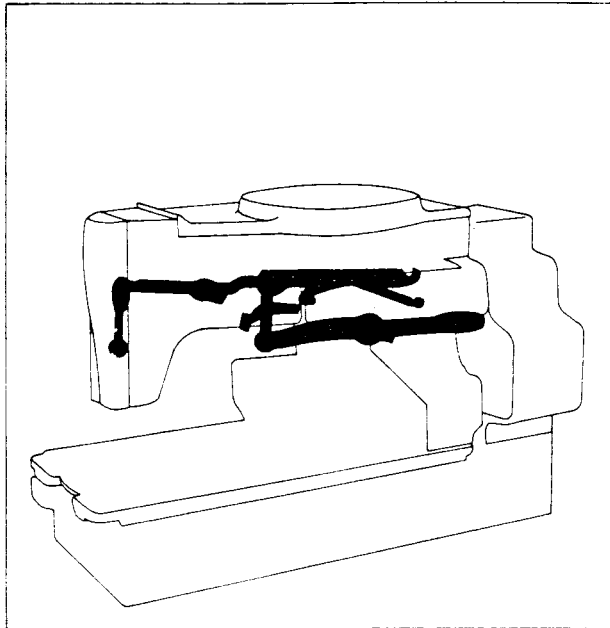
Parts List for 271K11 Machine

Ref. No.	Part No. For Ordering	Description	Amt. Req.
1	271670	Thread (lower) Cutting Lever	
2	201(803)	Thread (upper) Cutting Blade Connecting Rod Latch Tripping Plate Screw	
3	271681	Thread (upper) Cutting Blade Connecting Rod Latch Tripping Plate	
4	1351(803)	Thread (lower) Cutting Lever Ball Screw	
5	1520(809)	Thread (lower) Cutting Lever Ball Screw Nut	
6	271671	Thread (lower) Cutting Lever Extension	
7	271657	Tension (side of arm) Releaser Lever Shaft	
8	350365(803)	Thread (lower) Cutting Lever Extension Screw	
9	140321(830)	Tension (side of arm) Releaser Lever Set Screw	
10	1241(804)	Tension (side of arm) Releaser Lever Spring Screw Stud	
11	271656	Tension (side of arm) Releaser Lever with 140321(830)	
12	717(833)	Tension (side of arm) Releaser Lever Stop Screw	
13	1520(809)	Tension (side of arm) Releaser Lever Stop Screw Nut	
14	271655	Tension (side of arm) Releaser Lever Pin (spiral)	
15	271949	Tension (side of arm) Releaser Lever Spring	
16	40052	Tension (side of arm) Releaser Lever Lock Pin	
17	40053	Tension (side of arm) Releaser Lever Lock Pin Spring	
18	1352(803)	Tension (side of arm) Releaser Lever Lock Pin Screw Bushing	
19	157(806)	Clamp Lifting Arm Connection Roller and Screw Stud Bracket Screw	
20	39541	Clamp Lifting Arm Connection Roller and Screw Stud Bracket Screw Washer	
21	229(804)	Clamp Lifting Arm Connection Roller Cap Screw	
22	12424	Clamp Lifting Arm Connection Roller Cap Screw Washer	
23	271540	Clamp Lifting Arm Connection	
24	1620(805)	Clamp Lifting Arm Connection Hinge Screw Nut	
25	141556(830)	Clamp Lifting Arm Connection Hinge Screw	
26	1901	Clamp Lifting Arm Connection Roller and Screw Stud with 229(804) and 12424	
27	271541	Clamp Lifting Arm Connection Roller and Screw Stud Bracket	
28	271628	Sewing Safety Lock Engaging Plate	
29	114123(804)	Sewing Safety Lock Engaging Plate Screw	
30	271622	Safety Tripping Lever Lock	
31	350114(803)	Safety Tripping Lever Lock Screw	2
32	39541	Safety Tripping Lever Lock Screw Washer	2
33	140566(830)	Safety Tripping Lever Lock Plate Hinge Screw	
34	271623	Safety Tripping Lever Lock Plate	
35	271621	Safety Tripping Lever	
36	350109(803)	Safety Tripping Lever Hinge Screw	
37	251170	Safety Tripping Lever Spring	
38	7071	Safety Tripping Lever Spring Screw Washer	
39	217(804)	Safety Tripping Lever Spring Screw	
40	271624	Safety Tripping Lever Release Plate	
41	898(804)	Safety Tripping Lever Release Plate Screw	
42	201381(804)	Sewing Safety Lock Hinge Bracket Spring Screw	
43	2256	Sewing Safety Lock Hinge Bracket Spring	
44	271625	Sewing Safety Lock	
45	792(804)	Sewing Safety Lock Screw	
46	271629	Sewing Safety Lock Hinge Bracket	
47	271630	Sewing Safety Lock Hinge Bracket Collar with 202(806)	
48	202(806)	Sewing Safety Lock Hinge Bracket Collar Screw	



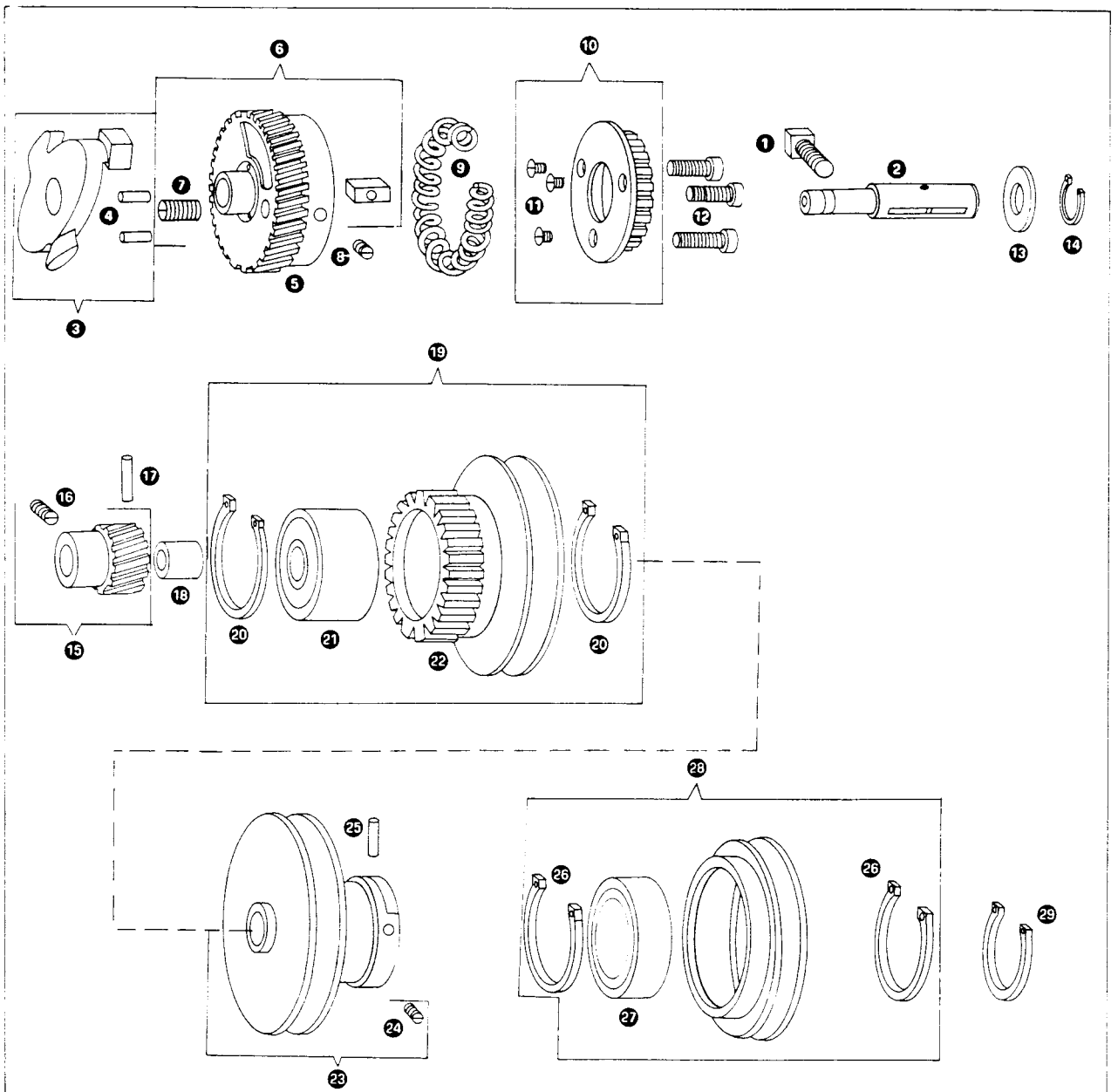
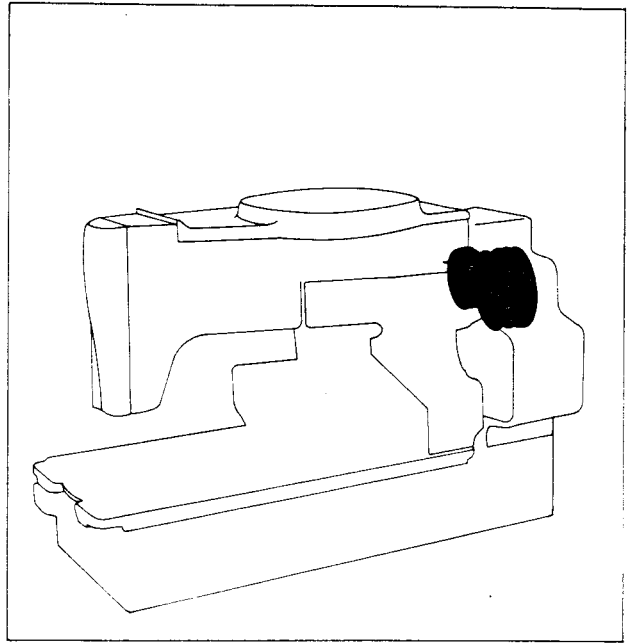
Parts List for 271K11 Machines

Ref. No.	Part No. For Ordering	Description	Amt. Req.
1	141316(830)	Knife Bar Driving Lever Spring Screw	
2	271967	Automatic Knife Disengaging Lever Stop Washer	
3	141649(803)	Knife Bar Driving Lever Hinge Screw	
4	23681	Knife Bar Driving Lever Spring	
5	271783	Thread (upper) Pull-off	
6	704(809)	Thread (upper) Pull-off Screw	
7	39541	Thread (upper) Pull-off Screw Washer	
8	1240(806)	Knife Bar Connecting Link Hinge Screw	
9	271914	Knife Bar Connecting Link	
10	262128	Knife Bar Disengaging Lever with 262058	
11	262058	Knife Bar Disengaging Lever Screw Stud	
12	90(806)	Knife Bar Disengaging Lever Hinge Screw	
13	54(806)	Knife Bar Driving Lever (intermediate) Connecting Link Hinge Screw	
14	262171	Knife Bar Driving Lever (intermediate) Connecting Link	
15	144(804)	Knife Bar Driving Lever (intermediate) Cap Screw	
16	249660	Knife Bar Disengaging Lever Spring	
17	50416(806)	Knife Bar Disengaging Lever Catch Hinge Screw	
18	271935	Knife Bar Disengaging Lever Catch Bracket with 1242(804) and 238089	
19	1242(804)	Knife Bar Disengaging Lever Spring Screw	
20	238089	Knife Bar Disengaging Lever Catch Bracket Position Pin	
21	271934	Knife Bar Disengaging Lever Catch with 1963	
22	1547(819)	Knife Bar Disengaging Lever Catch Hinge Screw Nut	
23	249659	Knife Bar Disengaging Lever Catch Spring	
24	1241(804)	Knife Bar Disengaging Lever Catch Spring Screw Stud	
25	1963	Knife Bar Disengaging Lever Catch Roller and Stud	
26	271595	Knife Bar Driving Lever	
27	271801	Knife Bar Driving Lever Screw Stud	
28	201732(803)	Knife Bar Driving Lever Screw Stud Nut	
29	271936	Knife Bar Driving Lever (intermediate)	
30	141586(803)	Knife Bar Driving Lever (intermediate) Hinge Screw Stud	
31	205634	Knife Bar Driving Lever (intermediate) Hinge Screw Stud Washer	
32	53570(819)	Knife Bar Driving Lever (intermediate) Hinge Screw Stud Nut	
33	350712(803)	Barring Lever Hinge Screw	
34	249607	Barring Lever Spring	
35	1330(806)	Barring Lever Spring Screw Stud	
36	271928	Barring Lever	
37	271930	Barring Slide Operating Rod Stud	
38	201732(803)	Barring Lever Hinge Screw Nut	
39	271429	Feed Hand Ratchet Stop	
40	271952	Starting Lever Safety	
41	271661	Tension (top of arm) Releasing Lever	
42	940(806)	Tension (top of arm) Releasing Lever Connection Screw (front)	
43	90(806)	Tension (top of arm) Releasing Lever Hinge Screw	
44	271662	Tension (top of arm) Releasing Lever Connection	
45	974(806)	Tension (top of arm) Releasing Lever Connection Screw (back)	
46	190(804)	Arm Oil Wick Support Spring Screw	
47	271504	Arm Oil Wick Support Spring	



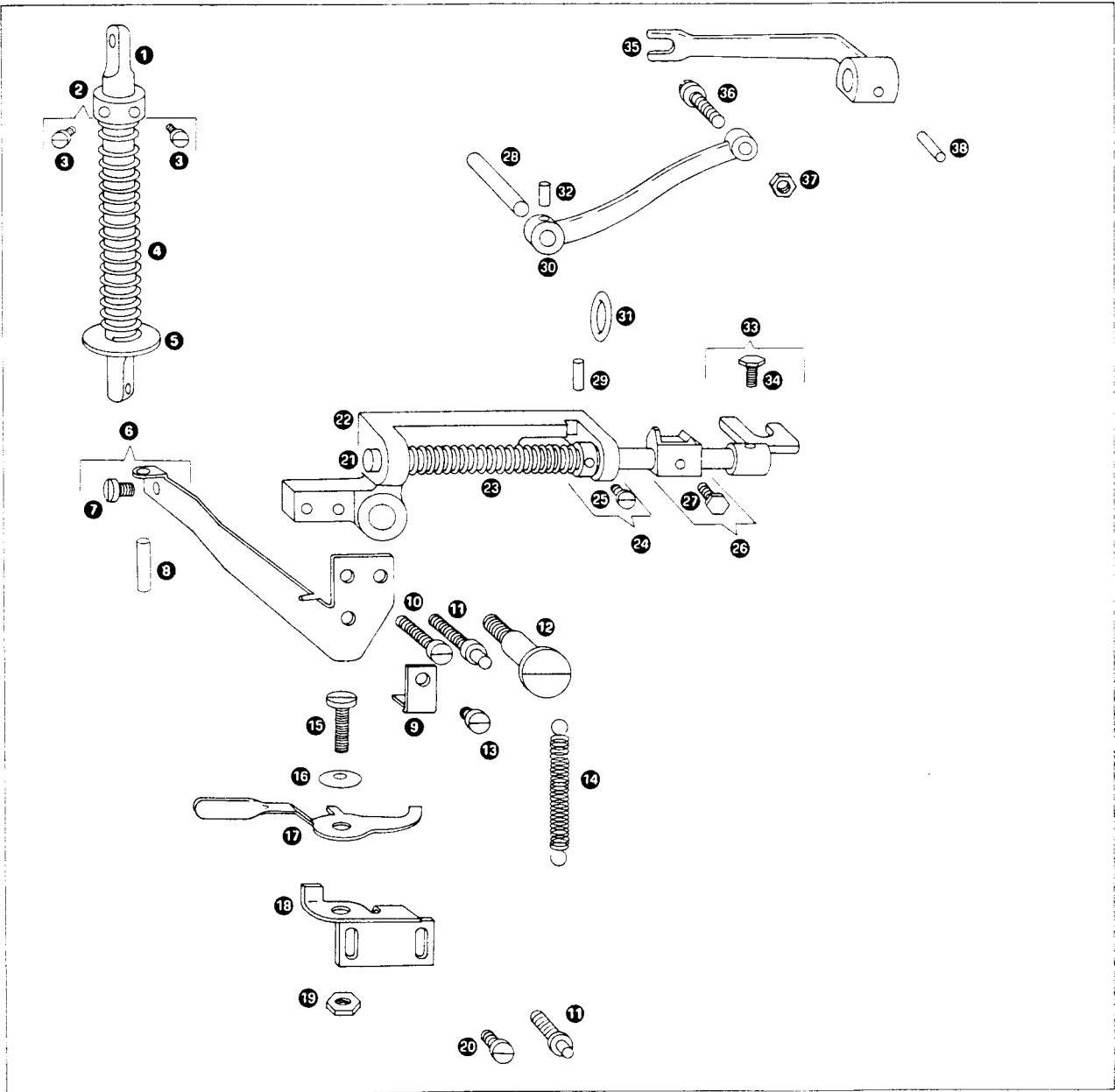
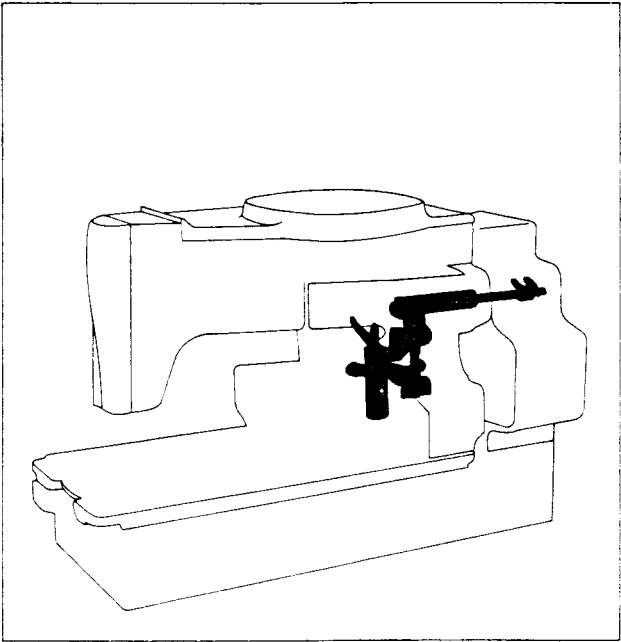
Parts List for 271K11 Machine

Ref. No.	Part No. For Ordering	Description	Amt. Req.
1	795(803)	Stop Cam Gear Stud Set Screw	
2	271650	Stop Cam Gear Stud	
3	271939	Stop Cam with two 202330	
4	202330	Stop Cam Oil Packing (wick)	2
5	271759	Stop Cam Gear	
6	249713	Stop Cam Spring Stop Screw Block with 457(830)	
7	457(830)	Stop Cam Spring Stop Screw Block Set Screw	
8	871(806)	Stop Cam Spring Stop Screw	
9	271495	Stop Cam Spring	
10	271619	Pulley (positive drive) Gear and Stop Cam Spring Cover with three 389(806)	
11	389(806)	Stop Cam Spring Cover Screw	3
12	140050(803)	Pulley (positive drive) Gear Screw	3
13	271730	Stop Cam Gear Stud Washer	
14	265672	Stop Cam Gear Stud Retaining Ring	
15	271653	Stop Cam Pinion with 453(830)	
16	453(830)	Stop Cam Pinion Set Screw	
17	40025	Stop Cam Pinion Position Pin	
18	271738	Pulley (positive drive) Spacer	
19	271763	Pulley (positive drive) with 271736 and 271766	
20	271766	Pulley (positive drive) Ball Bearing Retaining Ring	2
21	271736	Pulley (positive drive) Ball Bearing	
22	271618	Pulley (positive drive)	
23	271617	Pulley (tight) with 140321(803)	
24	140321(803)	Pulley (tight) Set Screw	
25	271739	Pulley (tight) Pin (spiral)	
26	271767	Pulley (loose) Ball Bearing Retaining Ring	2
27	271734	Pulley (loose) Ball Bearing	
28	271615	Pulley (loose) with 271734 and two 271767	
29	271740	Pulley (loose) Retaining Ring	



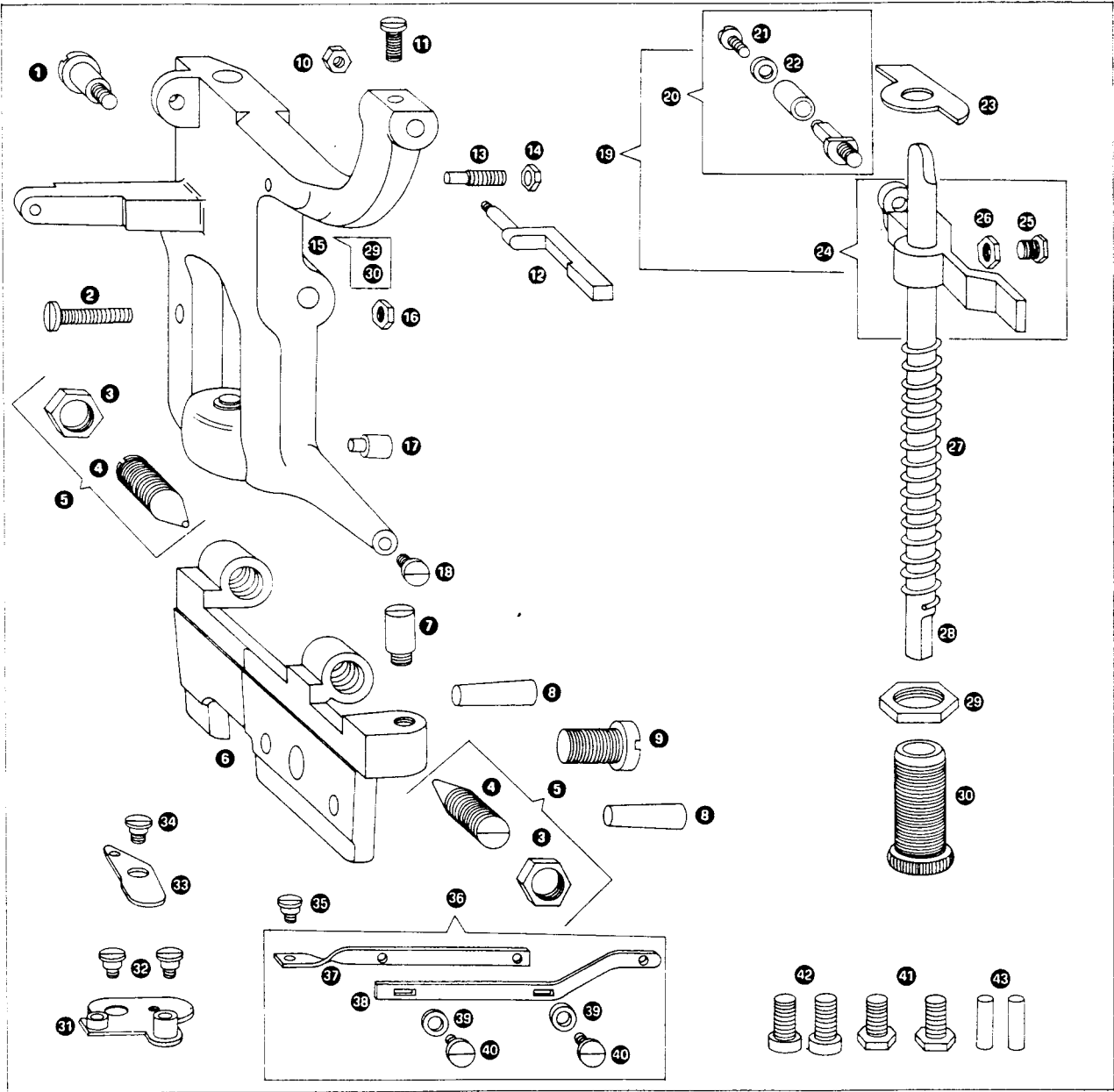
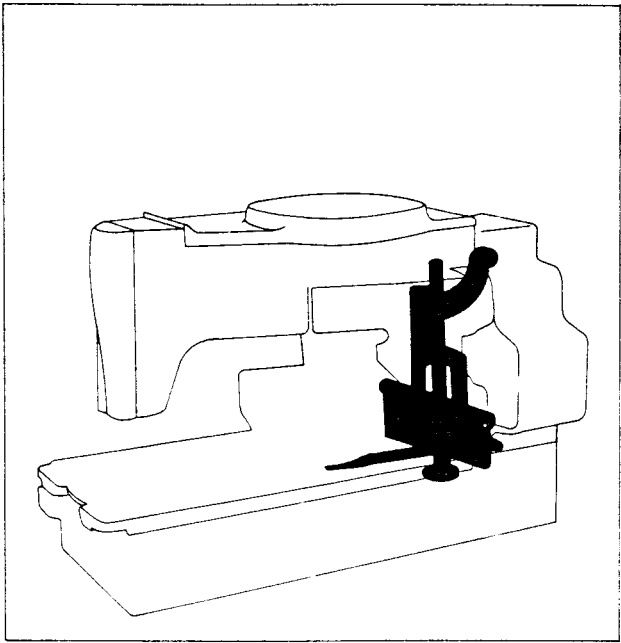
Parts List for 271K11 Machine

Ref. No.	Part No. For Ordering	Description	Amt. Req.
1	271729	Starting Lever Rod	
2	39675	Starting Lever Spring Collar with two 191(806)	
3	191(806)	Starting Lever Spring Collar Set Screw	
4	222616	Starting Lever Spring	
5	202005	Starting Lever Spring Washer	
6	249858	Belt Shifter Shaft Bracket Extension with 51047(805)	
7	51047(805)	Belt Shifter Shaft Bracket Extension Pinch Screw	
8	249864	Belt Shifter Trip Stud	
9	271965	Belt Shifter Shaft Bracket Stop	
10	158(805)	Belt Shifter Shaft Bracket Extension Screw	
11	350339(805)	Belt Shifter Shaft Bracket Screw Stud	2
12	350288(806)	Belt Shifter Shaft Bracket Hinge Screw	
13	191(806)	Belt Shifter Shaft Bracket Stop Screw	
14	23554	Belt Shifter Shaft Bracket Spring	
15	59(804)	Speed Adjusting Lever Hinge Screw	
16	202248	Speed Adjusting Lever Hinge Screw Washer	
17	271802	Speed Adjusting Lever (slow speed)	
18	271803	Speed Adjusting Lever Bracket	
19	1521(819)	Speed Adjusting Lever Hinge Screw Nut	
20	161(804)	Speed Adjusting Lever Bracket Screw	
21	271524	Belt Shifter Shaft	
22	271727	Belt Shifter Shaft Bracket	
23	271950	Belt Shifter Shaft Spring	
24	249861	Belt Shifter Shaft Guide Collar with 237(804)	
25	237(804)	Belt Shifter Shaft Guide Collar Set Screw	
26	271523	Belt Shifter Operating Block with 350287(806)	
27	350287(806)	Belt Shifter Operating Block Set Screw	
28	23520	Tension (side of arm) Releaser Shaft	
29	2269	Belt Shifter Shaft Guide Collar Position Pin	
30	271925	Tension (side of arm) Releaser Shaft Crank	
31	39882	Belt Shifter Stop Washer (nylon)	
32	2269	Tension (side of arm) Releaser Shaft Crank Pin	
33	271977	Belt Shifter with 350287(806)	
34	350287(806)	Belt Shifter Set Screw	
35	271654	Tension (side of arm) Releaser Arm	
36	679(803)	Tension (side of arm) Releaser Shaft Crank Ball Screw Stud	
37	1520(809)	Tension (side of arm) Releaser Shaft Crank Ball Screw Stud Nut	
38	271655	Tension (side of arm) Releaser Arm Pin (spirol)	



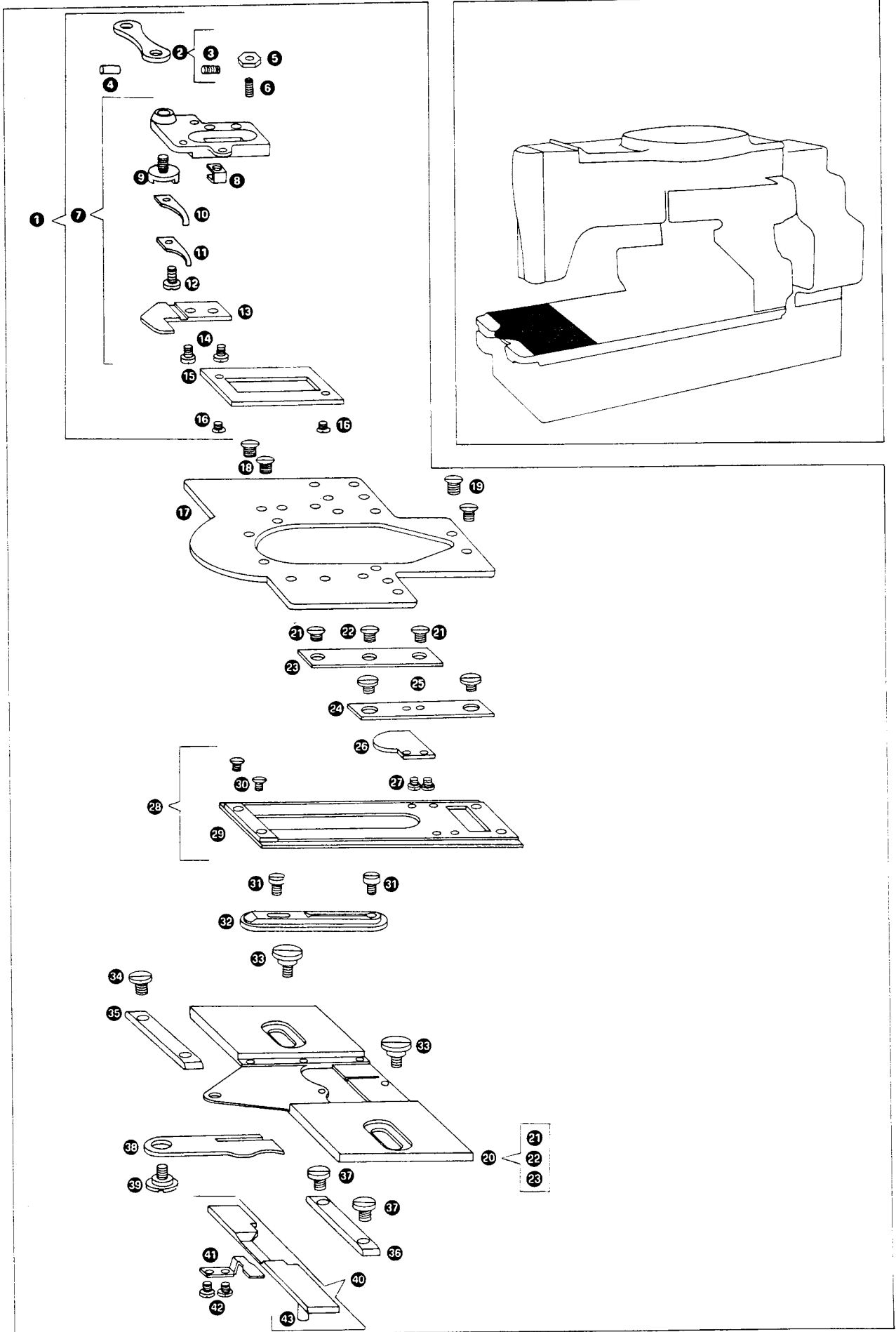
Parts List for 271K11 Machine

Ref. No.	Part No. For Ordering	Description	Amt. Req.
1	61(806)	Starting Lever Rod Hinge Screw	
2	124(803)	Starting Lever Stop Screw	
3	1508(813)	Starting Lever Screw Centre Nut	
4	564(803)	Starting Lever Screw Centre	
5	58384	Starting Lever Screw Centre with 1508(813)	
6	271937	Starting Lever Bracket	
7	1469(803)	Tension (side of arm) Releaser Lever Stop Screw Stud	
8	8582	Starting Lever Bracket Dowel Pin	2
9	123(805)	Starting Lever Bracket Screw	
10	1655(803)	Belt Shifter Operating Actuator Lock Nut	
11	350287(806)	Belt Shifter Operating Actuator Set Screw	
12	271522	Belt Shifter Operating Actuator	
13	717(833)	Starting Lever Adjusting Screw	
14	1520(809)	Starting Lever Adjusting Screw Nut	
15	271938	Starting Lever with 913(806) and 1638(804)	
16	1518(809)	Starting Lever Stop Screw Nut	
17	1241(804)	Tension (side of arm) Releaser Lever Spring Screw Stud	
18	350235(804)	Sewing Safety Lock Pitman Hinge Screw (back)	
19	271968	Stop Cam Interlocking Rod Guide with 51952	
20	51952	Knife Bar Driving Lever (intermediate) Roller and Screw Stud with 1904 and 250491	
21	1904	Knife Bar Driving Lever (intermediate) Roller Cap Screw	
22	250491	Knife Bar Driving Lever (intermediate) Roller Cap Screw Washer	
23	39988	Stop Cam Interlocking Rod Guide Washer (nylon)	
24	271940	Stop Cam Interlocking Rod Guide with 1619(850) and 350635(830)	
25	350635(850)	Stop Cam Interlocking Rod Guide Set Screw	
26	1619(819)	Stop Cam Interlocking Rod Guide Set Screw Lock Nut	
27	21651	Stop Cam Interlocking Rod Spring	
28	249741	Stop Cam Interlocking Rod	
29	1638(804)	Stop Cam Interlocking Rod Spring Regulating Thumb Screw Nut	
30	913(806)	Stop Cam Interlocking Rod Spring Regulating Thumb Screw	
31	271627	Sewing Safety Lock Actuating Cam Plate	
32	181(804)	Sewing Safety Lock Actuating Cam Plate Screw	2
33	271626	Sewing Safety Lock Actuating Cam	
34	980(803)	Sewing Safety Lock Actuating Cam Hinge Screw	
35	980(803)	Sewing Safety Lock Pitman Hinge Screw (front)	
36	271633	Sewing Safety Lock Pitman complete Nos. 249947, 271632, two each 914(806) and 39541	
37	271632	Sewing Safety Lock Pitman (rear section)	2
38	249947	Sewing Safety Lock Pitman (front section)	
39	39541	Sewing Safety Lock Pitman Screw Washer	
40	914(806)	Sewing Safety Lock Pitman Screw	
41	868(805)	Arm Screw (front)	2
42	748(805)	Arm Screw (back)	2
43	8582	Arm Dowel Pin	2



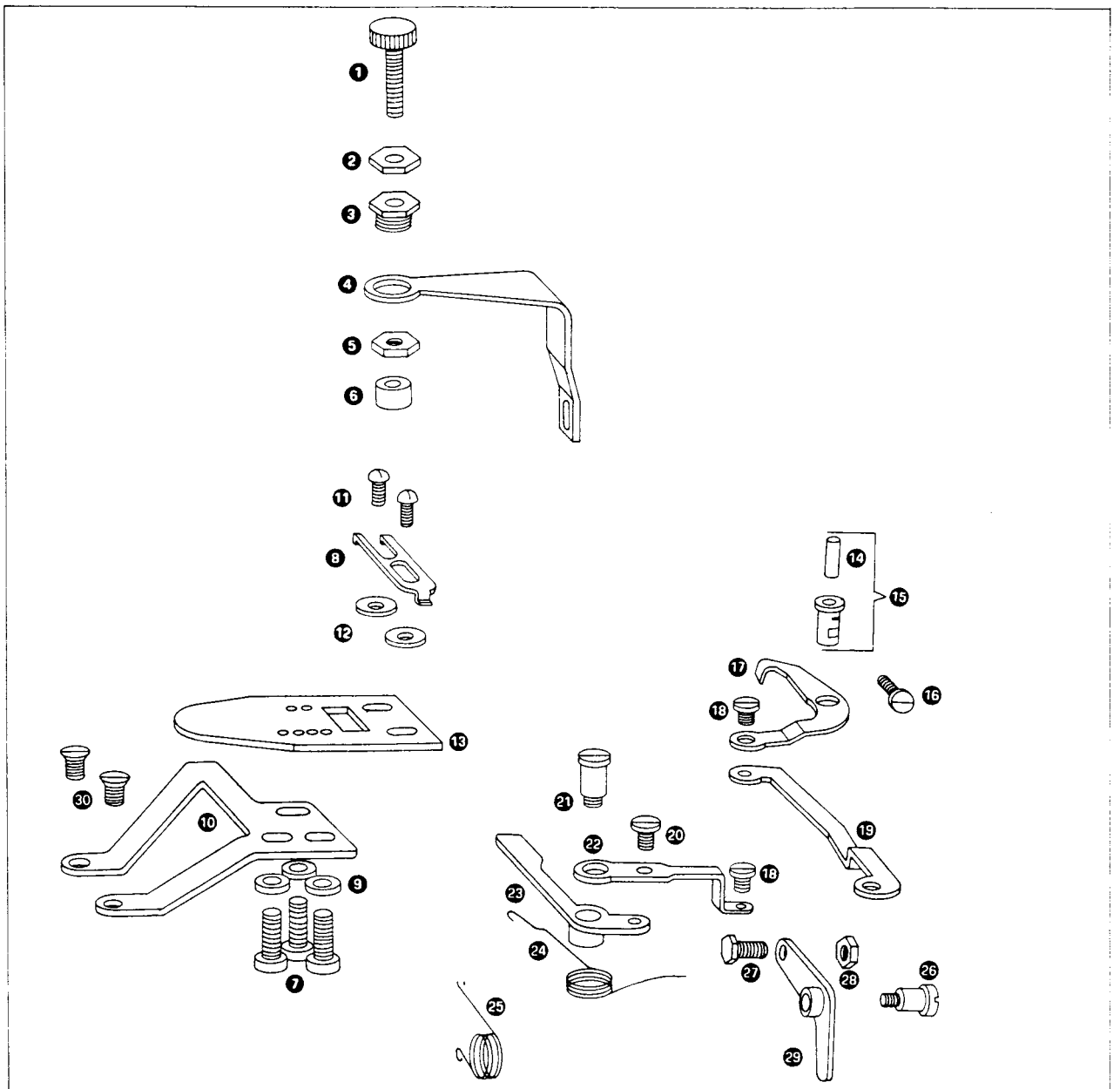
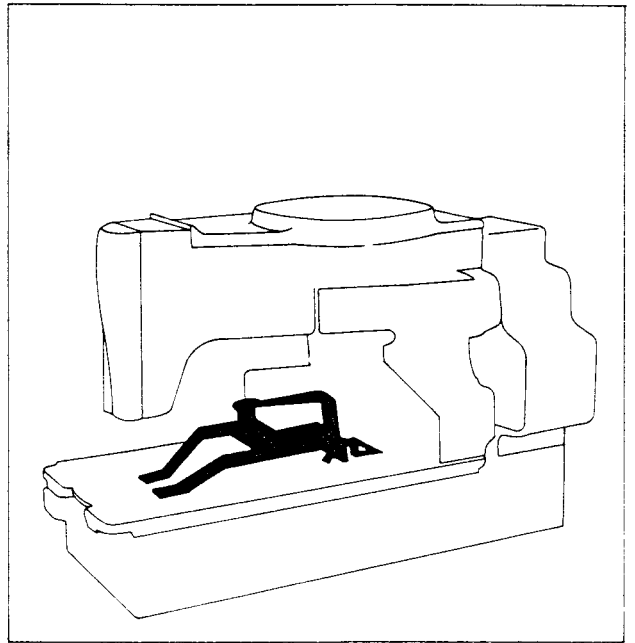
Parts List for 271K11 Machine

Ref. No.	Part No. For Ordering	Description	Amt. Req.
1	23140	Clamp Check complete	
2	271685	Thread (upper) Cutting Blade Shaft Crank with 906(833)	
3	906(833)	Thread (upper) Cutting Blade Shaft Crank Set Screw	
4	232105	Thread (upper) Cutting Blade Shaft Crank Pin	
5	1772(819)	Clamp Check Thread Clamping Pressure Spring Adjusting Screw (Nut)	
6	702(805)	Clamp Check Thread Clamping Pressure Spring Adjusting Screw	
7	23139	Clamp Check with 23138 and two 237(804)	
8	271483	Clamp Check Thread Clamping Pressure Spring	
9	249827	Thread (upper) Cutting Blade Shaft	
10	249977	Thread (upper) Cutting Blade	
11	249976	Thread (upper) Clamping Plate	
12	219(806)	Thread (upper) Cutting Blade Screw	
13	23138	Clamp Check Section and Cutting Plate	
14	237(804)	Clamp Check Section and Cutting Plate Screw	2
15	271465	Clamp Check Mat Housing with 3/32 inch Rubber Mat	
16	50093(806)	Clamp Check Mat Housing Screw	2
17	249753	Clamp Carrier Plate	
18	404(804)	Clamp Carrier Plate Screw (front)	2
19	1231(806)	Clamp Carrier Plate Screw (back)	2
20	271921	Clamp Carrier Slide with 1345(804), 271920 and two 756(804)	
21	756(804)	Clamp Carrier Guide (left) Screw (long)	2
22	1345(804)	Clamp Carrier Guide (left) Screw (short)	
23	271920	Clamp Carrier Guide (left)	
24	271922	Clamp Carrier Guide (right)	
25	1230(806)	Clamp Carrier Guide (right) Screw	2
26	271805	Thread (lower) Cutting Blade Friction Plate	
27	228(806)	Thread (lower) Cutting Blade Friction Plate Screw	2
28	23116	Clamp Carrier with 249735 and two 934(819)	
29	249735	Clamp Carrier Stay Plate	
30	934(819)	Clamp Carrier Stay Plate Screw	2
31	350234(804)	Needle Plate Screw	2
32	271947	Needle Plate	
33	1256(804)	Clamp Carrier Slide Screw	2
34	1094(803)	Clamp Carrier Slide Guide (left) Screw	2
35	271893	Clamp Carrier Slide Guide (left)	
36	271894	Clamp Carrier Slide Guide (right)	
37	1094(803)	Clamp Carrier Slide Guide (right) Screw	2
38	271749	Thread (lower) Pull-off	
39	141557(803)	Thread (lower) Pull-off Hinge Screw	
40	271780	Thread (lower) Cutting Blade Carrier with 40038	
41	271926	Thread (lower) Cutting Blade	
42	240(804)	Thread (lower) Cutting Blade Screw	2
43	40038	Thread (lower) Cutting Blade Carrier Stud	



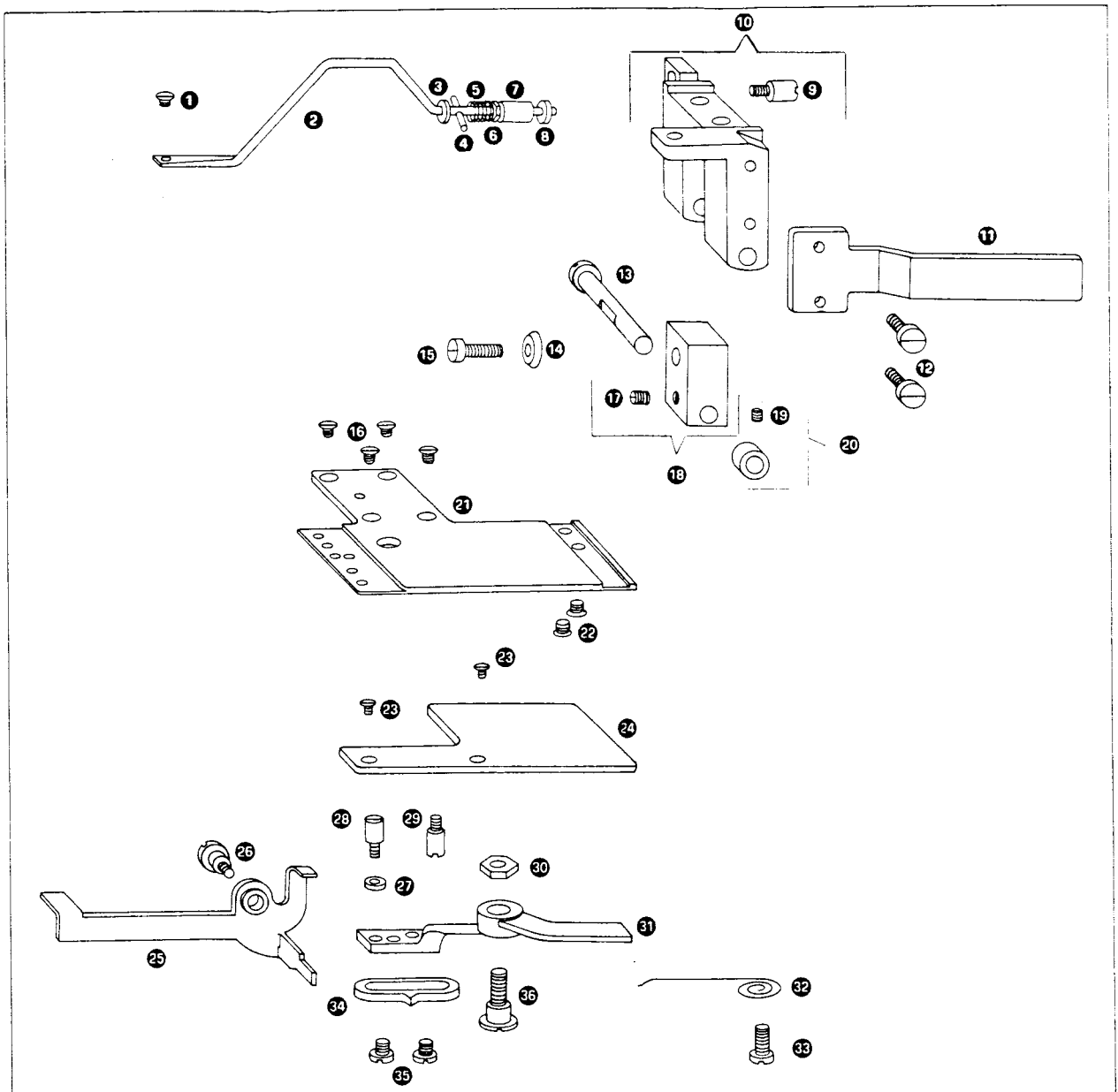
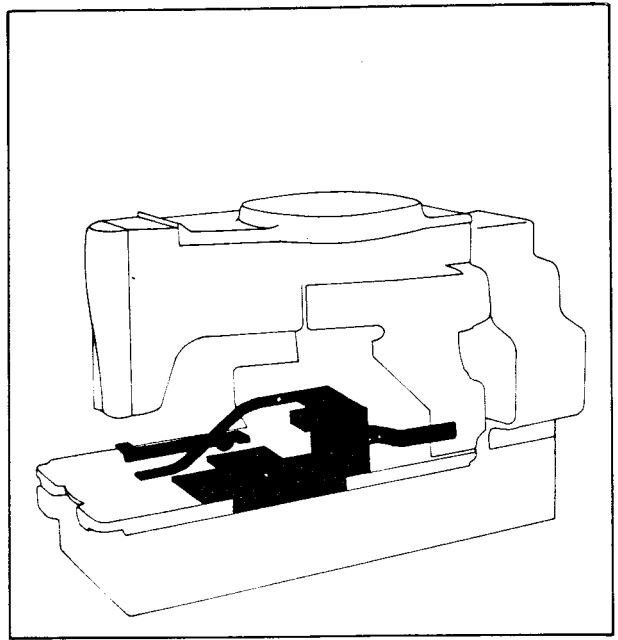
Parts List for 271K11 Machine

Ref. No.	Part No. For Ordering	Description	Amt. Req.
1	50221(804)	Clamp Spring Thumb Screw (pressure regulating)	
2	1521(805)	Clamp Spring Thumb Screw Lock Nut	
3	271702	Clamp Spring Thumb Screw Sleeve	
4	271450	Clamp Spring	
5	1623(819)	Clamp Spring Thumb Screw Sleeve Nut	
6	271546	Clamp Spring Thumb Screw Rest	
7	1083(830)	Clamp Arm Screw	3
8	271487	Thread (upper) Cutting Blade Connecting Rod Return Spring Adjusting Plate	
9	39541	Clamp Arm Screw Washer	3
10	271851	Clamp Arm	
11	141554(830)	Clamp Arm Plate Screw	2
12	202622	Clamp Arm Plate Screw Washer	2
13	271852	Clamp Arm Plate	
14	263572	Thread (upper) Cutting Cam Follower Hinge Stud Oil Packing (wick)	
15	232709	Thread (upper) Cutting Cam Follower Hinge Stud with 263572	
16	160(819)	Thread (upper) Cutting Cam Follower Hinge Stud Set Screw	
17	271687	Thread (upper) Cutting Cam Follower	
18	350265(803)	Thread (upper) Cutting Lever Connection Link Hinge Screw	2
19	271690	Thread (upper) Cutting Lever Connection Link	
20	350459(804)	Thread (upper) Cutting Lever Connection Screw	
21	141558(833)	Thread (upper) Cutting Lever Hinge Screw	
22	271689	Thread (upper) Cutting Lever Connection (adjustable)	
23	271688	Thread (upper) Cutting Lever	
24	271806	Thread (upper) Cutting Blade Connecting Rod Return Spring	
25	271680	Thread (upper) Cutting Blade Connecting Rod Latch Spring	
26	140071(803)	Thread (upper) Cutting Blade Connecting Rod Latch Hinge Screw	
27	141575(803)	Thread (upper) Cutting Blade Connecting Rod Latch Releasing Screw	
28	201711(803)	Thread (upper) Cutting Blade Connecting Rod Latch Releasing Screw Nut	
29	271679	Thread (upper) Cutting Blade Connecting Rod Latch	
30	1297	Clamp Check Screw	2



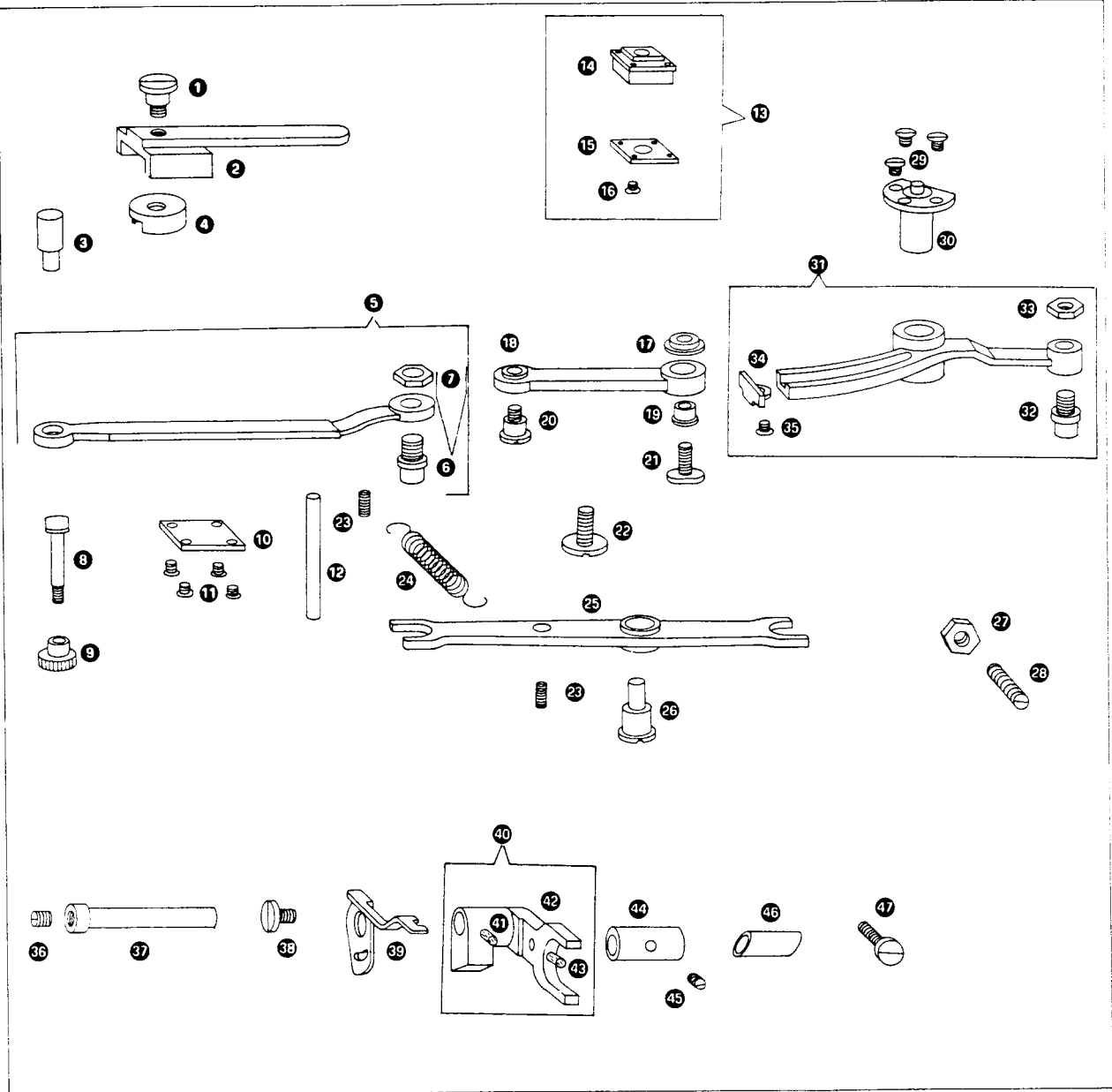
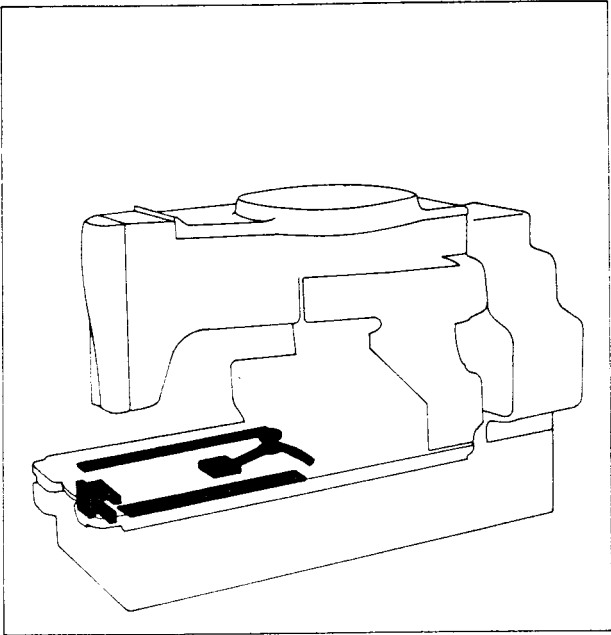
Parts List for 271K11 Machine

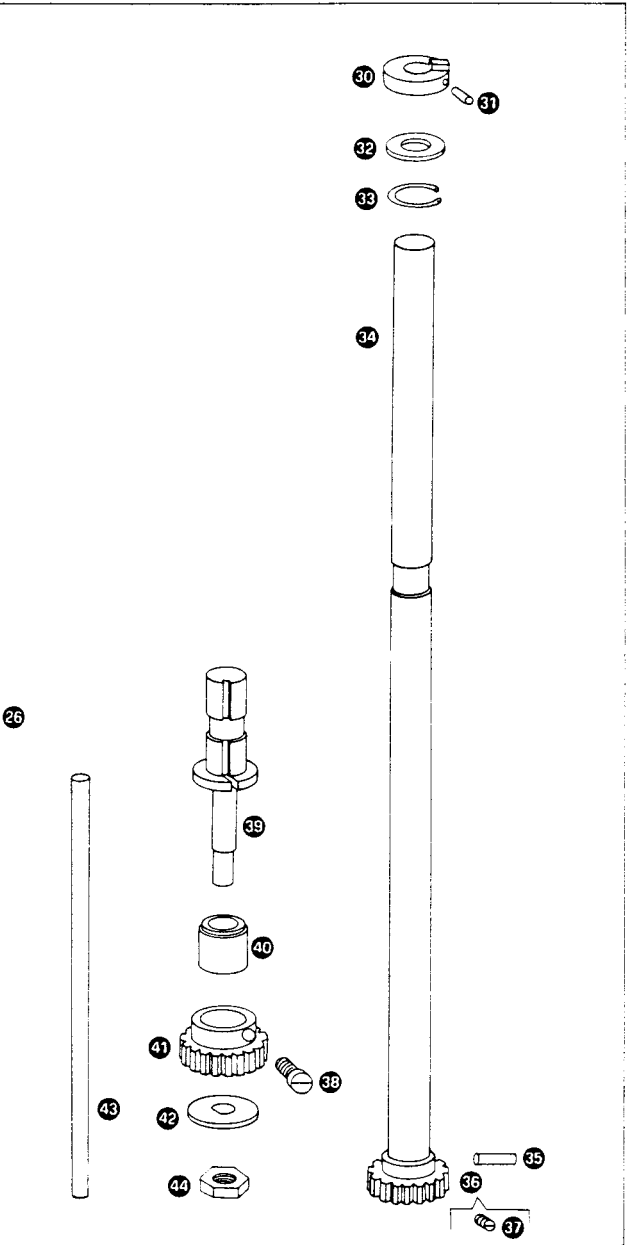
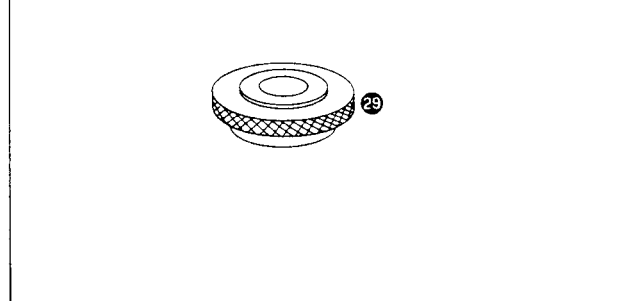
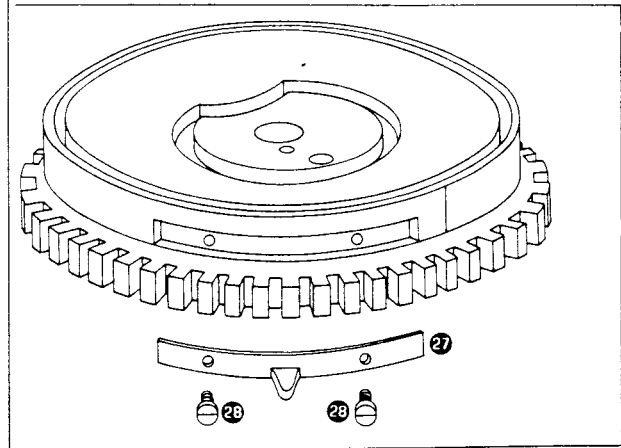
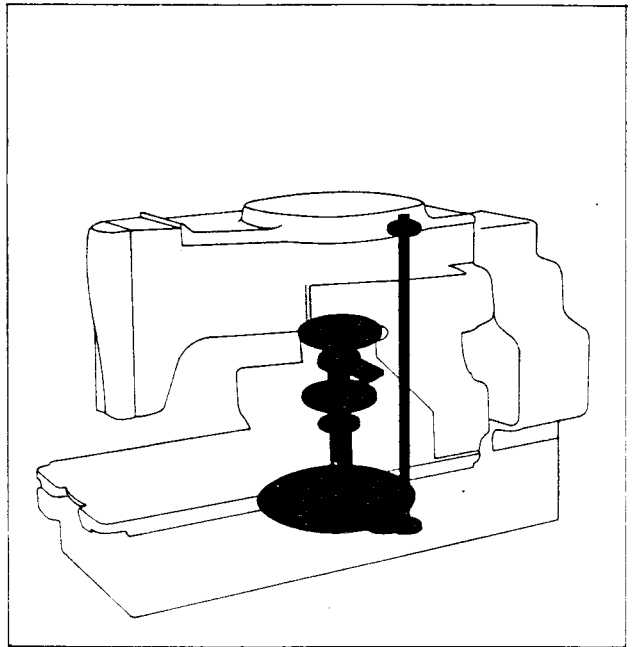
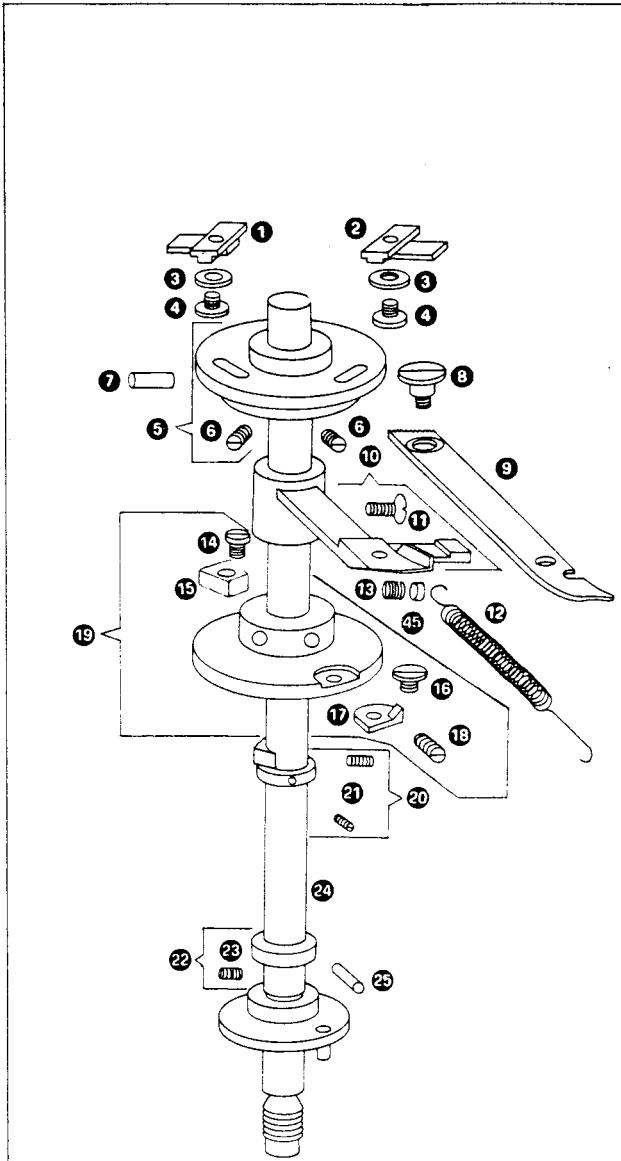
Ref. No.	Part No. For Ordering	Description	Amt. Req.
1	201476(803)	Thread (upper) Cutting Blade Connecting Rod Hinge Screw	
2	271857	Thread (upper) Cutting Blade Connecting Rod	
3	228026	Thread (upper) Cutting Blade Connecting Rod Washer	
4	2273	Thread (upper) Cutting Blade Connecting Rod Position Pin	
5	271691	Thread (upper) Cutting Lever Spring	
6	201624(803)	Thread (upper) Cutting Blade Connecting Rod Stop Lock Nut	
7	271684	Thread (upper) Cutting Blade Connecting Rod Stop (adjustable)	
8	40045	Thread (upper) Cutting Blade Connecting Rod Stop Washer (nylon)	
9	201437(803)	Thread (upper) Cutting Blade Connecting Rod Latch Spring Stop Screw Stud	
10	271532	Clamp Arm Hinge Block with 201437(803)	
11	271539	Clamp Lifting Arm	
12	690(804)	Clamp Lifting Arm Screw	2
13	271533	Clamp Arm Hinge Block Pin	
14	23390	Clamp Spring Screw Washer	
15	157(806)	Clamp Spring Screw	
16	1235(806)	Clamp Plate Screw	4
17	889(830)	Clamp Arm Hinge Block Pin Set Screw	
18	271543	Clamp Plate Block with 889(830)	
19	50150(830)	Clamp Arm Hinge Block Pin Collar Set Screw	
20	271792	Clamp Arm Hinge Block Pin Collar with 50150(830)	
21	271542	Clamp Plate	
22	397(805)	Clamp Plate Block Screw	2
23	50156(804)	Clamp Plate Support Screw	2
24	271544	Clamp Plate Support	
25	249922	Stop Lever	
26	50416(806)	Stop Lever Hinge Screw	
27	250444	Feed Wheel Tripping Lever Screw Stud Washer	
28	646(806)	Feed Wheel Tripping Lever Screw Stud	
29	184(805)	Feed Wheel Tripping Lever Stop Screw	
30	1620(805)	Feed Wheel Tripping Lever Hinge Screw Nut	
31	271933	Feed Wheel Tripping Lever	
32	23435	Feed Wheel Tripping Lever Spring	
33	190(804)	Feed Wheel Tripping Lever Spring Screw	
34	271951	Feed Wheel Tripping Lever Point	
35	203(803)	Feed Wheel Tripping Lever Point Screw	2
36	350237(803)	Feed Wheel Tripping Lever Hinge Screw	



Parts List for 271K11 Machine

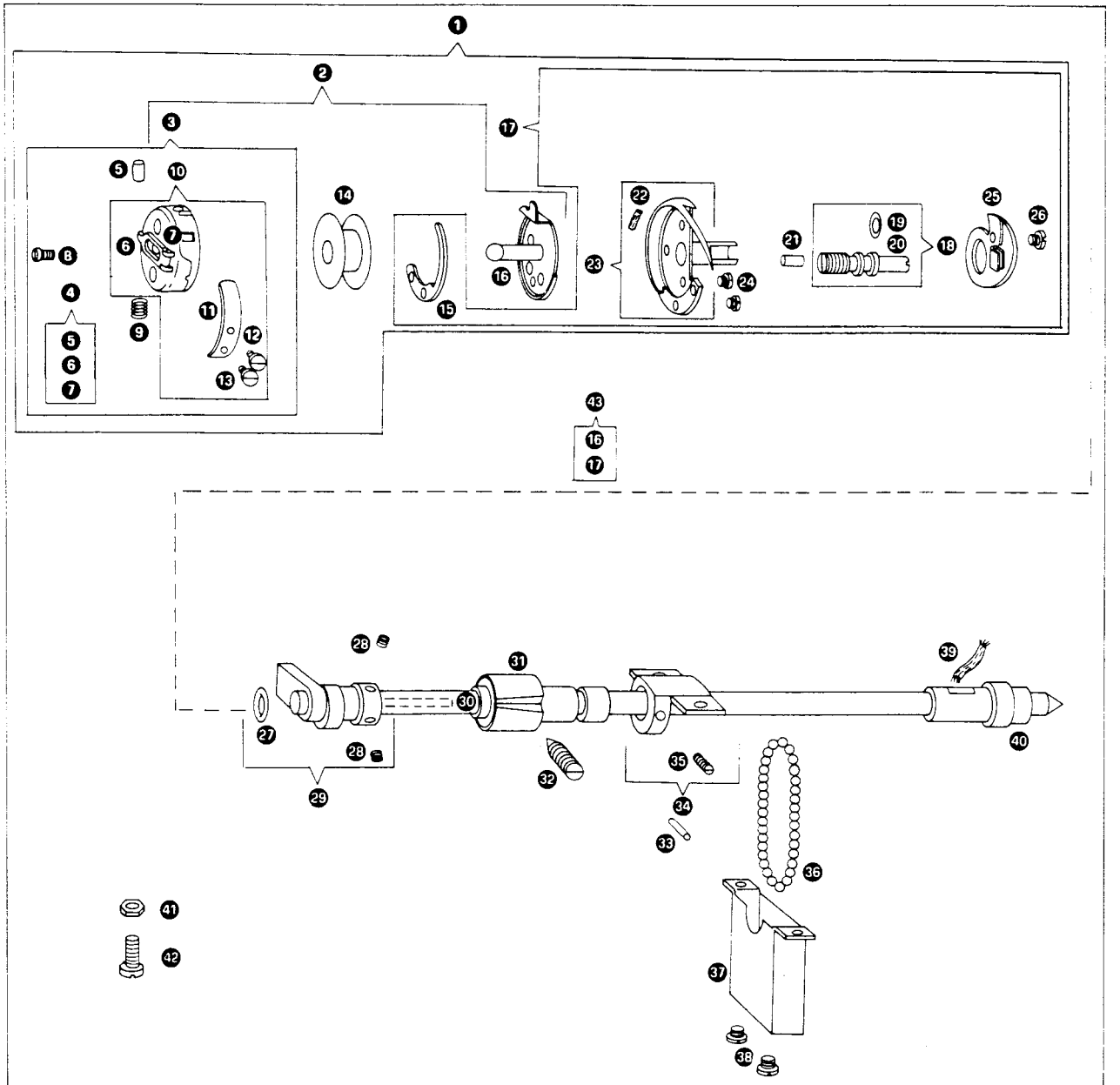
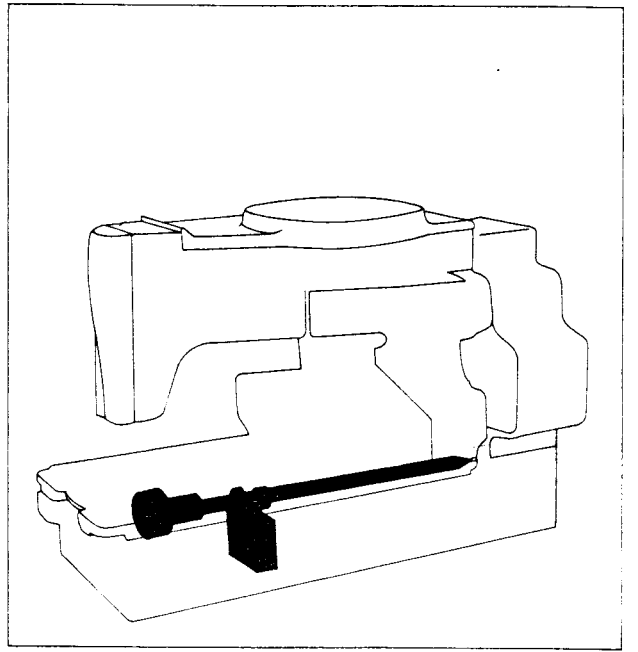
Ref. No.	Part No. For Ordering	Description	Amt. Req.
1	67(804)	Clamp Carrier Slide Lever Regulator Screw	
2	271895	Clamp Carrier Slide Lever Regulator	
3	271896	Clamp Carrier Slide Regulating Stud Bushing	
4	271891	Clamp Carrier Slide Lever Socket Joint	
5	99777	Clamp Carrier Slide Lever with 113314	
6	113314	Clamp Carrier Slide Lever Screw Stud with 1520(809)	
7	1520(809)	Clamp Carrier Slide Lever Roller and Screw Stud Nut	
8	1234(803)	Clamp Carrier Slide Regulating Stud	
9	1658(803)	Clamp Carrier Slide Regulating Stud Thumb Nut	
10	23396	Clamp Carrier Slide Lever Regulator Cap	
11	223(804)	Clamp Carrier Slide Lever Regulator Cap Screw	4
12	271799	Oil Supply Tube	
13	106152	Clamp Carrier Block with 40007, and four 404(804)	
14	106151	Clamp Carrier Block	
15	40007	Clamp Carrier Block Plate	
16	404(804)	Clamp Carrier Block Plate Screw	4
17	1671(803)	Clamp Carrier Regulator Stud Nut	
18	271892	Clamp Carrier Connecting Rod	
19	39532	Clamp Carrier Regulator Stud Sleeve	
20	52(803)	Clamp Carrier Connecting Rod Hinge Screw	
21	141597(803)	Clamp Carrier Regulator Stud	
22	141675(803)	Clamp Carrier Regulator Cap Screw	
23	1241(804)	Thread (lower) Cutting Blade Carrier Lever Spring Screw Stud	2
24	249534	Thread (lower) Cutting Blade Carrier Lever Spring	
25	271800	Thread (lower) Cutting Blade Carrier Lever	
26	32(806)	Thread (lower) Cutting Blade Carrier Lever Hinge Screw	
27	1520(809)	Thread (lower) Cutting Blade Carrier Lever Stop Screw Nut	
28	435(833)	Thread (lower) Cutting Blade Carrier Lever Stop Screw	
29	742(819)	Clamp Carrier Regulator Bearing Screw	3
30	271535	Clamp Carrier Regulator Bearing	
31	99774	Clamp Carrier Regulator with 240(804), 39583 and 113314	
32	113314	Clamp Carrier Regulator Screw Stud with 1520(809)	
33	1520(809)	Clamp Carrier Regulator Roller and Screw Stud Nut	
34	39583	Clamp Carrier Regulator Stud Stop	
35	240(804)	Clamp Carrier Regulator Stud Stop Screw	
36	271833	Bobbin Case Opener Bracket Oil Regulating Screw Stud	
37	271832	Bobbin Case Opener Bracket Hinge Stud	
38	141678(805)	Bobbin Case Stop Screw	
39	271418	Bobbin Case Stop	
40	271527	Bobbin Case Opener Bracket with 271828, 271829, 271974	
41	271974	Bobbin Case Opener Bracket Hinge Stud Oiling Felt	
42	271829	Bobbin Case Opener Bracket Oiling Felt Pin	
43	271828	Bobbin Case Opener Bracket Oiling Felt	
44	271417	Bobbin Case Opener Bracket Adjusting Collar	
45	50379	Bobbin Case Opener Bracket Adjusting Collar Set Screw	
46	271741	Bobbin Case Opener Bracket Hinge Stud Oil Drip Guide	
47	141602(803)	Bobbin Case Opener Bracket Hinge Stud Position Screw	





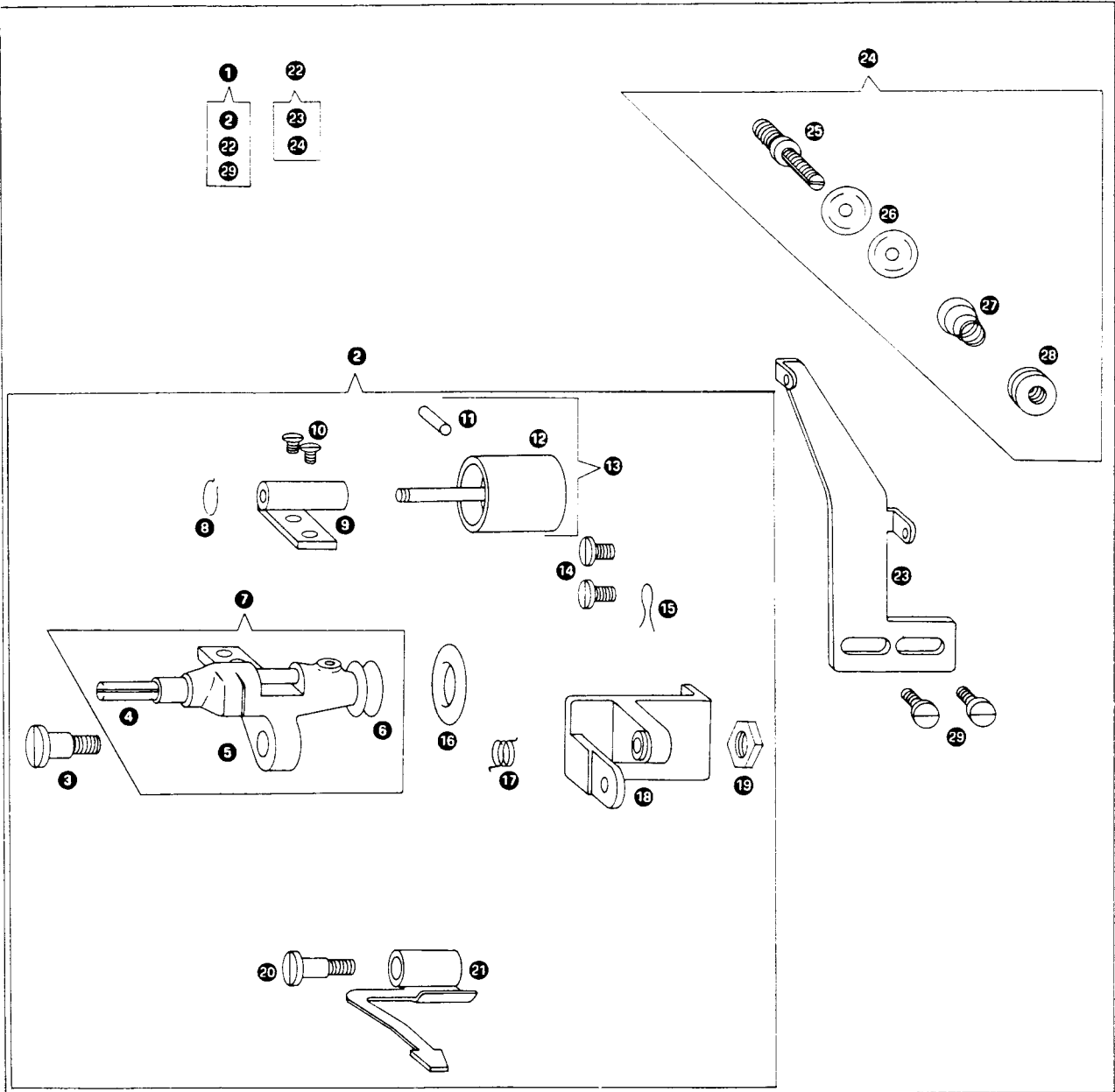
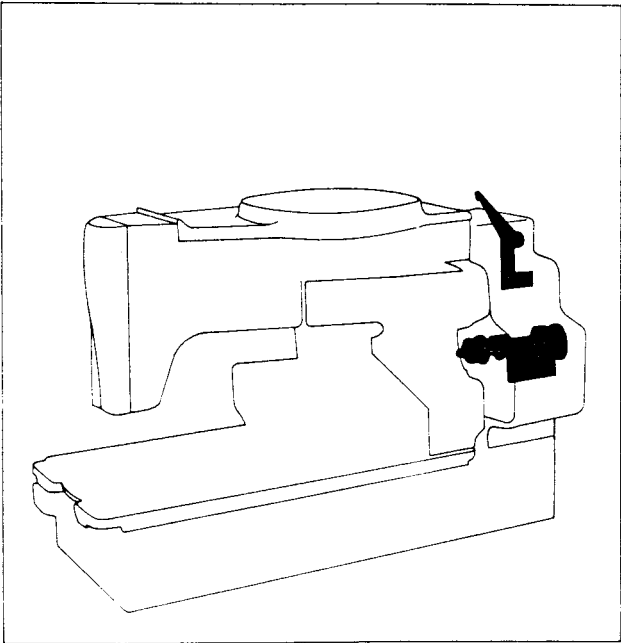
Parts List for 271K11 Machine

Ref. No.	Part No. For Ordering	Description	Amt. Req.
1	249801	Barring Plate (first bar)	
2	249804	Barring Plate (second bar)	
3	206482	Barring Plate Screw Washer	2
4	350229(805)	Barring Plate Screw	2
5	271515	Barring Plate Cam with two 448(833)	
6	448(833)	Barring Plate Cam Set Screw	2
7	40025	Barring Plate Cam Position Pin	
8	50057(804)	Feed Hand Ratchet Lever Hinge Screw	
9	271757	Feed Hand Ratchet Lever	
10	271758	Feed Hand Ratchet Lever Bracket with 1241(804)	
11	1241(804)	Feed Hand Ratchet Lever Bracket Spring Screw Stud	
12	271772	Feed Hand Ratchet Lever Bracket Spring	
13	453(830)	Feed Hand Ratchet Lever Hinge Screw Lock Screw	
14	175(805)	Knife Bar Disengaging Lever Catch Tripping Point Screw	
15	23466	Knife Bar Disengaging Lever Catch Tripping Point	
16	756(805)	Belt Shifter Trip Point Screw	
17	249863	Belt Shifter Trip Point	
18	448(833)	Knife Bar Disengaging Lever Catch Tripping Point Collar Set Screw	2
19	249869	Knife Bar Disengaging Lever Catch Tripping Point Collar with 175(805), 756(805), 23466, 249863 and two 448(833)	
20	271686	Thread (upper) Cutting Cam with two 458(833)	
21	458(833)	Thread (upper) Cutting Cam Set Screw	
22	271573	Feed Wheel Shaft Thrust Collar with 460(830)	2
23	460(830)	Feed Wheel Shaft Thrust Collar Set Screw	
24	271927	Feed Wheel Shaft	
25	9046	Feed Wheel Shaft Thrust Collar Position Pin	
26	271834	Feed Wheel with 271795 and two 141563(805)	
27	271795	Feed Wheel Tripping Point	
28	141563(805)	Feed Wheel Tripping Point Screw	2
29	201668(805)	Feed Wheel Clamping Nut	
30	271649	Stitch Regulating Gear Driver	
31	239515	Stitch Regulating Gear Driver Pin (spiral)	
32	271569	Feed Wheel Driving Shaft Washer	
33	265672	Feed Wheel Driving Shaft Retaining Ring	
34	271565	Feed Wheel Driving Shaft	
35	239515	Feed Wheel Driving Shaft Gear Position Pin (spiral)	
36	271566	Feed Wheel Driving Shaft Gear with 904(830)	
37	904(830)	Feed Wheel Driving Shaft Gear Position Screw	
38	141024(803)	Feed Wheel Driving Shaft Gear (intermediate) Stud Set Screw	
39	22966	Feed Wheel Driving Shaft Gear (intermediate) Stud	
40	22964	Feed Wheel Driving Shaft Gear (intermediate) Bushing	
41	22963	Feed Wheel Driving Shaft Gear (intermediate)	
42	22965	Feed Wheel Driving Shaft Gear (intermediate) Bushing Washer	
43	235706	Feed Wheel Driving Shaft Oiling Wick	
44	51652(805)	Feed Wheel Driving Shaft Gear (intermediate) Bushing Washer Lock Nut	
45	204479	Feed Hand Ratchet Lever Hinge Screw Lock Screw Insert	



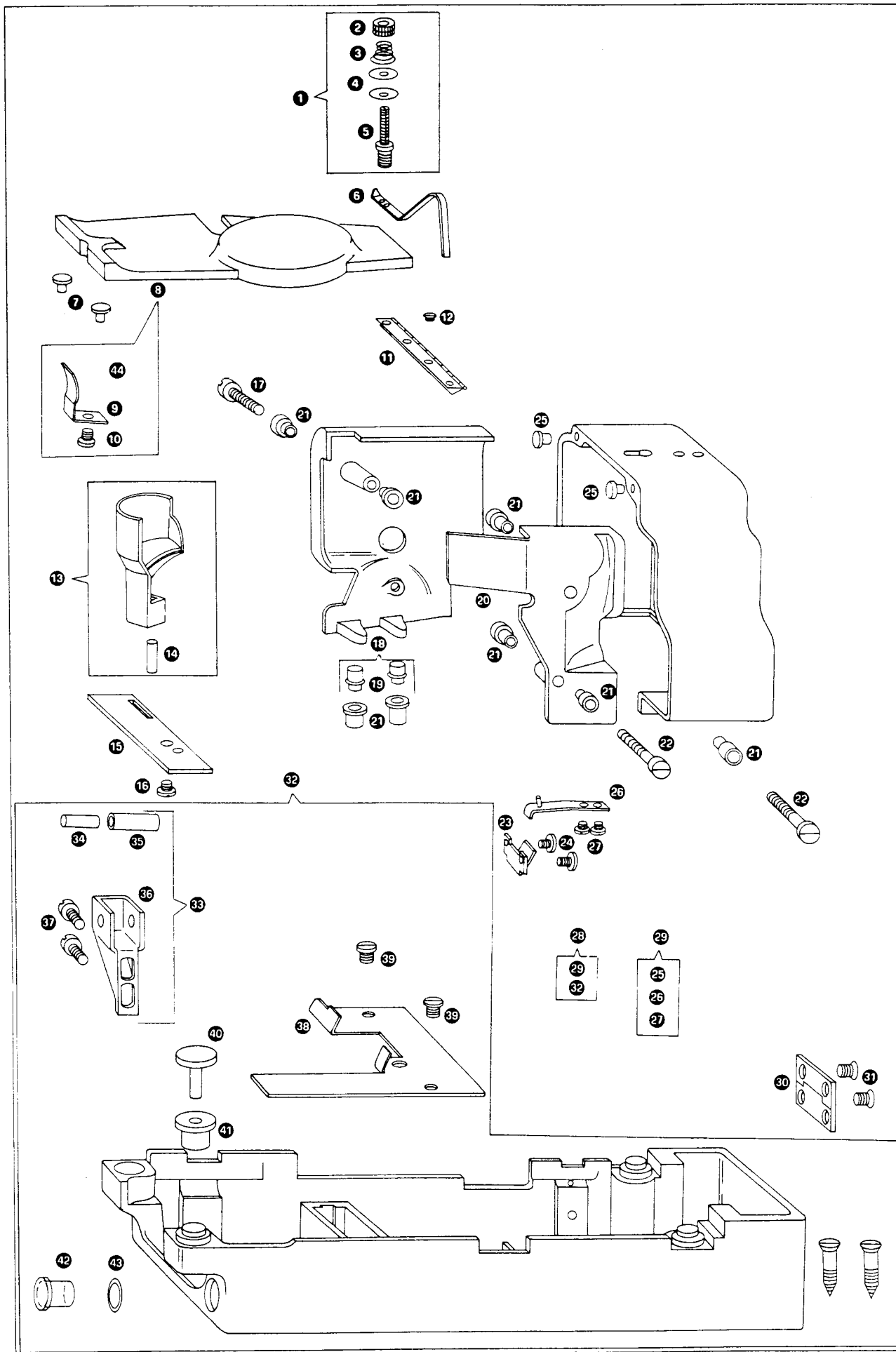
Parts List for 271K11 Machine

Ref. No.	Part No. For Ordering	Description	Amt. Req.
1	107122	Hook Sewing and Bobbin Case complete	
2	107120	Bobbin Case complete	
3	107118	Bobbin Case Cap complete	
4	271787	Bobbin Case Latch with 210734 and 210735	
5	210735	Bobbin Case Latch Fulcrum Pin	
6	271786	Bobbin Case Latch	
7	210734	Bobbin Case Latch Lever	
8	592(805)	Bobbin Case Latch Stop Screw	
9	210736	Bobbin Case Latch Spring	
10	107116	Bobbin Case Cap with 591(806), 106426 and 141514(803)	
11	106426	Bobbin Case Tension Spring	
12	141514(803)	Bobbin Case Tension Spring Regulating Screw	
13	591(806)	Bobbin Case Tension Spring Screw	
14	233028	Bobbin	
15	106190	Hook Gib	
16	271419	Bobbin Case Base	
17	106267	Hook (sewing) with 106190, 141507, 210541, 271471, 271593 and two 141525	
18	271471	Hook Oil Control Screw Stud with 271808	
19	271808	Hook Oil Control Screw Stud Seal Ring (rubber)	
20	271592	Hook Oil Control Screw Stud	
21	271593	Hook Oil Control Screw Stud Pin	
22	502535	Hook Oiling Felt	
23	106189	Hook Sewing with 502535	
24	141525(806)	Hook Gib Screw	2
25	210541	Hook Washer Needle Guard	
26	141507(803)	Hook Washer Needle Guard Screw	
27	244746	Hook Oil Seal Ring (rubber)	
28	141547(830)	Hook Set Screw	2
29	271585	Hook Driving Shaft with 244746 and two 141547(830)	
30	271788	Hook Driving Shaft Oil Packing (wick)	
31	271456	Hook Driving Shaft Bushing (front) (adjustable)	
32	141629(830)	Hook Driving Shaft Bushing (front) (adjustable) Set Screw	
33	271591	Hook Driving Shaft Oil Tube (brass)	
34	271475	Hook Driving Shaft Oil Chain Guard (upper) with 350595(850)	
35	350595(850)	Hook Driving Shaft Oil Chain Guard (upper) Set Screw	
36	271589	Hook Driving Shaft Oil Chain (endless)	
37	271474	Hook Driving Shaft Oil Chain Guard (lower)	
38	50579(805)	Hook Driving Shaft Oil Chain Guard (lower) Screw	2
39	271830	Hook Driving Shaft Bushing (back) Oil Packing (wick)	
40	271586	Hook Driving Shaft Bushing (back)	
41	53569(805)	Bed Leg Extension (adjustable) Lock Nut	
42	141659(805)	Bed Leg Extension (adjustable) Screw	
43	106268	Hook (sewing) with 271419	



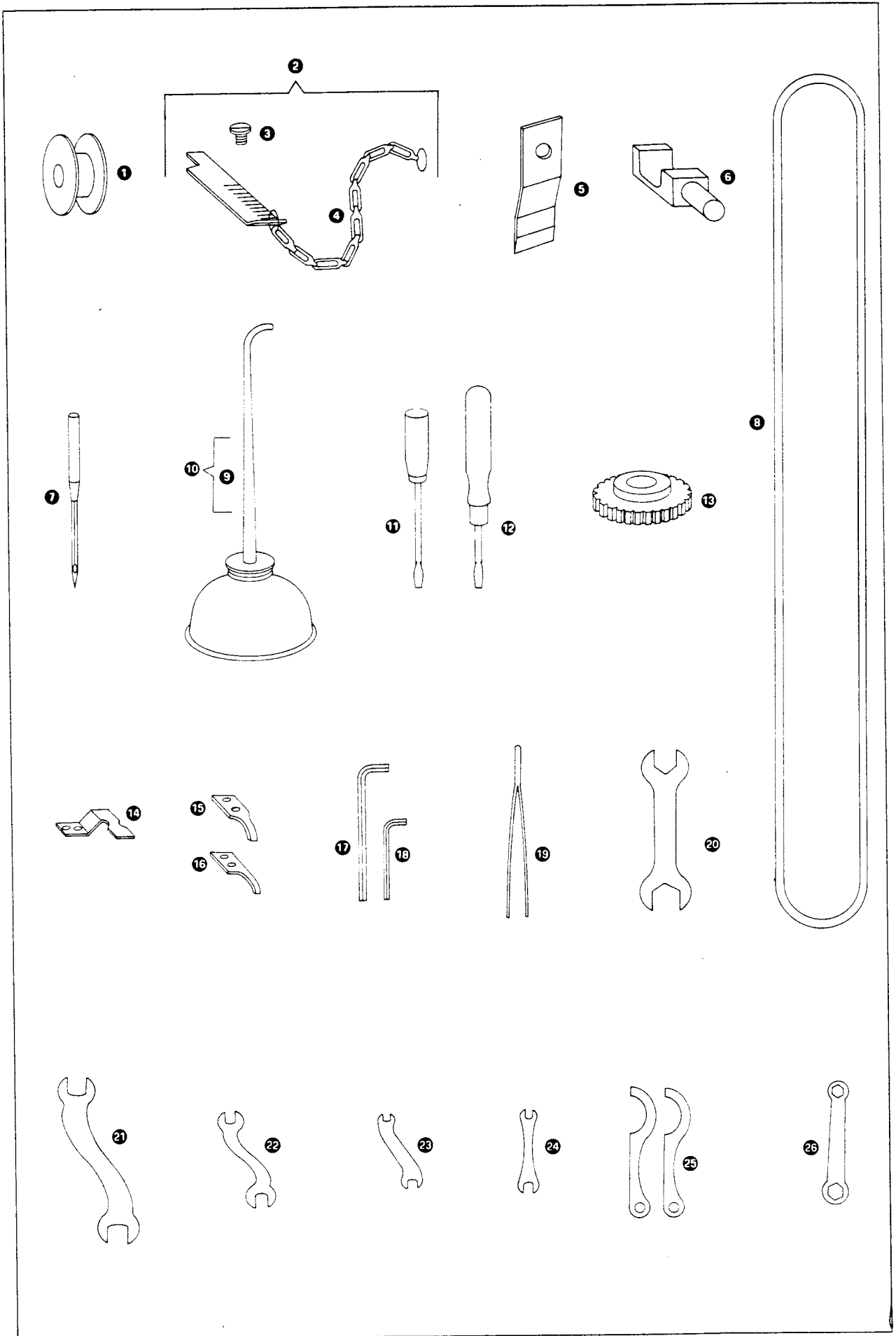
Parts List for 271K11 Machine

Ref. No.	Part No. For Ordering	Description	Amt. Req.
1	271717	Bobbin Winder with Thread Guide complete	
2	271713	Bobbin Winder complete	
3	50356(804)	Bobbin Winder Frame Hinge Screw	
4	235345	Bobbin Winder Spindle	
5	271705	Bobbin Winder Frame	
6	271711	Bobbin Winder Spindle Pulley	
7	271706	Bobbin Winder Frame with 225345 and 271711	
8	239241	Bobbin Winder Pulley Shaft Retaining Ring	
9	271709	Bobbin Winder Pulley Bracket	
10	171(831)	Bobbin Winder Pulley Bracket Screw	2
11	271710	Bobbin Winder Pulley Shaft	
12	271707	Bobbin Winder Pulley	
13	271708	Bobbin Winder Pulley with 271710	
14	160(804)	Bobbin Winder Base Screw	2
15	240245	Bobbin Winder Base Screw Retaining Spring	
16	271798	Bobbin Winder Friction Ring (rubber)	
17	249716	Bobbin Winder Frame Spring	
18	271704	Bobbin Winder Base	
19	1620(819)	Bobbin Winder Frame Hinge Screw Nut	
20	35(804)	Bobbin Winder Stop Latch Hinge Screw	
21	271712	Bobbin Winder Stop Latch	
22	271715	Bobbin Winder Thread Guide with 271948	
23	271714	Bobbin Winder Thread Guide	
24	271948	Bobbin Winder Tension complete	
25	418(804)	Bobbin Winder Tension Screw Stud	
26	2455	Bobbin Winder Tension Disc	2
27	232515	Bobbin Winder Tension Spring	
28	1562(819)	Bobbin Winder Tension Regulating Thumb Nut	
29	792(804)	Bobbin Winder Thread Guide Screw	2



Parts List for 271K11 Machine

Ref. No.	Part No. For Ordering	Description	Amt. Req.
1	271614	Needle Thread Tension complete	
2	53564(804)	Needle Thread Tension Regulating Thumb Nut	
3	271464	Needle Thread Tension Spring	
4	203962	Needle Thread Tension Disc	2
5	141544(804)	Needle Thread Tension Stud	
6	271488	Needle Thread Tension Guide	
7	228661	Arm Top Cover Cushion (rubber)	2
8	271512	Arm Top Cover with 190(804), 23135 and 271761	
9	271761	Arm Top Cover Lock Spring	
10	190(804)	Arm Top Cover Lock Spring Screw	
11	271514	Arm Top Cover Hinge	
12	934(819)	Arm Top Cover Hinge Screw	8
13	271415	Bed Oil Guard with 249883	
14	249883	Bed Oil Guard Tube (brass)	
15	271536	Clamp Carrier Regulator Slide	
16	1235(806)	Bed Oil Guard Screw	
17	141572(819)	Arm Side Cover (left) Screw	
18	271510	Arm Side Cover (left) with two 271804	
19	271804	Arm Side Cover (left) Position Pin	2
20	271511	Arm Side Cover (right)	
21	271791	Arm Side Cover Insert Cushion (rubber)	8
22	141572(819)	Arm Side Cover (right) Screw	2
23	271752	Belt Guard Lock Spring Catch	
24	176(819)	Belt Guard Lock Spring Catch Screw	2
25	228661	Belt Guard Cushion (rubber)	2
26	271435	Belt Guard Lock Spring	
27	217(805)	Belt Guard Lock Spring Screw	2
28	271726	Machine Base and Belt Guard complete	
29	271718	Belt Guard with 271435, two each 217(805) and 228661	
30	271732	Belt Guard Hinge	
31	389(819)	Belt Guard Hinge Screw	2
32	271721	Machine Base assembly	
33	23162	Machine Hinge Connection Bracket with 271778 and 271779	
34	271778	Machine Hinge Connection Pin (spirol)	
35	271779	Machine Hinge Connection Pin Sleeve (plastic)	
36	271431	Machine Hinge Connection Bracket	
37	50615(819)	Machine Hinge Connection Bracket Screw	2
38	271723	Machine Base Oil Reservoir Cover	
39	203(805)	Machine Base Oil Reservoir Cover Screw	2
40	271762	Machine Base Cushion Cap	
41	271722	Machine Base Cushion (rubber)	
42	243798	Machine Base Oil Level Indicator	
43	243799	Machine Base Oil Level Indicator Oil Seal (neoprene)	
44	23135	Stitch Regulating Gear Chart	



Accessories for 271K11 Machines

Ref. No.	Part No. For Ordering	Description	Amt. Req.
1	233028	Bobbin	2
2	249803	Gauge for setting length of buttonhole with 200137(819) and 249789	
3	200137(819)	Gauge Chain and Ring Screw	
4	249789	Gauge Chain and Ring	
5	98733	Knife 3/8 inch	
	98737	Knife 5/8 inch	
	98739	Knife 3/4 inch	
6	271703	Machine Hinge Connection	2
7	Cat. No. 1526	Needles, Chromium finish, three each sizes 12 and 14	
8	271797	Machine Driving Belt (endless) (5/16 inch diameter—46 inches long)	
9	120346	Oiler (copper plated) with 120347	
10	120347	Oiler Spout, 8-1/2 inches long	
11	161295	Screw Driver (plastic handle) (small)	
12	161294	Screw Driver (plastic handle) (large)	
13	271640	Stitch Regulating Gear 40 teeth	
	271643	Stitch Regulating Gear 48 teeth	
	271636	Stitch Regulating Gear 36 teeth	
	271645	Stitch Regulating Gear 54 teeth	
	271638	Stitch Regulating Gear 36 teeth	
	271642	Stitch Regulating Gear 48 teeth	
14	271926	Thread (lower) Cutting Blade	
15	249976	Thread (upper) Clamping Plate	
16	249977	Thread (upper) Cutting Blade	
17	239353	Wrench	
18	267242	Wrench	
19	255513	Tweezers	
20	21654	Wrench	
21	255541	Wrench	
22	255540	Wrench	
23	23535	Wrench	
24	249820	Wrench	
25	232935	Wrench	
26	249945	Wrench	

Fittings for 271K11 Machine

Ref. No.	Part No. For Ordering	Description	Amt. Req.
Thread Unwinder (for two spools)			
	228776	Thread Unwinder (for two spools) complete, Nos. 228766 to 228768, 228770, 228774, two each 150203, 228764, 228769 and three each 150203, 228764, 228769 and three wood screws 7/8 inch No. 12 R.H.B.	
Miscellaneous Parts used in conjunction with Thread Unwinder			
	27739	Thread Unwinder Thread Cone (wood) (only supplied when specified on order and at an extra charge)	
Motor Mount and Belt Tightener complete			
	151223	Motor Mount and Belt Tightener complete, Nos. 150783, 151066, 151219, 151220, 151221, 151222, two each 9281, 151068, four each 50807(813), eight each 1778(813), 9842 and 126150, for series K-38 (cont. running) Motor, for "V" Belt.	
Driving Equipment			
	228909	Clamp Lifting Chain, 36 inch long, with 39575 and 39576	
	250408	Machine Rest (high) with 232982 and two wood screws 1 inch No. 12	
	228757	Treadle complete, Nos 2718(813), 14372 to 14375, 17881, 50581(813), two each 23250, 51074(813) and 67425 (2).	
	228349	Starting Chain complete, Nos. 228333, 228347, 228348, two each 39575 and 39576	
Automatic Mechanical Clamp Lifting Device (Order from Elizabeth)			
	22843	Automatic Mechanical Clamp Lifting Device, Nos. 1670(805), 151490, 151491-002, 151492, 151493, 191496, 151517, 151523, 151524, 151526, 151530, 151547, 151548, 151549, 151571 and two 151525 for 22844	
		Note: No. 22843 has the same component parts as No. 151562 but the Clamp Lift Shaft No. 151549 is specifically positioned for Class 271K Machines	
	22844	Automatic Mechanical Clamp Lifting Device with Cover (Power Unit) complete, Nos. 22843, 151574, two 680(819), four each 491(819), 151569, wood screws 1-3/4 inch No. 14 R.H. and eight each 151572 and 151573	
		Note: No. 22844 has the same component parts as No. 151563 but the Clamp Lift Shaft No. 151549 component of assembly No. 22843 is specifically positioned for Class 271K Machines	

Fittings for 271K11 Machine

Ref. No.	Part No. For Ordering	Description	Amt. Req.
	23142	Clamp Check complete	
	1772(819)	Clamp Check Thread Clamping Pressure Spring Adjusting Screw Nut	
	702(805)	Clamp Check Thread Clamping Pressure Spring Adjusting Screw	
	23141	Clamp Check with 23138 and two 237(804)	
	271483	Clamp Check Thread Clamping Pressure Spring	
	271467	Clamp Check Mat Housing with Rubber Mat	
	50093(806)	Clamp Check Mat Housing Screw	
	141554(830)	Clamp Arm Screw	
	98731	Knife for 1/4 inch Buttonhole	
	98732	Knife for 5/16 inch Buttonhole	
	98733	Knife for 3/8 inch Buttonhole	
	98734	Knife for 7/16 inch Buttonhole	
	98736	Knife for 9/16 inch Buttonhole	
	98737	Knife for 5/8 inch Buttonhole	
	98738	Knife for 11/16 inch Buttonhole	
	98739	Knife for 3/4 inch Buttonhole	
	98740	Knife for 13/16 inch Buttonhole	
	98741	Knife for 7/8 inch Buttonhole	
	98742	Knife for 15/16 inch Buttonhole	
	98743	Knife for 1 inch Buttonhole	
	23164	Needle Plate (narrow needle slot 0.046 inch)	
	271634	Stitch Regulating Gear 30 teeth	
	271635	Stitch Regulating Gear 32 teeth	
	271636	Stitch Regulating Gear 36 teeth	
	271637	Stitch Regulating Gear 36 teeth	
	271638	Stitch Regulating Gear 36 teeth	
	271639	Stitch Regulating Gear 40 teeth	
	271458	Stitch Regulating Gear 40 teeth	
	271640	Stitch Regulating Gear 40 teeth	
	271459	Stitch Regulating Gear 44 teeth	
	271642	Stitch Regulating Gear 48 teeth	
	271643	Stitch Regulating Gear 48 teeth	
	271644	Stitch Regulating Gear 50 teeth	
	271645	Stitch Regulating Gear 54 teeth	
	271646	Stitch Regulating Gear 60 teeth	
	271647	Stitch Regulating Gear 60 teeth	
	271648	Stitch Regulating Gear 60 teeth	

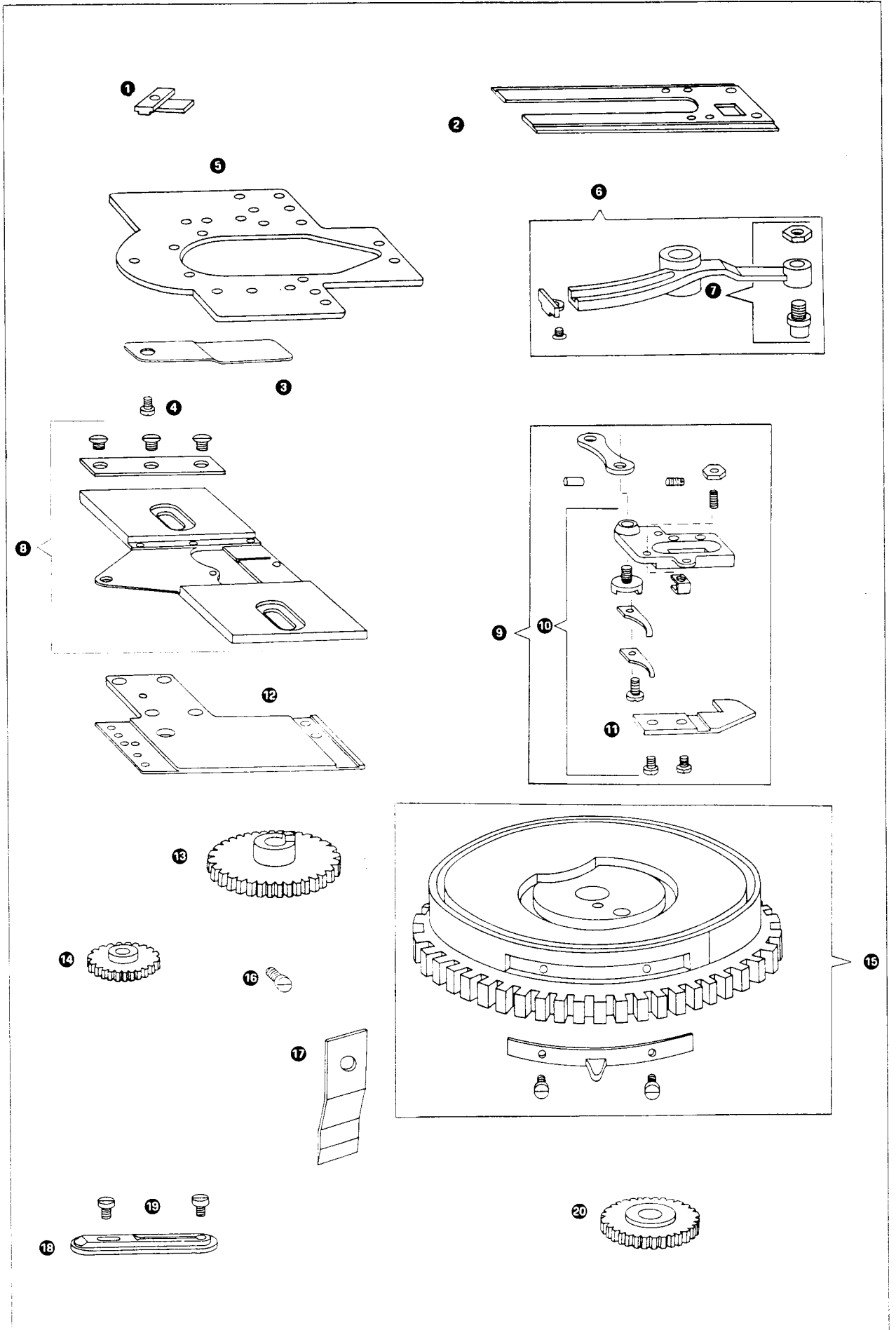
Parts List for 271K13 Machine

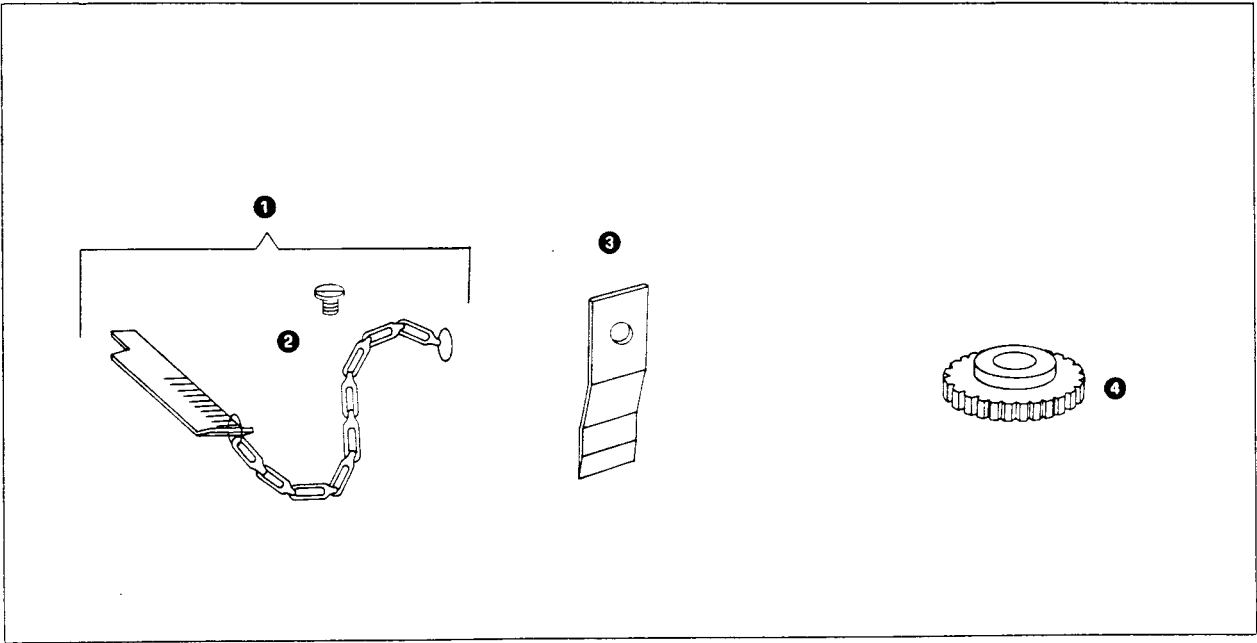
Parts special to 271K13 Machine are shown under 271K13 column heading

271K11 Machine parts not used on 271K13 Machine are shown under 271K11 column heading

All other parts are the same on 271K11 and 271K13 Machines

Ref. No	Part No For Ordering	Description	Amt. Req.
	271K11	271K13	
	249801	Barring Plate (first bar)	
	249804	Barring Plate (second bar)	
1		249954 Barring Plate	
2	23116	99773 Clamp Carrier	
3		249958 Clamp Carrier Guard	
4		244(804) Clamp Carrier Guard Screw	
5	249753	271498 Clamp Carrier Plate	
6	99774	249960 Clamp Carrier Regulator with 240(804), 1960 and 39583	
	113314	Clamp Carrier Regulator Screw Stud with 1520(809)	
7		1960 Clamp Carrier Regulator Roller and Screw Stud with 1520(809)	
8	271921	39720 Clamp Carrier Slide with 1345(804), 271920 and two 756(804)	
	249735	Clamp Carrier Stay Plate	
	934(819)	Clamp Carrier Stay Plate Screw	
9	23140	271462 Clamp Check complete, for 3/4 to 1-1/2 inch Buttonholes. Nos. 219(806), 702(805), 1772(819), 232105, 249827, 249976, 249977, 249986, 271483 and 271685	
10	23139	249986 Clamp Check with 249987 and two 237(804)	
	271465	Clamp Check Mat Housing 3/32 inch thick rubber Mat	
	50093(806)	Clamp Check Mat Housing Screw	
11	23138	249987 Clamp Check Section and Cutting Plate	
12	271542	271853 Clamp Plate	
13	271550	271854 Feed Driving Gear, 72 teeth	
14	271559	271855 Feed Ratchet Gear (upper) 32 teeth	
15	271834	271856 Feed Wheel with 271795 and two 141563(805)	
16	141024	141602(803) Feed Wheel Driving Shaft Gear (intermediate) Stud Set Screw	
17	98735	98751 Knife for 1-1/2 inch Buttonhole	
18	271947	271491 Needle Plate	
19	350234(804)	141666(803) Needle Plate Screw	
20	271641	271640 Stitch Regulating Gear, 40 teeth	
	271641	271643 Stitch Regulating Gear, 48 teeth	



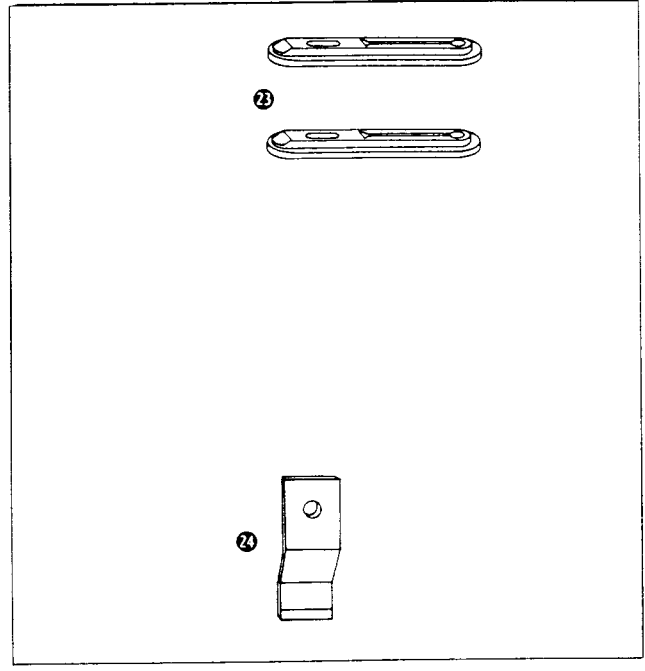
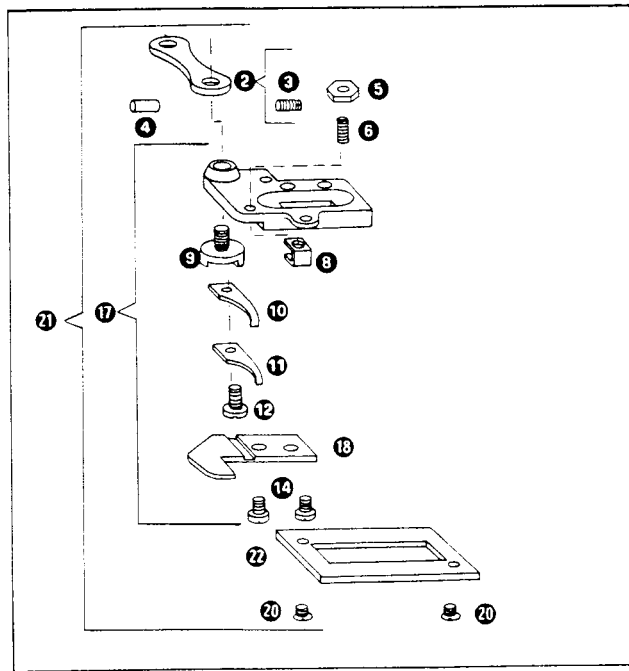
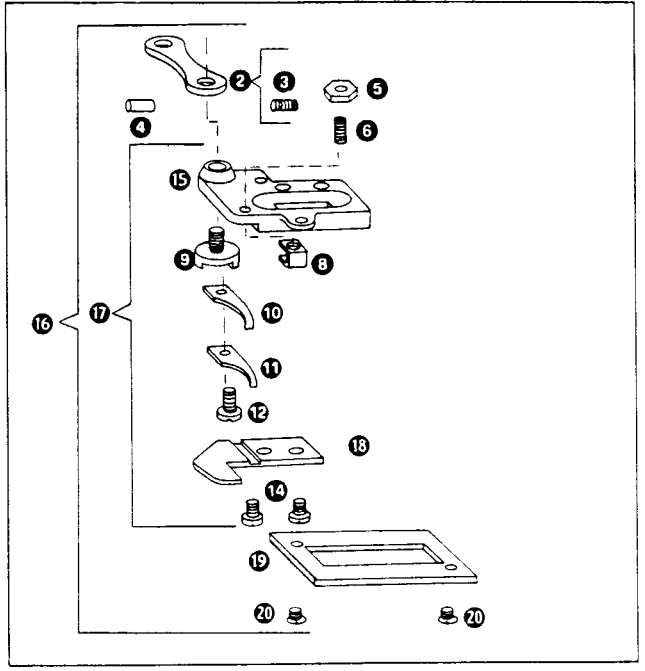
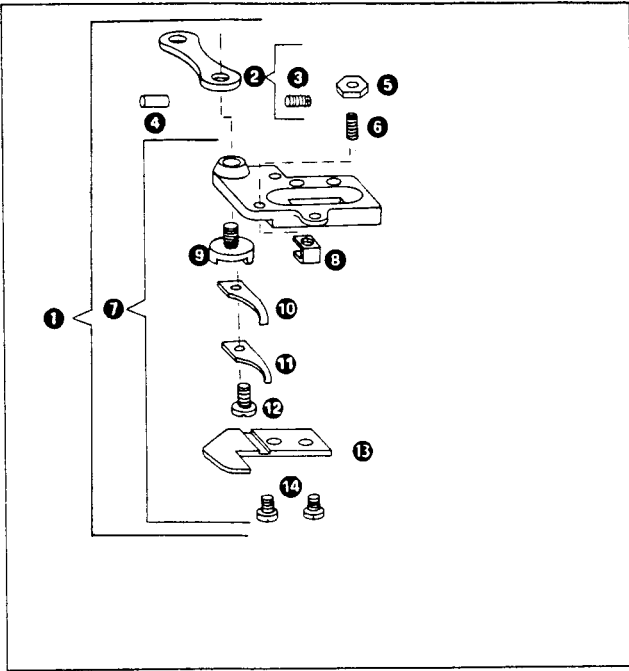


Fittings for 271K13 Machine

Replacing fittings for 271K11 Machine

All other fittings are the same on 271K11 and 271K13 Machines

Ref. No.	Part No. For Ordering	Description	Amt. Req.
1	271432	Clamp Check complete, for 3/8 to 1 inch Buttonholes, Nos. 219(806), 702(805), 1772(819), 232105, 249827, 249976, 249977, 271427, 271483 and 271685	
2	271685	Thread (upper) Cutting Blade Shaft Crank with 906(833)	
3	906(833)	Thread (upper) Cutting Blade Shaft Crank Set Screw	
4	232105	Thread (upper) Cutting Blade Shaft Crank Pin	
5	1772(819)	Clamp Check Thread Clamping Pressure Spring Adjusting Screw Nut	
6	702(805)	Clamp Check Thread Clamping Pressure Spring Adjusting Screw	
7	271427	Clamp Check with 39607 and two 237(804)	
8	271483	Clamp Check Thread Clamping Pressure Spring	
9	249827	Thread (upper) Cutting Blade Shaft	
10	249977	Thread (upper) Cutting Blade	
11	249976	Thread (upper) Clamping Plate	
12	219806	Thread (upper) Cutting Blade Screw	
13	39607	Clamp Check Section and Cutting Plate	
14	237(804)	Clamp Check Section and Cutting Plate Screw	2
15	23191	Clamp Check	
16	23196	Clamp Check complete (Low Type) for 3/4 to 1-1/2 inch Buttonholes. Nos. 219(806), 702(805), 1772(819), 23192, 23193, 232105, 249827, 249976, 249977, 271483, 271685 and two 50093(806) (1/16 inch thick Mat)	
17	23192	Clamp Check 23191 with 23195 and two 237(804)	
18	23195	Clamp Check Section and Cutting Plate	
19	23193	Clamp Check Mat Housing, 1/16 inch thick Mat	
20	50093(806)	Clamp Check Mat Housing Screw	2
21	23197	Clamp Check complete (Low Type) for 3/4 to 1-1/2 inch Buttonholes. Nos. 219(806), 702(805), 1772(819), 23192, 23194, 232105, 249827, 249976, 249977, 271483, 271685 and two 50093(806) (3/32 inch thick Mat)	
22	23194	Clamp Check Mat Housing 3/32 inch thick Mat.	
23	271422	Needle Plate for Clamp Check 271432	
	23165	Needle Plate (narrow needle slot 0.046 inch) for sewing light and fine materials	
24	98739	Knife for 3/4 inch Buttonhole	
	98740	Knife for 13/16 inch Buttonhole	
	98741	Knife for 7/8 inch Buttonhole	
	98742	Knife for 15/16 inch Buttonhole	
	98743	Knife for 1 inch Buttonhole	
	98744	Knife for 1-1/16 inch Buttonhole	
	98745	Knife for 1-1/8 inch Buttonhole	
	98746	Knife for 1-3/16 inch Buttonhole	
	98747	Knife for 1-1/4 inch Buttonhole	
	98748	Knife for 1-5/16 inch Buttonhole	
	98749	Knife for 1-3/8 inch Buttonhole	
	98750	Knife for 1-7/16 inch Buttonhole	



Parts List for 271KX1 Machine

Parts special to 271KX1 Machine are shown under 271KX1 column heading

271K11 Machine parts not used on 271KX1 Machine are shown under 271K11 column heading

All other parts are the same on 271K11 and 271KX1 Machine

Ref. No.	Part No. For Ordering	Description	Amt. Req.
	271K11	271KX1	
	249801	Barring Plate (first bar)	
1	23116	99773	Clamp Carrier
2	249753	346901	Clamp Carrier Plate
3	271921	39720	Clamp Carrier Slide with 1345(804), 271920 and two 756(804)
4	23140	23196	Clamp Check complete (Low Type) for 3/4 to 1-1/2 inch Buttonholes. Nos. 219(806), 702(805), 1772(819), 23192, 23193, 232105, 249827, 249976, 249977, 271483, 271685 and two 50093(806)
5		23191	Clamp Check
6	23139	23192	Clamp Check with 23195 and two 237(804)
7	271465	23193	Clamp Check Mat Housing, 1/16 inch thick Mat
8	23138	23195	Clamp Check Section and Cutting Plate
9	271834	99775	Feed Wheel with 271795 and two 50093(806)
10	98735	98739	Knife 3/4 inch
11	271947	271491	Needle Plate
12	350234(804)	141666(804)	Needle Plate Screw

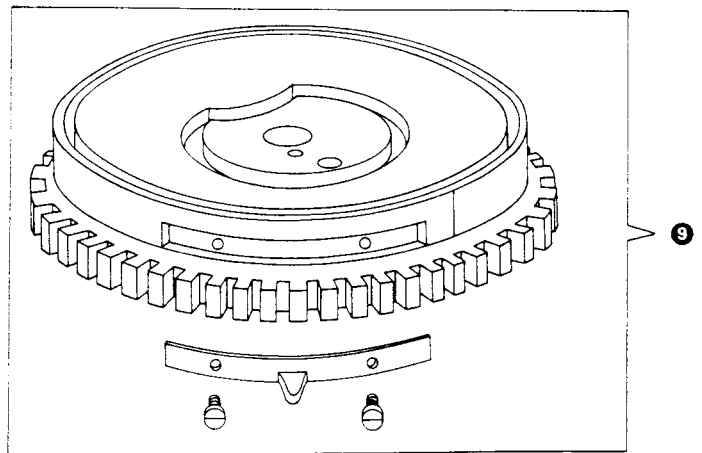
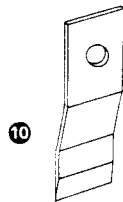
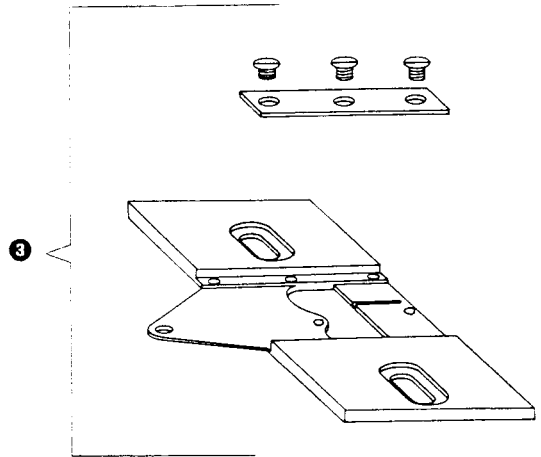
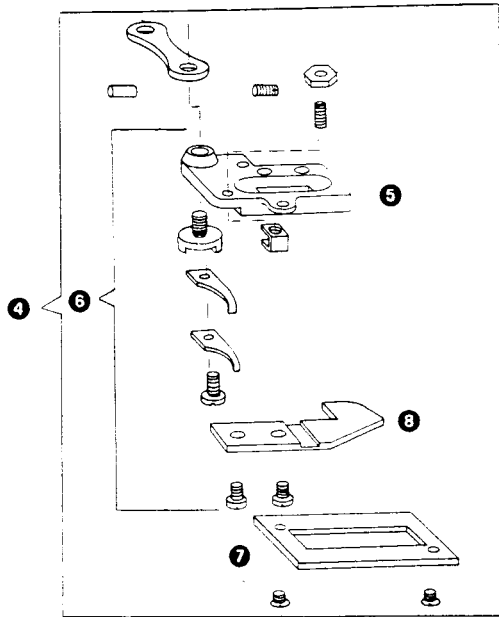
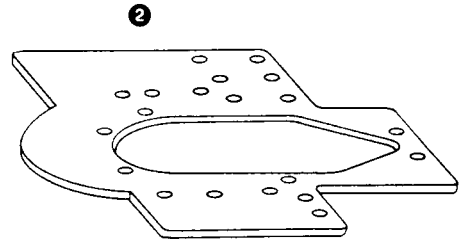
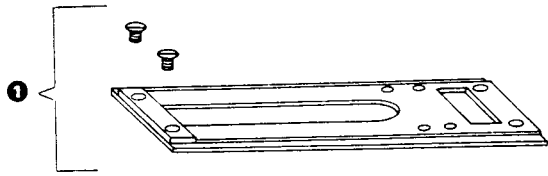
Accessories for 271KX1 Machine

Accessories special to 271KX1 Machine are shown under 271KX1 column heading

271K11 Machine accessories not used on 271KX1 Machine are shown under 271K11 column heading

All other accessories are the same on 271K11 and 271KX1 Machines

	271K11	271KX1	
13	98733	98743	Knife for 1 inch Buttonhole
	98739	98745	Knife for 1-1/8 inch Buttonhole



Parts List for 271K211 Machine

Parts special to 271K211 Machine are shown under 271K211 column heading

271K11 Machine parts not used on 271K211 Machine are shown under 271K11 column heading

All other parts are the same on 271K11 and 271K211 Machines

Ref. No.	Part No. For Ordering	Description	Amt Req	
271K11	271K211			
1	262142	Cloth Plate (upper)		
2	262111	Cloth Plate (upper) Tension Spring Bracket	2	
3	262109	Cloth Plate (upper) Tension Spring (back)		
4	262110	Cloth Plate (upper) Tension Spring (front)		
5		Cloth Plate (upper) Tension Spring Screw	4	
6		Cloth Plate (upper) Tension Spring Bracket Screw	2	
7	262144	Cloth Plate (upper) Mounting Bracket		
8	1300(804)	Cloth Plate (upper) Mounting Bracket Screw (left)		
9	262186	Cloth Plate (lower)		
10	262185	Cloth Plate (front)		
11	140091(804)	Cloth Plate (front) Screw	2	
12	51946	Cloth Plate (lower) Roller and Screw Stud		
13	262187	Cloth Plate (lower) Roller Bearing Plate		
14	930(819)	Cloth Plate (lower) Roller Bearing Plate Screw	2	
15	756(804)	Cloth Plate (lower) Screw	4	
16	1460(804)	Cloth Plate (upper) Mounting Bracket Screw (right)		
17	232131	Cloth Plate (upper) Mounting Bracket Screw Washer	2	
	262166	Cycling Switch Actuating Lever Driving Stud		
18	262182	Machine Starting Lever Push Rod Bracket Mounting Block		
19	350654(833)	Machine Starting Lever Push Rod Bracket Mounting Block Screw	2	
20	262118	Machine Starting Lever Rod Trip Lever		
21	262119	Machine Starting Lever Rod Trip Lever Bracket		
22	350647(833)	Machine Starting Lever Rod Trip Lever Bracket Screw		
23	262120	Machine Starting Lever Rod Trip Lever Pin		
24	262184	Oil Splash Guard (lower section)		
25	1239(804)	Oil Splash Guard Fastening Screw		
26	207(804)	Oil Splash Guard Screw	2	
27	1300(804)	Cloth Plate (upper) Mounting Bracket Set Screw	2	
28	271510	262181	Arm Side Cover (left) with two 271804	
29	23116	262103	Clamp Carrier with two 934(819)	
30	271947	262183	Needle Plate	
	271721	262188	Machine Base	
	271726	262189	Machine Base and Belt Guard complete	
	249753		Clamp Carrier Plate	
	1231(806)		Clamp Carrier Plate Screw (back)	2
	404(804)		Clamp Carrier Plate Screw (front)	2
	271536		Clamp Carrier Regulator Slide	
	249922		Stop Lever	
	50416(806)		Stop Lever Hinge Screw	

Accessories for 271K211 Machine

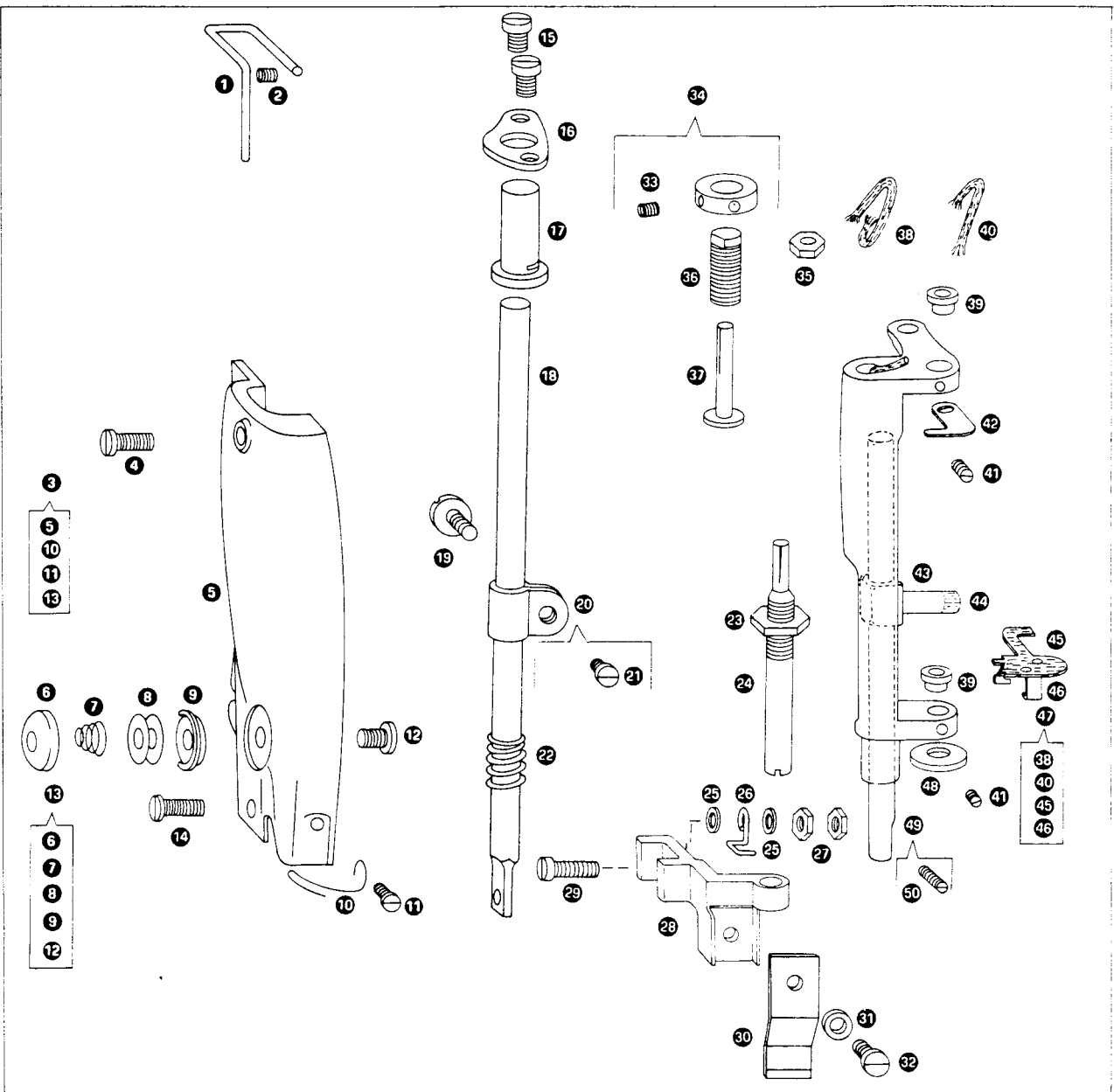
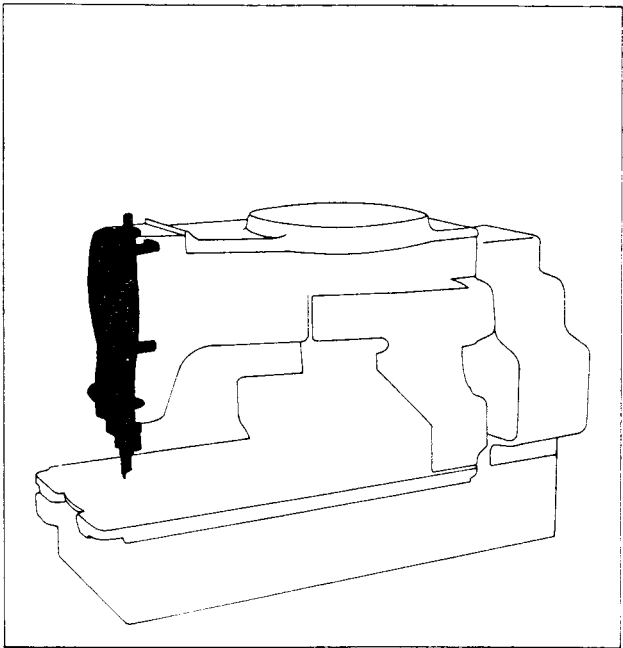
Accessories special to 271K211 Machine are shown under 271K211 column heading

All other accessories are the same on 271K11 and 271K211 Machines

Ref. No.	Part No. For Ordering	Description	Amt Req
271K11	271K211		
31	259929	Wrench, for 1671(803)	
	271797	Machine Driving Belt (endless)	

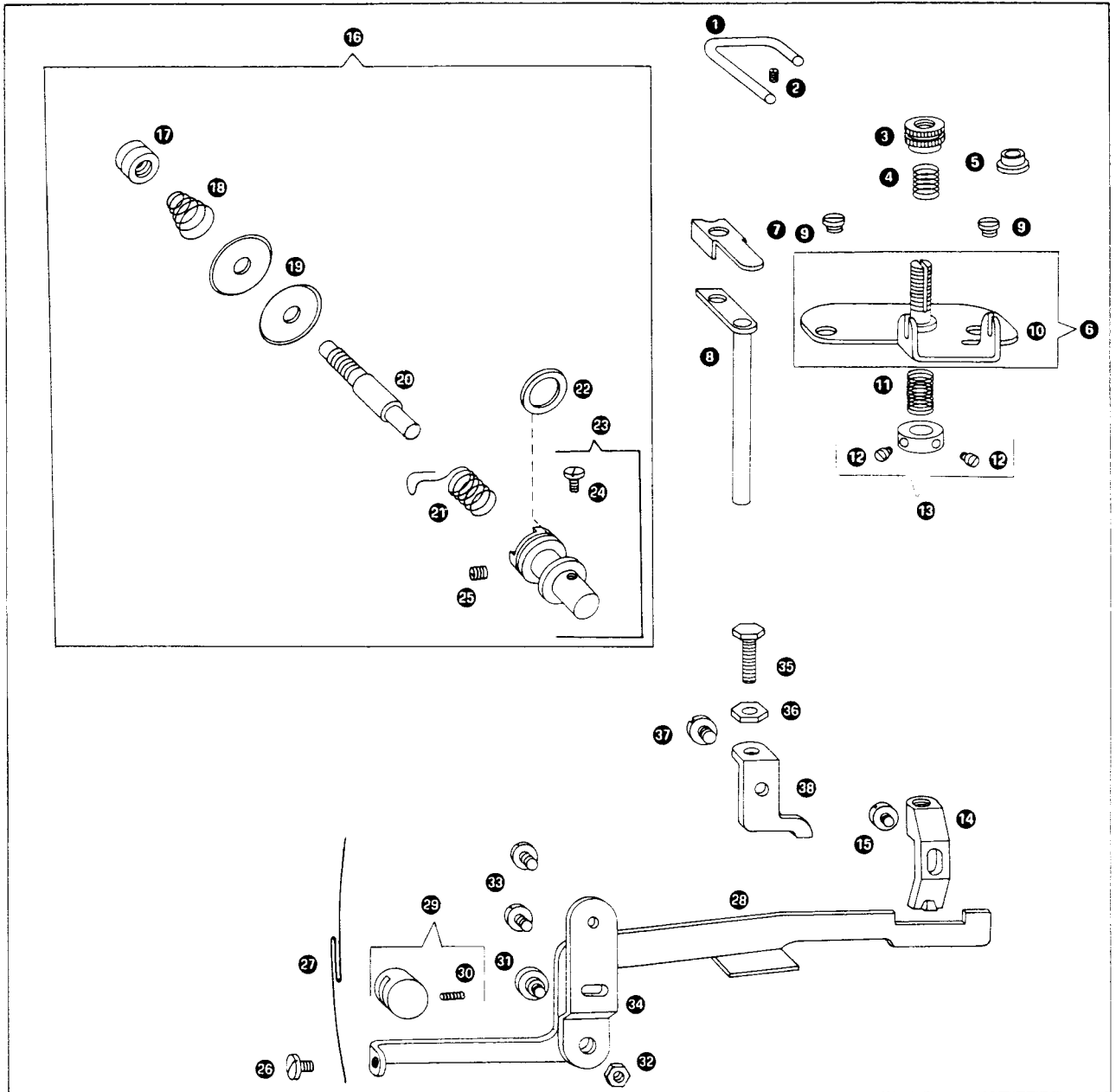
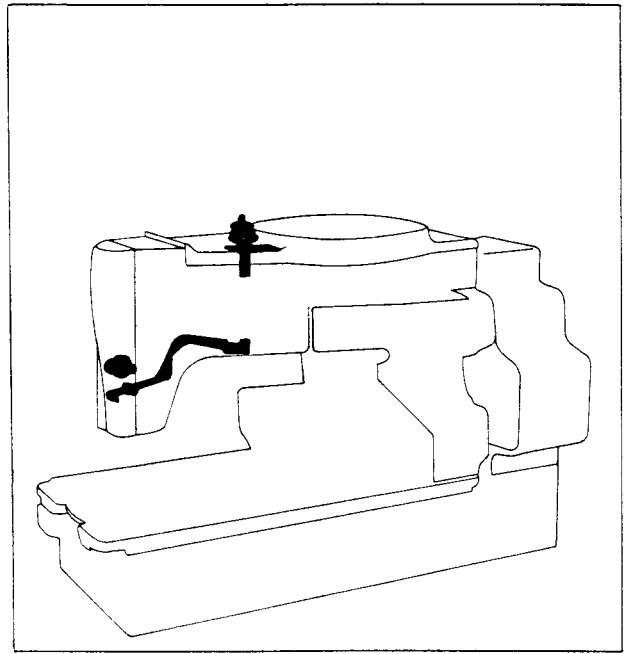
Parts List for 271K12 Machine

Ref. No.	Part No. For Ordering	Description	Amt. Req.
1	23669	Thread Guide (side of arm) (lower)	
2	1019(830)	Thread Guide (side of arm) (lower) Set Screw	
3	271500	Face Plate with 1423(806), 271667 and 271692	
4	140040(809)	Face Plate Screw (upper)	
5	271486	Face Plate	
6	9544(839)	Thread Check Cap	
7	9545-001	Thread Check Spring	
8	9543	Thread Check Disc	2
9	271666	Thread Check Bracket	
10	271692	Thread Guide (on Face Plate)	
11	1423(806)	Thread Guide (on Face Plate) Screw	
12	208(830)	Thread Check Screw	
13	271667	Thread Check Complete	
14	330(804)	Face Plate Screw (lower)	
15	168(804)	Knife Bar Stop Retainer Plate Screw	2
16	249545	Knife Bar Stop Retainer Plate	
17	249544	Knife Bar Stop	
18	23460	Knife Bar	
19	1239(804)	Knife Bar Connecting Link Cap Screw	
20	271915	Knife Bar Connecting Stud with 1319(806)	
21	1319(806)	Knife Bar Connecting Stud Clamping Screw	
22	271494	Knife Bar Spring	
23	1608(803)	Knife Holder Guide Stud Nut	
24	98968	Knife Holder Guide Stud	
25	49109	Knife Holder and Needle Thread Pull-off Roller Arm Bracket Screw Washer	2
26	98952	Needle Thread Guide (lower)	
27	1547(819)	Knife Holder and Needle Thread Pull-off Roller Arm Bracket Screw Nut	2
28	271470	Knife Holder	
29	109060(830)	Knife Holder and Needle Thread Pull-off Roller Arm Bracket Screw	
30	98735	Knife for 1/2 inch Buttonhole	
31	23390	Knife Screw Washer	
32	191(806)	Knife Screw	
33	141087(869)	Needle Bar Frame Stud Collar Set Screw	2
34	271445	Needle Bar Frame Stud Collar with two 141087(850)	
35	1517(804)	Needle Bar Frame Stud Sleeve Nut	
36	271444	Needle Bar Frame Stud Sleeve	
37	271442	Needle Bar Frame Stud	
38	270200	Needle Bar Oiling Wick	
39	108216	Needle Bar Frame Stud Bushing	2
40	241189	Thread Take-up Lever Oil Packing Wick	
41	350562(869)	Needle Bar Frame Stud Bushing Set Screw	2
42	271607	Needle Bar Frame Oiling Felt (upper)	
43	98965	Needle Bar Connecting Stud with 114003	
44	114003(833)	Needle Bar Connecting Stud Set Screw	
45	271610	Needle Bar Oiling Felt	
46	271611	Needle Bar Oiling Felt Retainer	
47	98966	Needle Bar Frame with 241189, 270200, 271610 and 271611	
48	271606	Needle Bar Frame Oiling Felt (lower)	
49	98961	Needle Bar with 336(804)	
50	336(804)	Needle Set Screw	



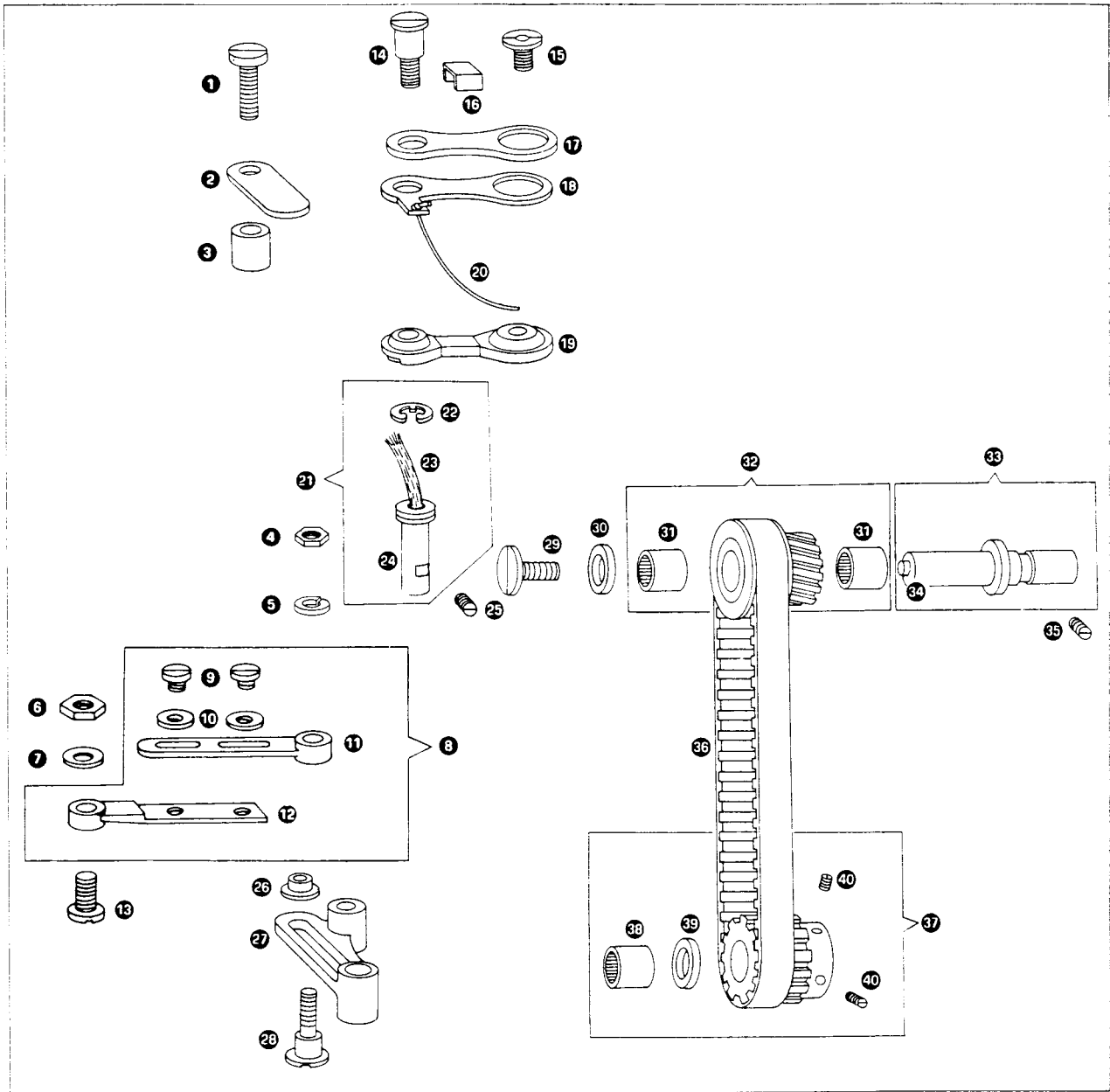
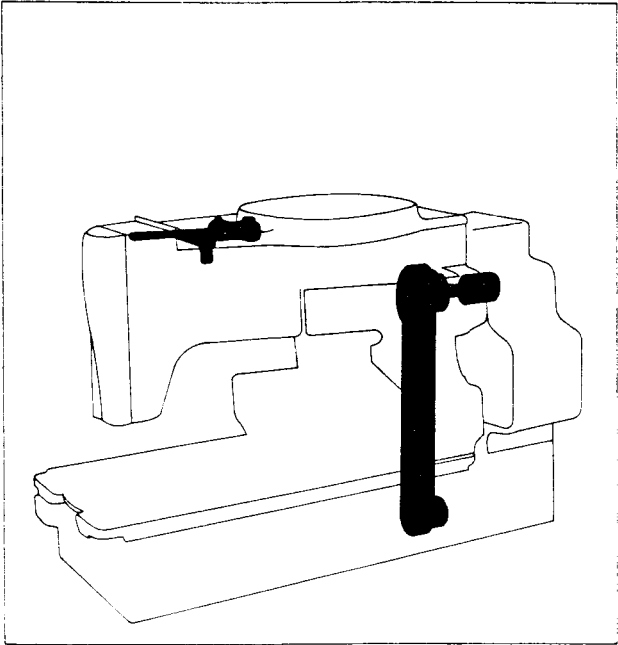
Parts List for 271K12 Machine

Ref. No.	Part No. For Ordering	Description	Amt. Req.
1	39711	Thread Guide (side of arm) (upper)	
2	460(830)	Thread Guide (side of arm) (upper) Set Screw	
3	1562	Barring Tension Spring Regulating Nut	
4	271414	Barring Tension Spring	
5	12400	Barring Tension Spring Guide	
6	141628	Barring Tension Screw Stud	
7	271842	Barring Tension Plate (upper)	
8	271841	Barring Tension Plate (lower)	
9	190(804)	Barring Tension Support Bracket Screw	2
10	271843	Barring Tension Support Bracket with 141628	
11	271691	Barring Tension Plate (lower) Spring	
12	209(831)	Barring Tension Plate (lower) Collar Set Screw	2
13	40043	Barring Tension Plate (lower) Collar with two 209(831)	
14	271929	Barring Point	
15	191(806)	Barring Point Screw	
16	271658	Tension (side of arm) complete	
17	1560(806)	Tension (side of arm) Regulating Thumb Nut	
18	8238	Tension (side of arm) Spring	
19	2102	Tension (side of arm) Disc	2
20	1043(806)	Tension (side of arm) Screw Stud	
21	39652	Thread Take-up Spring	
22	271701	Thread Take-up Spring Regulator Oil Seal Ring (rubber)	
23	271700	Thread Take-up Spring Regulator with 237(804)	
24	237(804)	Tension (side of arm) Screw Stud Set Screw	
25	446(833)	Thread Take-up Spring Regulator Set Screw	
26	1443(806)	Automatic Knife Disengaging Lever Thread Guide Screw	
27	271410	Automatic Knife Disengaging Lever Thread Guide	
28	271408	Automatic Knife Disengaging Lever	
29	271428	Automatic Knife Disengaging Lever Balance Weight with 140490(833)	
30	140490(833)	Automatic Knife Disengaging Lever Balance Weight Set Screw	
31	974(806)	Automatic Knife Disengaging Lever Hinge Screw	
32	1698(803)	Automatic Knife Disengaging Lever Hinge Screw Nut	
33	161(804)	Automatic Knife Disengaging Lever Bracket Screw	2
34	271782	Automatic Knife Disengaging Lever Bracket	
35	141623(803)	Bight Stitch Adjusting Point Adjusting Screw	
36	1550(803)	Bight Stitch Adjusting Point Adjusting Screw Nut	
37	350287	Bight Stitch Adjusting Point Screw	
38	271844	Bight Stitch Adjusting Point	



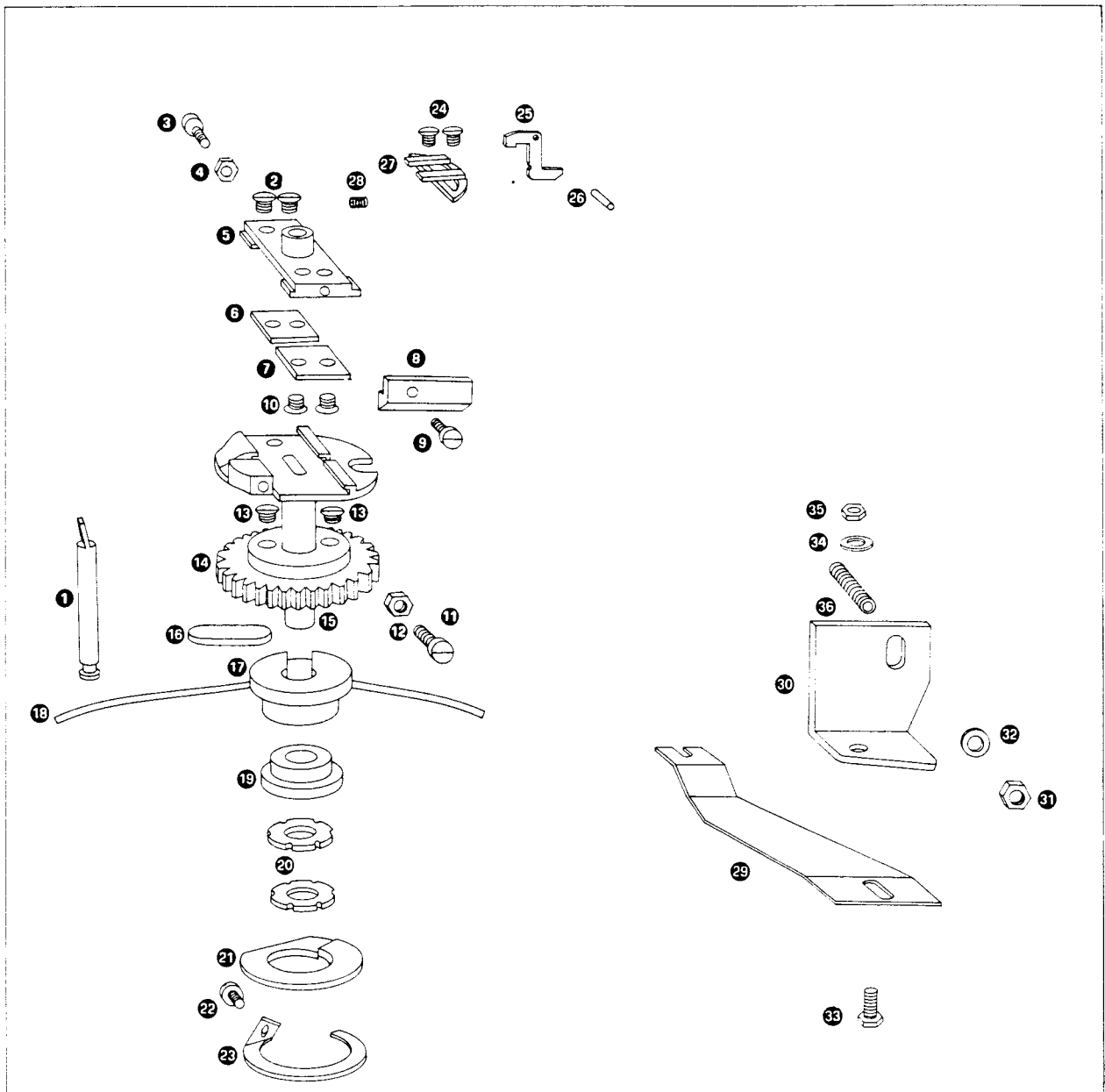
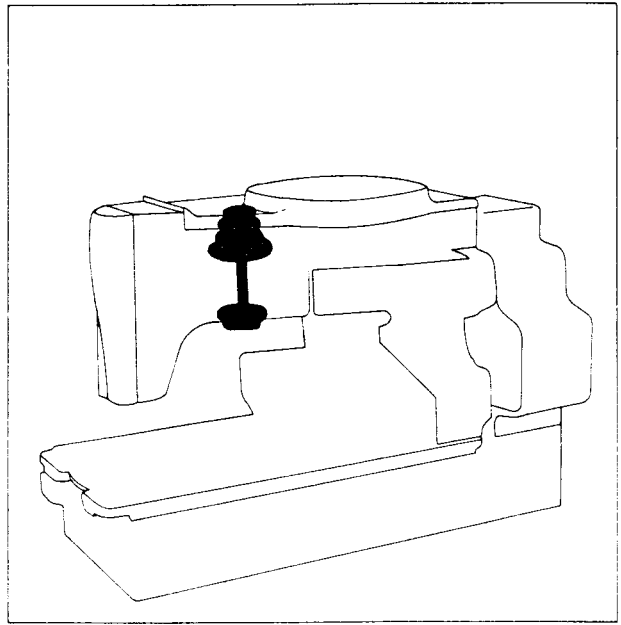
Parts List for 271K12 Machine

Ref. No.	Part No. For Ordering	Description	Amt. Req.
1	50172(803)	Barring Tripping Point Lock Screw	
2	271889	Barring Tripping Point	
3	271890	Barring Tripping Point Spacer	
4	1698(803)	Needle Bar Frame Regulator Hub Adjusting Screw Nut	
5	39504	Needle Bar Frame Regulator Hub Adjusting Screw Washer	
6	1547(819)	Needle Bar Frame Pitman Hinge Screw Nut	
7	271831	Needle Bar Frame Pitman (hinge screw end) Washer	
8	271966	Needle Bar Frame Pitman (adjustable) complete	
9	190(806)	Needle Bar Frame Pitman Adjusting Screw	2
10	7071	Needle Bar Frame Pitman Adjusting Screw Washer	2
11	271917	Needle Bar Frame Pitman (regulator end)	
12	271918	Needle Bar Frame Pitman (hinge screw end)	
13	141679(803)	Needle Bar Frame Pitman Hinge Screw	
14	141549(806)	Needle Bar Frame Connection Hinge Screw	
15	141548(806)	Needle Bar Frame Connection Cap Screw	
16	271771	Needle Bar Frame Connection Oiling Felt Retainer Clamp	
17	271765	Needle Bar Frame Connection Oiling Felt Retainer	
18	271764	Needle Bar Frame Connection Oiling Felt	
19	271604	Needle Bar Frame Connection	
20	271976	Needle Bar Frame Connection Oiling Wick	
21	271608	Needle Bar Frame Regulator Hinge Stud with 262135 and 271609	
22	262135	Needle Bar Frame Regulator Hinge Stud Oil Wick Retainer	
23	271609	Needle Bar Frame Regulator Hinge Stud Oil Wick	
24	262133	Needle Bar Frame Regulator Hinge Stud	
25	446(833)	Needle Bar Frame Regulator Hinge Stud Set Screw	
26	7070	Needle Bar Frame Regulator Hub Adjusting Screw Sleeve	
27	271770	Needle Bar Frame Regulator	
28	1038(803)	Needle Bar Frame Regulator Hub Adjusting Screw	
29	964(804)	Hook Driving Connection Belt Pulley Cap Screw	
30	271754	Hook Driving Connection Belt Pulley Thrust Washer	
31	267093	Hook Driving Connection Belt Pulley Needle Bearing	2
32	271580	Hook Driving Connection Belt Pulley with two 267093	
33	271979	Hook Driving Connection Belt Pulley Stud (eccentric) with 271583	
34	271583	Hook Driving Connection Belt Pulley Stud Oil Packing (wick)	
35	430(830)	Hook Driving Connection Belt Pulley Stud Screw	
36	271578	Hook Driving Connection Belt (reinforced neoprene)	
37	271794	Hook Driving Shaft Connection Belt Pulley with 268425, 271434 and two 140409(830)	
38	268425	Hook Driving Shaft Connection Belt Pulley Needle Bearing	
39	271434	Hook Driving Shaft Thrust Washer	
40	140409(830)	Hook Driving Shaft Connection Belt Pulley Screw	2



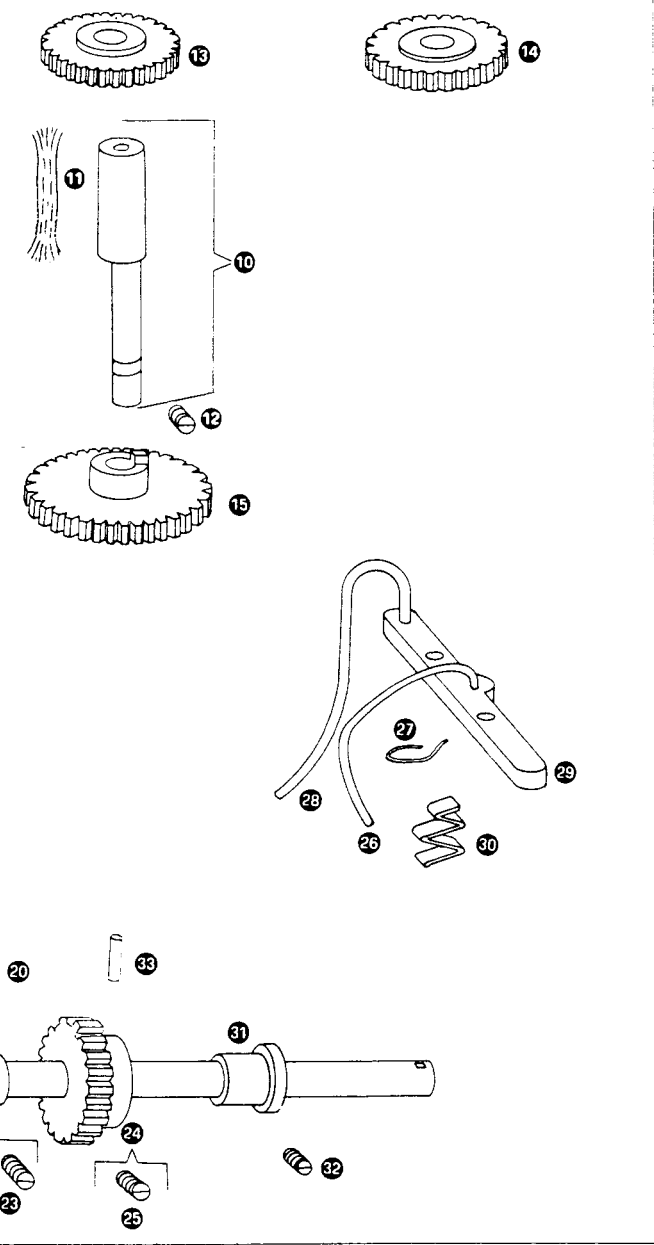
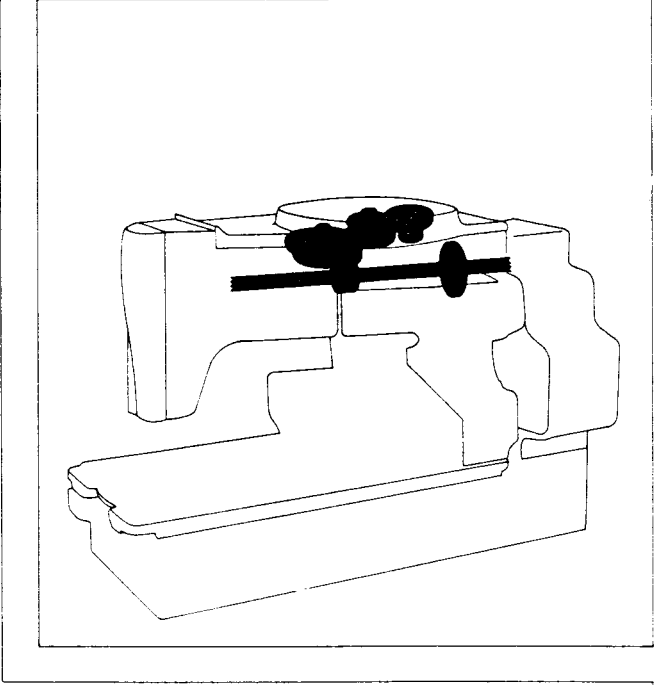
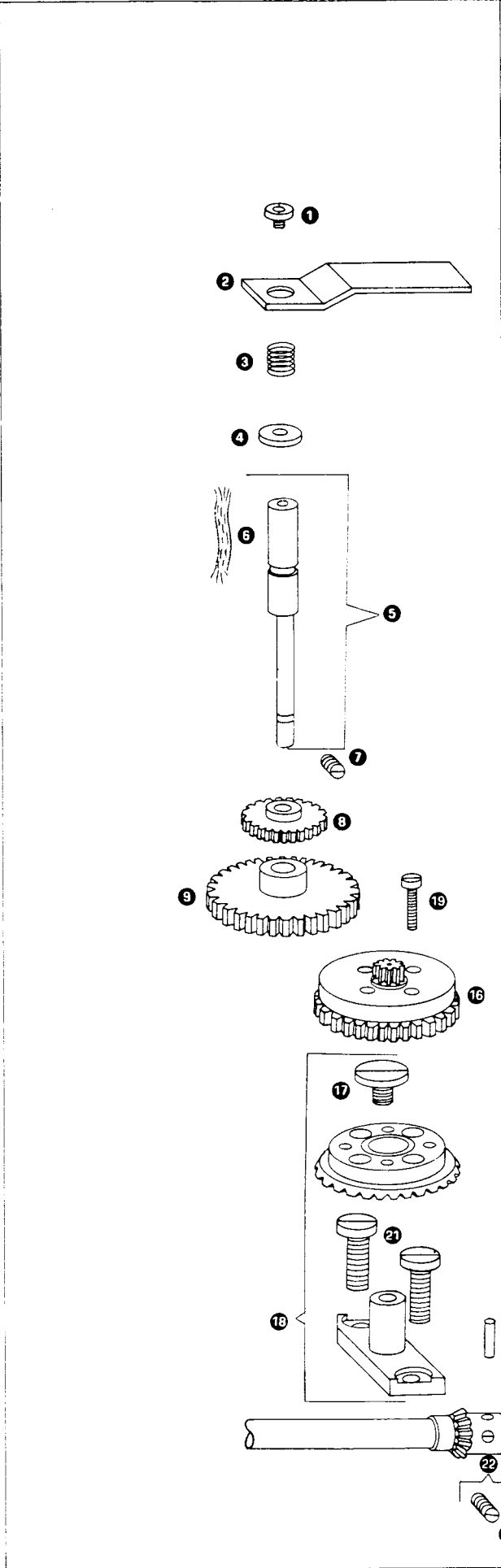
Parts List for 271K12 Machine

Ref. No.	Part No. For Ordering	Description	Amt. Req.
1	271519	Barring Slide Operating Rod	
2	223(804)	Barring Slide Operating Plate (adjustable) Screw	2
3	141564(803)	Barring Slide Operating Plate Adjusting Screw	
4	1607(805)	Barring Slide Operating Plate Adjusting Screw Nut	
5	271796	Barring Slide	
6	271943	Barring Slide Operating Plate (adjustable)	
7	271883	Barring Slide Operating Plate (stationary)	
8	271460	Barring Slide Stop	
9	704(806)	Barring Slide Stop Attaching Screw	
10	228(804)	Barring Slide Operating Plate (stationary) Screw	2
11	141670(805)	Barring Slide Stop Adjusting Screw	
12	1607(805)	Barring Slide Stop Adjusting Screw Nut	
13	51000(805)	Needle Bar Frame Driving Gear Screw	2
14	271605	Needle Bar Frame Driving Gear	
15	271517	Barring Shaft	
16	271518	Barring Shaft Oiling Felt (in Arm)	
17	171774	Barring Shaft Bushing (upper)	
18	271698	Barring Shaft Oiling Wick	
19	271631	Barring Shaft Bushing (lower)	
20	53561(803)	Barring Shaft Adjusting Lock Nut	2
21	271755	Barring Shaft Oiling Felt (lower)	
22	216(804)	Barring Shaft Oiling Felt (lower) Retainer Screw	
23	271756	Barring Shaft Oiling Felt (lower) Retainer	
24	196(805)	Barring Trip Lever Plate Clamping Screw	2
25	271886	Barring Trip Lever	
26	271887	Barring Trip Lever Hinge Pin	
27	271888	Barring Trip Lever Plate	
28	210962	Barring Trip Lever Spring	
29	271411	Barring Slide Operating Rod Spring	
30	271413	Barring Slide Operating Rod Spring Bracket	
31	201784(819)	Barring Slide Operating Rod Spring Bracket Nut	
32	210805	Barring Slide Operating Rod Spring Bracket Washer	
33	350287(806)	Barring Slide Operating Rod Spring Screw	
34	225734	Barring Slide Operating Rod Spring Screw Washer	
35	1698(803)	Barring Slide Operating Rod Spring Screw Nut	
36	114120	Barring Slide Operating Rod Spring Bracket Screw	



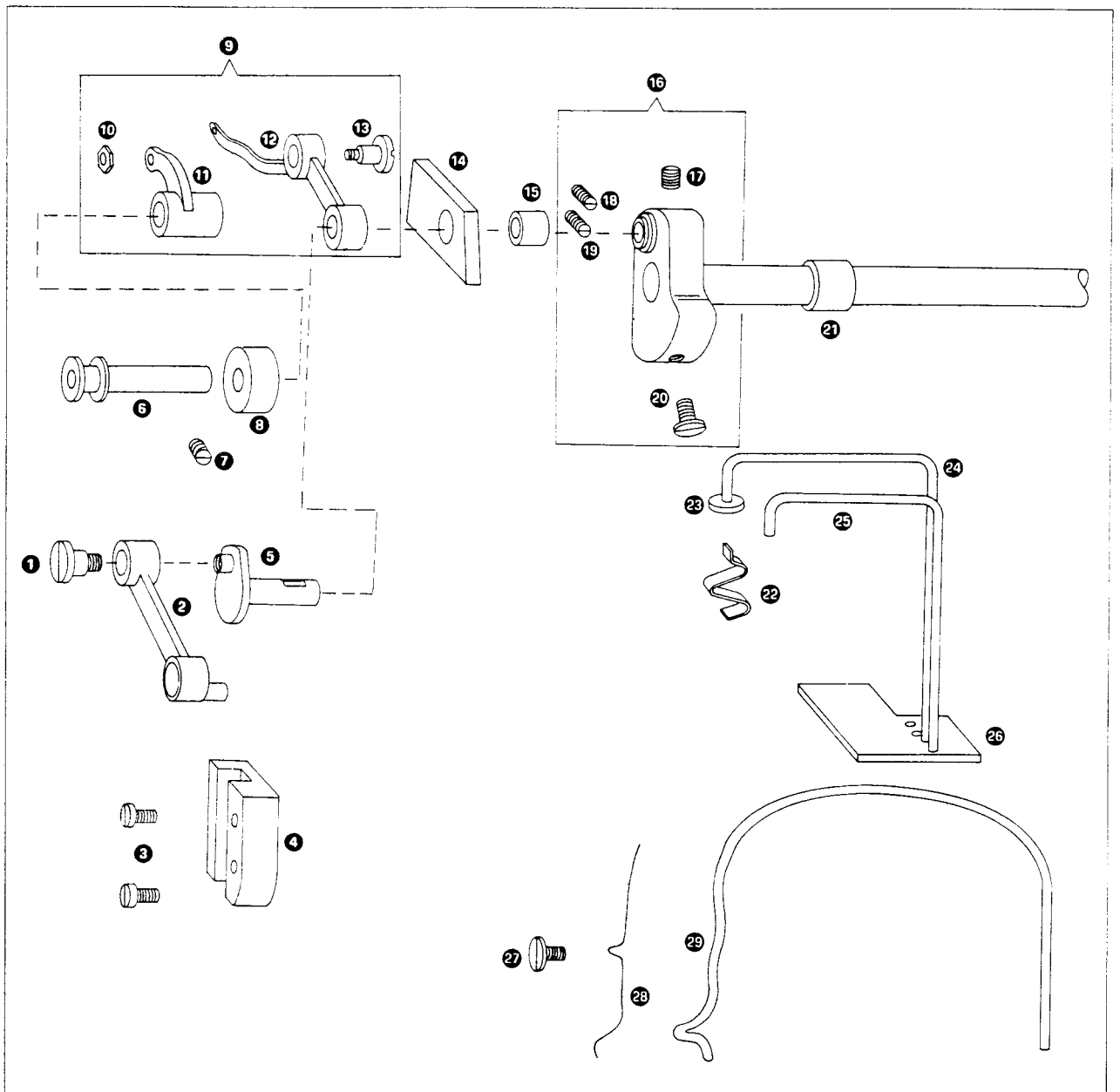
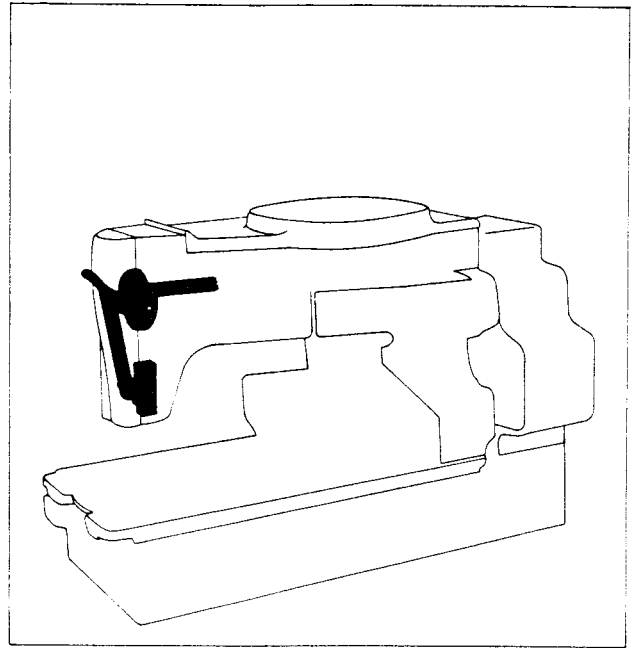
Parts List for 271K12 Machine

Ref. No.	Part No. For Ordering	Description	Amt. Req.
1	141504(819)	Feed Ratchet Gear Compression Spring Cap Screw	
2	271426	Stitch Regulator Gear Retainer	
3	271560	Feed Ratchet Gear Compression Spring	
4	271731	Feed Ratchet Gear Compression Spring Washer	
5	271409	Feed Ratchet Gear (eccentric) Stud with 271562	
6	271562	Feed Ratchet Gear (eccentric) Stud Oil Packing (wick)	
7	350781(830)	Feed Ratchet Gear (eccentric) Stud Set Screw	
8	271855	Feed Ratchet Gear (upper) 24 teeth	
9	271558	Feed Ratchet Gear (lower) 70 teeth	
10	271978	Feed Driving Gear Stud (eccentric) with 263572	
11	263572	Feed Driving Gear Stud (eccentric) Oil Packing (wick)	
12	140930(850)	Feed Driving Gear Stud (eccentric) Set Screw	
13	271639	Stitch Regulating Gear, 40 teeth	
14	271644	Stitch Regulating Gear, 50 teeth	
15	271854	Feed Driving Gear, 72 teeth	
16	271881	Feed Driving Pinion	
17	141546(803)	Feed Driving Bevel Gear Cap Screw	
18	271473	Feed Driving Bevel Gear Bracket with 141546(803) and 271549	
19	971(805)	Feed Driving Pinion Screw	4
20	40025	Feed Driving Bevel Pinion Position Pin	
21	1396(805)	Feed Driving Bevel Gear Bracket Screw	2
22	271750	Feed Driving Bevel Pinion with two 453(830)	
23	453(830)	Feed Driving Bevel Pinion Set Screw	2
24	271584	Hook Driving Connection Belt Pulley Gear with 141600(830)	
25	141600(830)	Hook Driving Connection Belt Pulley Gear Lock Screw	
26	271423	Hook Driving Connection Belt Pulley Oiling Wick	
27	271652	Stop Cam Gear Stud Oiling Wick Clamp	
28	271651	Stop Cam Gear Stud Oiling Wick	
29	271507	Arm Shaft Flanged Bushing (back) Oiling Felt	
30	271508	Arm Shaft Flanged Bushing (back) Oil Packing (wick)	
31	271733	Arm Shaft Flanged Bushing (back)	
32	448(833)	Arm Shaft Flanged Bushing (back) Set Screw	
33	40025	Hook Driving Connection Belt Pulley Gear Position Pin	



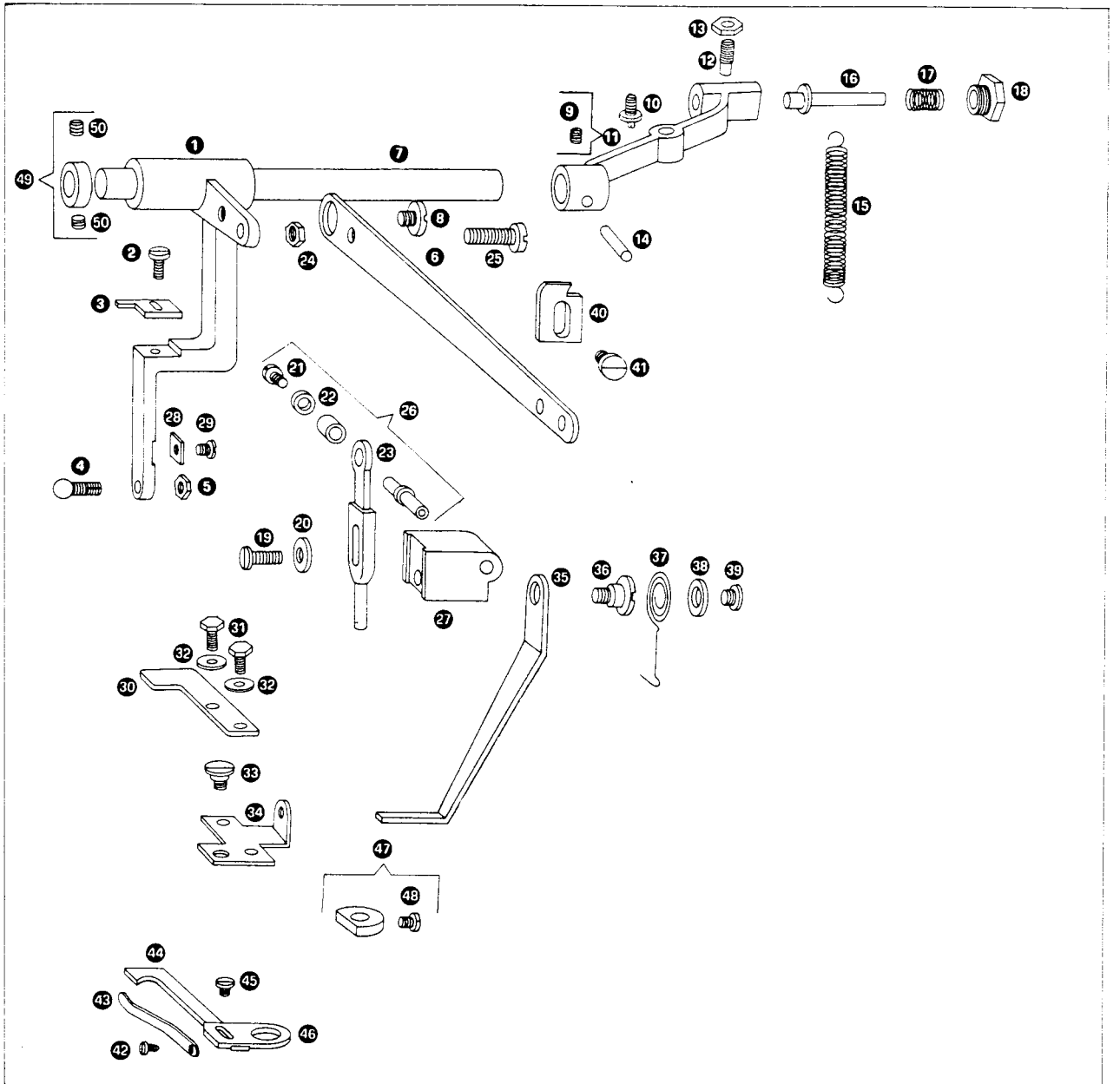
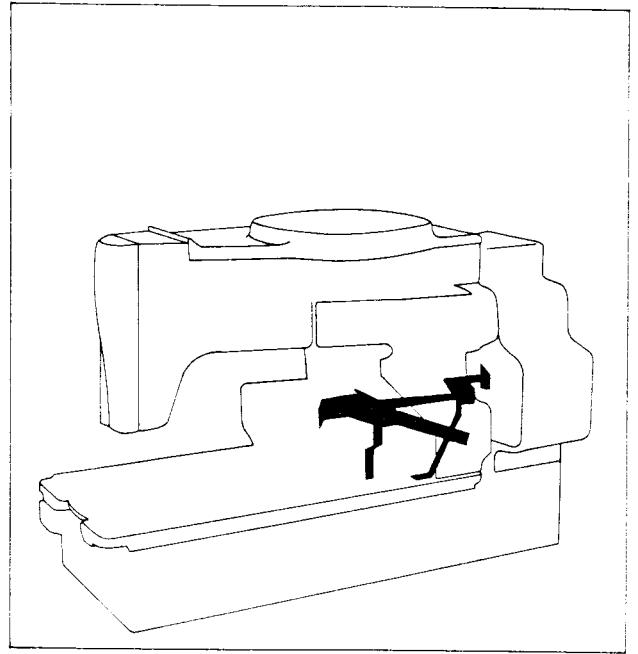
Parts List for 271K12 Machine

Ref. No.	Part No. For Ordering	Description	Amt. Req.
1	1021(805)	Needle Bar Connecting Link Cap Screw	
2	98962	Needle Bar Connecting Link	
3	114002	Needle Bar Connecting Link Guide Block Screw	2
4	98964	Needle Bar Connecting Link Guide Block with two 114002	
5	271694	Thread Take-up Crank	
6	262138	Thread Take-up Lever Link Hinge Pin	
7	435(833)	Thread Take-up Lever Link Hinge Pin Set Screw	
8	271790	Thread Take-up Lever Link Hinge Pin Oiling Felt	
9	271699	Thread Take-up Lever complete	
10	1521(804)	Thread Take-up Lever Adjusting Screw Nut	
11	271793	Thread Take-up Lever Link	
12	271696	Thread Take-up Lever	
13	141562(803)	Thread Take-up Lever Adjusting Screw	
14	271975	Thread Take-up Lever Link Oiling Felt	
15	271599	Thread Take-up Lever Link Hinge Pin Oiling Felt Washer	
16	271760	Needle Bar Crank with 858(830), 1065(830) and two 141275(869)	
17	141275(869)	Thread Take-up Crank Position Screw	
18	141275(869)	Thread Take-up Crank Set Screw	
19	858(830)	Needle Bar Crank Set Screw	
20	1065(830)	Needle Bar Crank Position Screw	
21	271506	Arm Shaft	
22	271508	Arm Shaft Bushing (front) Oil Packing (wick)	
23	271509	Arm Shaft Bushing (front) Oiling Felt	
24	235706	Arm Shaft Bushing (front) Oil Wick	
25	271651	Thread Take-up Lever Link Hinge Pin Oil Wick	
26	271505	Arm Reservoir Oiling Felt	
27	190(804)	Arm Oil Wick Retainer Screw	
28	271503	Arm Oil Wick Retainer	
29	271502	Arm Oil Wick	



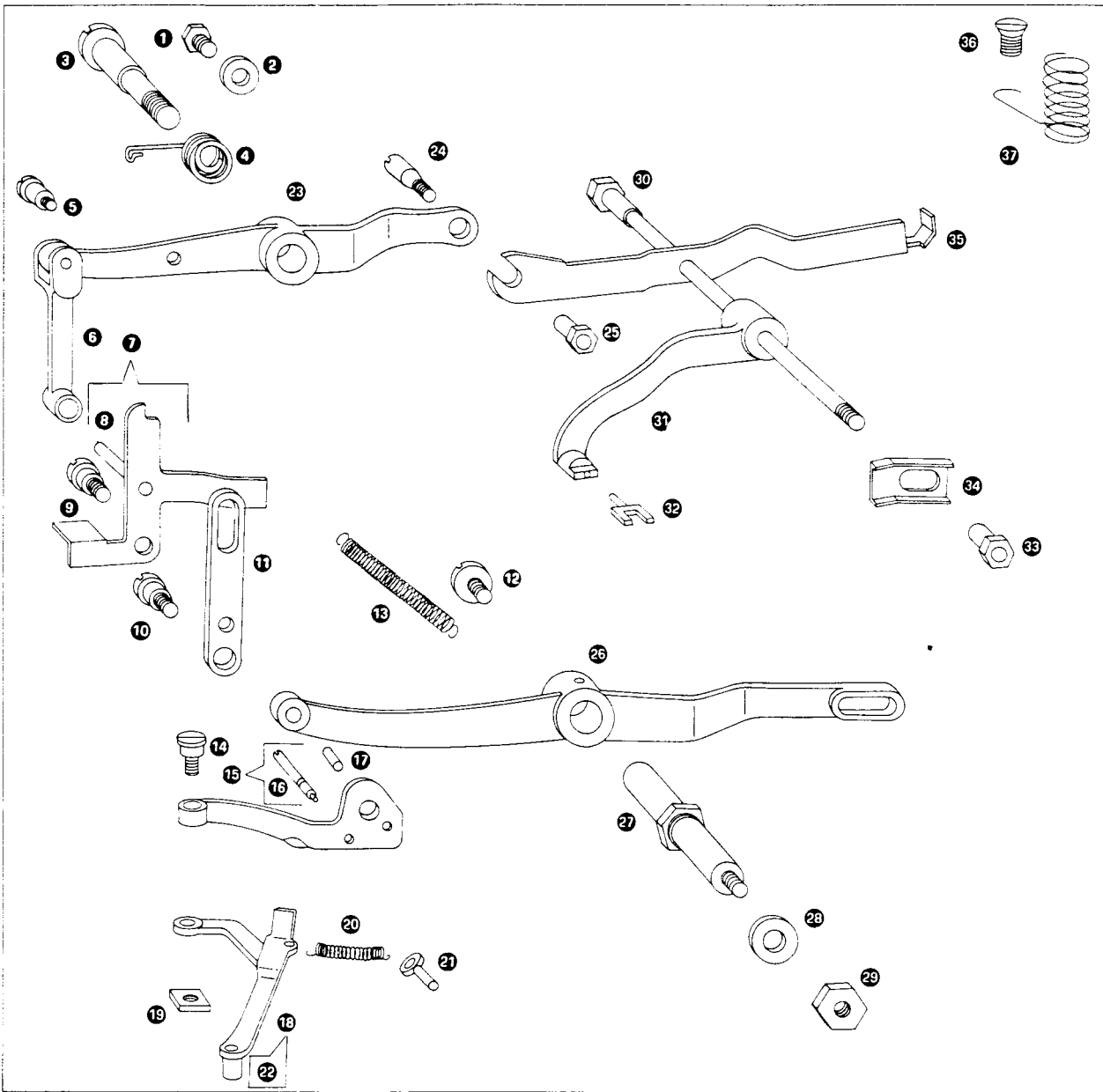
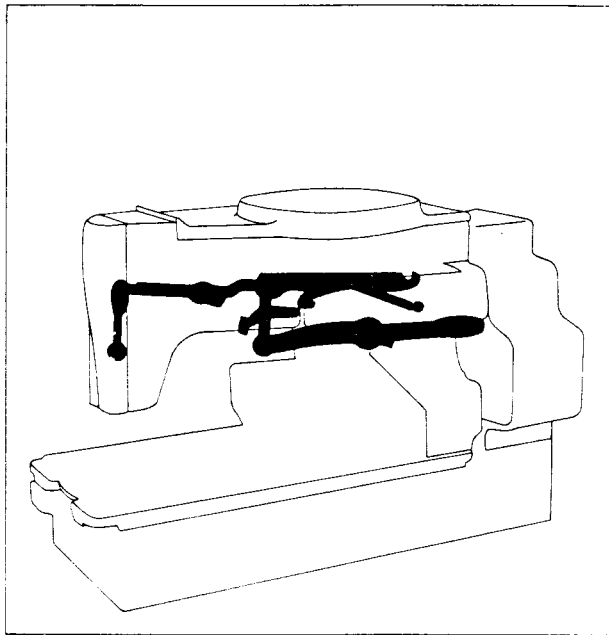
Parts List for 271K12 Machine

Ref. No.	Part No. For Ordering	Description	Amt. Req.
1	271670	Thread (lower) Cutting Lever	
2	201(803)	Thread (upper) Cutting Blade Driving Arm Latch Tripping Plate Screw	
3	271681	Thread (upper) Cutting Blade Driving Arm Latch Tripping Plate	
4	1351(803)	Thread (lower) Cutting Lever Ball Screw	
5	1520(809)	Thread (lower) Cutting Lever Ball Screw Nut	
6	271671	Thread (lower) Cutting Lever Extension	
7	271657	Tension (side of arm) Releaser Lever Shaft	
8	350365(803)	Thread (lower) Cutting Lever Extension Screw	
9	140321(830)	Tension (side of arm) Releaser Lever Set Screw	
10	1241(804)	Tension (side of arm) Releaser Lever Spring Screw Stud	
11	271656	Tension (side of arm) Releaser Lever with 140321(830)	
12	717(833)	Tension (side of arm) Releaser Lever Stop Screw	
13	1520(809)	Tension (side of arm) Releaser Lever Stop Screw Nut	
14	271655	Tension (side of arm) Releaser Lever Pin (spirol)	
15	271949	Tension (side of arm) Releaser Lever Spring	
16	40052	Tension (side of arm) Releaser Lever Lock Pin	
17	40053	Tension (side of arm) Releaser Lever Lock Pin Spring	
18	1352(803)	Tension (side of arm) Releaser Lever Lock Pin Screw Bushing	
19	157(806)	Clamp Lifting Arm Connection Roller and Screw Stud Bracket Screw	
20	39541	Clamp Lifting Arm Connection Roller and Screw Stud Bracket Screw Washer	
21	229(804)	Clamp Lifting Arm Connection Roller Cap Screw	
22	12424	Clamp Lifting Arm Connection Roller Cap Screw Washer	
23	271540	Clamp Lifting Arm Connection	
24	1620(805)	Clamp Lifting Arm Connection Hinge Screw Nut	
25	141556(830)	Clamp Lifting Arm Connection Hinge Screw	
26	1901	Clamp Lifting Arm Connection Roller and Screw Stud with 229(804) and 12424	
27	271541	Clamp Lifting Arm Connection Roller and Screw Stud Bracket	
28	271628	Sewing Safety Lock Engaging Plate	
29	114123(804)	Sewing Safety Lock Engaging Plate Screw	
30	271622	Safety Tripping Lever Lock	
31	350114(803)	Safety Tripping Lever Lock Screw	2
32	39541	Safety Tripping Lever Lock Screw Washer	2
33	140566(830)	Safety Tripping Lever Lock Plate Hinge Screw	
34	271623	Safety Tripping Lever Lock Plate	
35	271621	Safety Tripping Lever	
36	350109(803)	Safety Tripping Lever Hinge Screw	
37	251170	Safety Tripping Lever Spring	
38	7071	Safety Tripping Lever Spring Screw Washer	
39	217(804)	Safety Tripping Lever Spring Screw	
40	271624	Safety Tripping Lever Release Plate	
41	898(804)	Safety Tripping Lever Release Plate Screw	
42	201381(804)	Sewing Safety Lock Hinge Bracket Spring Screw	
43	2256	Sewing Safety Lock Hinge Bracket Spring	
44	271625	Sewing Safety Lock	
45	792(804)	Sewing Safety Lock Screw	
46	271629	Sewing Safety Lock Hinge Bracket	
47	271630	Sewing Safety Lock Hinge Bracket Collar with 202(806)	
48	202(806)	Sewing Safety Lock Hinge Bracket Collar Screw	
49	268072	Tension (side of arm) Releaser Lever Shaft Collar with two 200386(803)	
50	200386(803)	Tension (side of arm) Releaser Lever Shaft Collar Set Screw	2



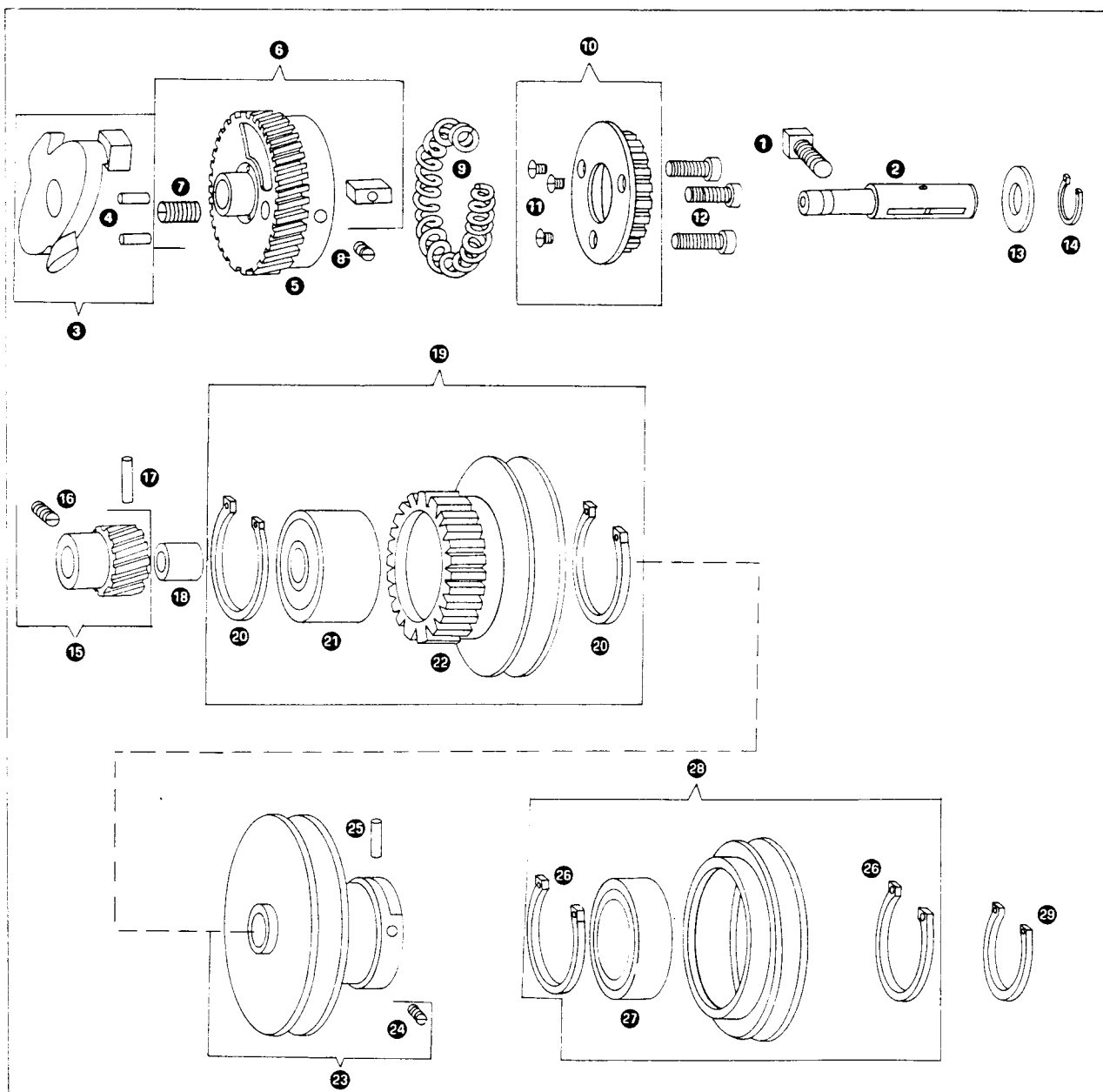
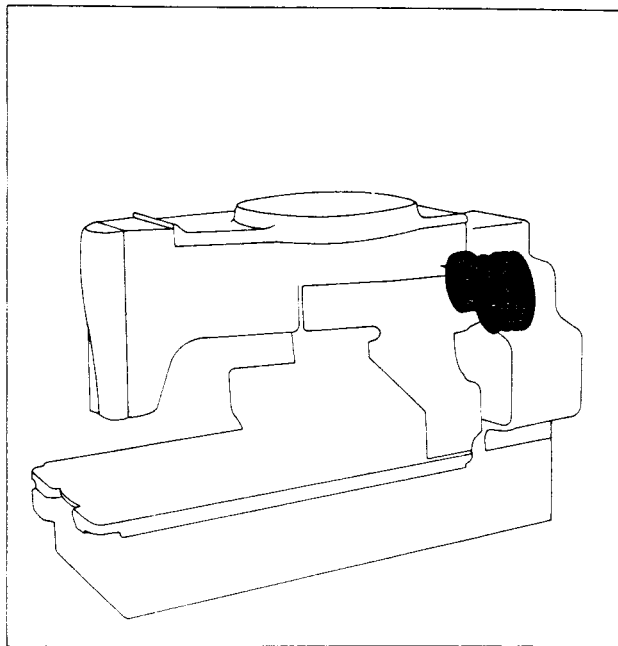
Parts List for 271K12 Machine

Ref. No.	Part No. For Ordering	Description	Amt. Req.
1	141316(830)	Knife Bar Driving Lever Spring Screw	
2	271967	Automatic Knife Disengaging Lever Stop Washer	
3	141649(803)	Knife Bar Driving Lever Hinge Screw	
4	23681	Knife Bar Driving Lever Spring	
5	1240(806)	Knife Bar Connecting Link Hinge Screw	
6	271914	Knife Bar Connecting Link	
7	262128	Knife Bar Disengaging Lever with 262058	
8	262058	Knife Bar Disengaging Lever Screw Stud	
9	90(806)	Knife Bar Disengaging Lever Hinge Screw	
10	54(806)	Knife Bar Driving Lever (intermediate) Connecting Link Hinge Screw	
11	262171	Knife Bar Driving Lever (intermediate) Connecting Link	
12	144(804)	Knife Bar Driving Lever (intermediate) Cap Screw	
13	249660	Knife Bar Disengaging Lever Spring	
14	50416(806)	Knife Bar Disengaging Lever Catch Hinge Screw	
15	271935	Knife Bar Disengaging Lever Catch Bracket with 1242(804) and 238089	
16	1242(804)	Knife Bar Disengaging Lever Spring Screw	
17	238089	Knife Bar Disengaging Lever Catch Bracket Position Pin	
18	271934	Knife Bar Disengaging Lever Catch with 1963	
19	1547(819)	Knife Bar Disengaging Lever Catch Hinge Screw Nut	
20	249659	Knife Bar Disengaging Lever Catch Spring	
21	1241(804)	Knife Bar Disengaging Lever Catch Spring Screw Stud	
22	1963	Knife Bar Disengaging Lever Catch Roller and Stud	
23	271595	Knife Bar Driving Lever	
24	271801	Knife Bar Driving Lever Screw Stud	
25	201732(803)	Knife Bar Driving Lever Screw Stud Nut	
26	271936	Knife Bar Driving Lever (intermediate)	
27	141586(803)	Knife Bar Driving Lever (intermediate) Hinge Screw Stud	
28	205634	Knife Bar Driving Lever (intermediate) Hinge Screw Stud Washer	
29	53570(819)	Knife Bar Driving Lever (intermediate) Hinge Screw Stud Nut	
30	350712(803)	Barring Lever Hinge Screw	
31	271838	Barring Lever	
32	271412	Barring Slide Operating Rod Stud	
33	201732(803)	Barring Lever Hinge Screw Nut	
34	271429	Feed Hand Ratchet Stop	
35	271952	Starting Lever Safety	
36	190(804)	Arm Oil Wick Support Spring Screw	
37	271504	Arm Oil Wick Support Spring	



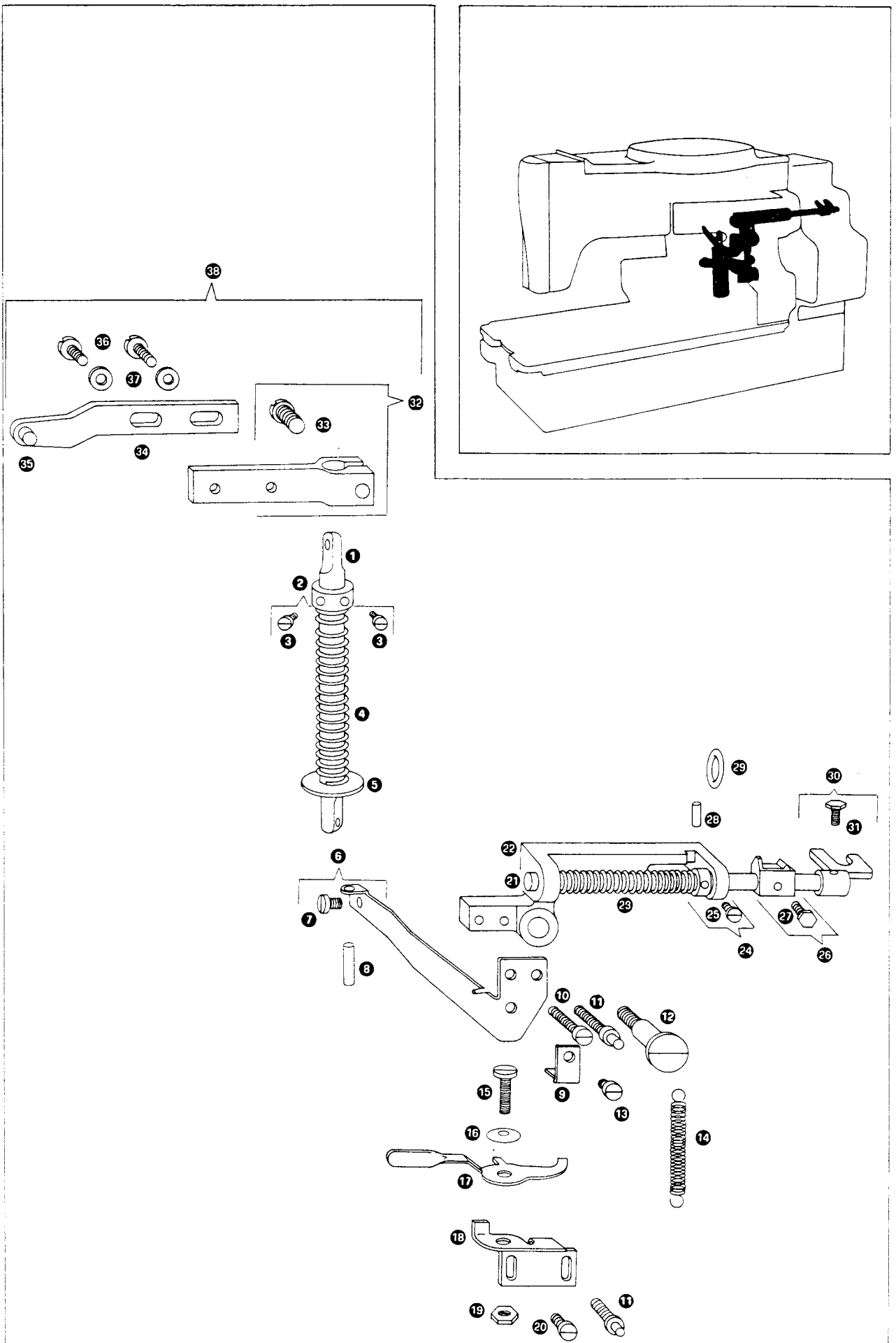
Parts List for 271K12 Machine

Ref. No.	Part No. For Ordering	Description	Amt. Req.
1	795(803)	Stop Cam Gear Stud Set Screw	
2	271650	Stop Cam Gear Stud	
3	271939	Stop Cam with two 202330	
4	202330	Stop Cam Oil Packing (wick)	2
5	271759	Stop Cam Gear	
6	249713	Stop Cam Spring Stop Screw Block with 457(830)	
7	457(830)	Stop Cam Spring Stop Screw Block Set Screw	
8	871(806)	Stop Cam Spring Stop Screw	
9	271495	Stop Cam Spring	
10	271619	Pulley (positive drive) Gear and Stop Cam Spring Cover with three 389(806)	
11	389(806)	Stop Cam Spring Cover Screw	3
12	140050(803)	Pulley (positive drive) Gear Screw	3
13	271730	Stop Cam Gear Stud Washer	
14	265672	Stop Cam Gear Stud Retaining Ring	
15	271653	Stop Cam Pinion with 453(830)	
16	453(830)	Stop Cam Pinion Set Screw	
17	40025	Stop Cam Pinion Position Pin	
18	271738	Pulley (positive drive) Spacer	
19	271763	Pulley (positive drive) with 271736 and two 271766	
20	271766	Pulley (positive drive) Ball Bearing Retaining Ring	2
21	271736	Pulley (positive drive) Ball Bearing	
22	271618	Pulley (positive drive)	
23	271617	Pulley (tight) with 140321(803)	
24	140321(803)	Pulley (tight) Set Screw	
25	271739	Pulley (tight) Pin (spirol)	
26	271767	Pulley (loose) Ball Bearing Retaining Ring	2
27	271734	Pulley (loose) Ball Bearing	
28	271615	Pulley (loose) with 271734 and two 271767	
29	271740	Pulley (loose) Retaining Ring	



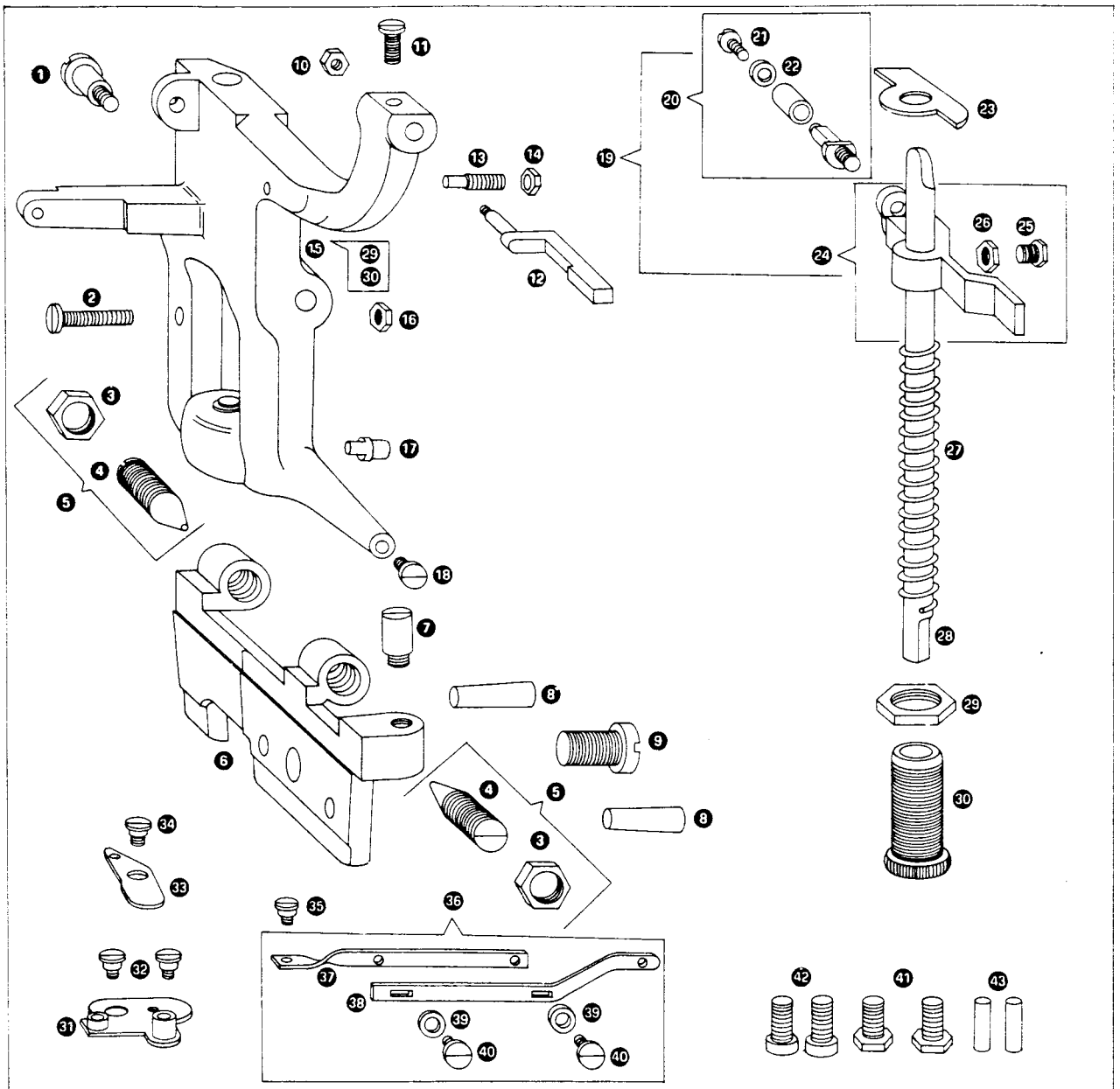
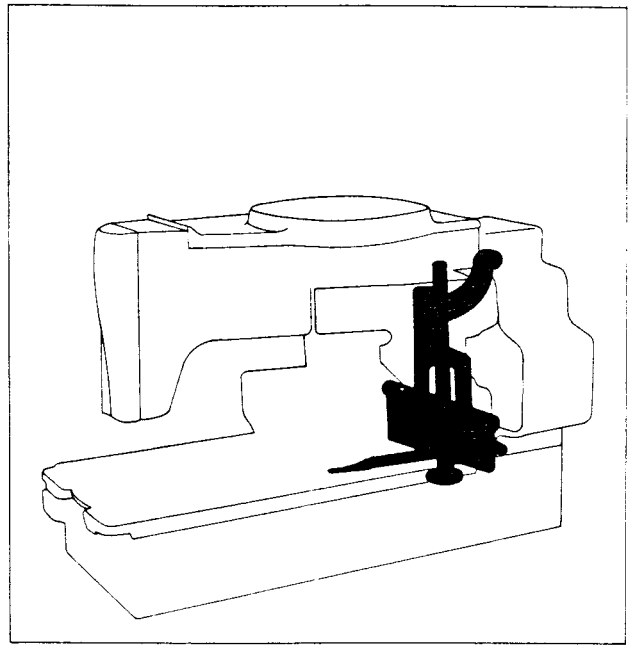
Parts List for 271K12 Machine

Ref. No.	Part No. For Ordering	Description	Amt. Req.
1	271729	Starting Lever Rod	
2	39675	Starting Lever Spring Collar with two 191(806)	
3	191(806)	Starting Lever Spring Collar Set Screw	2
4	222616	Starting Lever Spring	
5	202005	Starting Lever Spring Washer	
6	249858	Belt Shifter Shaft Bracket Extension with 51047(805)	
7	51047(805)	Belt Shifter Shaft Bracket Extension Pinch Screw	
8	249864	Belt Shifter Trip Stud	
9	271965	Belt Shifter Shaft Bracket Stop	
10	158(805)	Belt Shifter Shaft Bracket Extension Screw	
11	350339(805)	Belt Shifter Shaft Bracket Spring Screw Stud	2
12	350288(806)	Belt Shifter Shaft Bracket Hinge Screw	
13	191(806)	Belt Shifter Shaft Bracket Stop Screw	
14	23554	Belt Shifter Shaft Bracket Spring	
15	59(804)	Speed Adjusting Lever Hinge Screw	
16	202248	Speed Adjusting Lever Hinge Screw Washer	
17	271802	Speed Adjusting Lever (slow speed)	
18	271803	Speed Adjusting Lever Bracket	
19	1521(819)	Speed Adjusting Lever Hinge Screw Nut	
20	161(804)	Speed Adjusting Lever Bracket Screw	
21	271524	Belt Shifter Shaft	
22	271727	Belt Shifter Shaft Bracket	
23	271950	Belt Shifter Shaft Spring	
24	249861	Belt Shifter Shaft Guide Collar with 237(804)	
25	237(804)	Belt Shifter Shaft Guide Collar Set Screw	
26	271523	Belt Shifter Operating Block with 350287(806)	
27	350287(806)	Belt Shifter Operating Block Set Screw	
28	2269	Belt Shifter Shaft Guide Collar Position Pin	
29	39882	Belt Shifter Stop Washer (nylon)	
30	271977	Belt Shifter with 350287(806)	
31	350287(806)	Belt Shifter Set Screw	
32	271989	Sewing Safety Lever Clamp with 1149(830)	
33	1149(830)	Sewing Safety Lever Clamp Pinch Screw	
34	271990	Sewing Safety Lever Extension with 1822	
35	1822	Sewing Safety Lever Extension Roller	
36	191(806)	Sewing Safety Lever Extension Screw	2
37	204925	Sewing Safety Lever Extension Screw Washer	2
38	271991	Sewing Safety Lever complete	



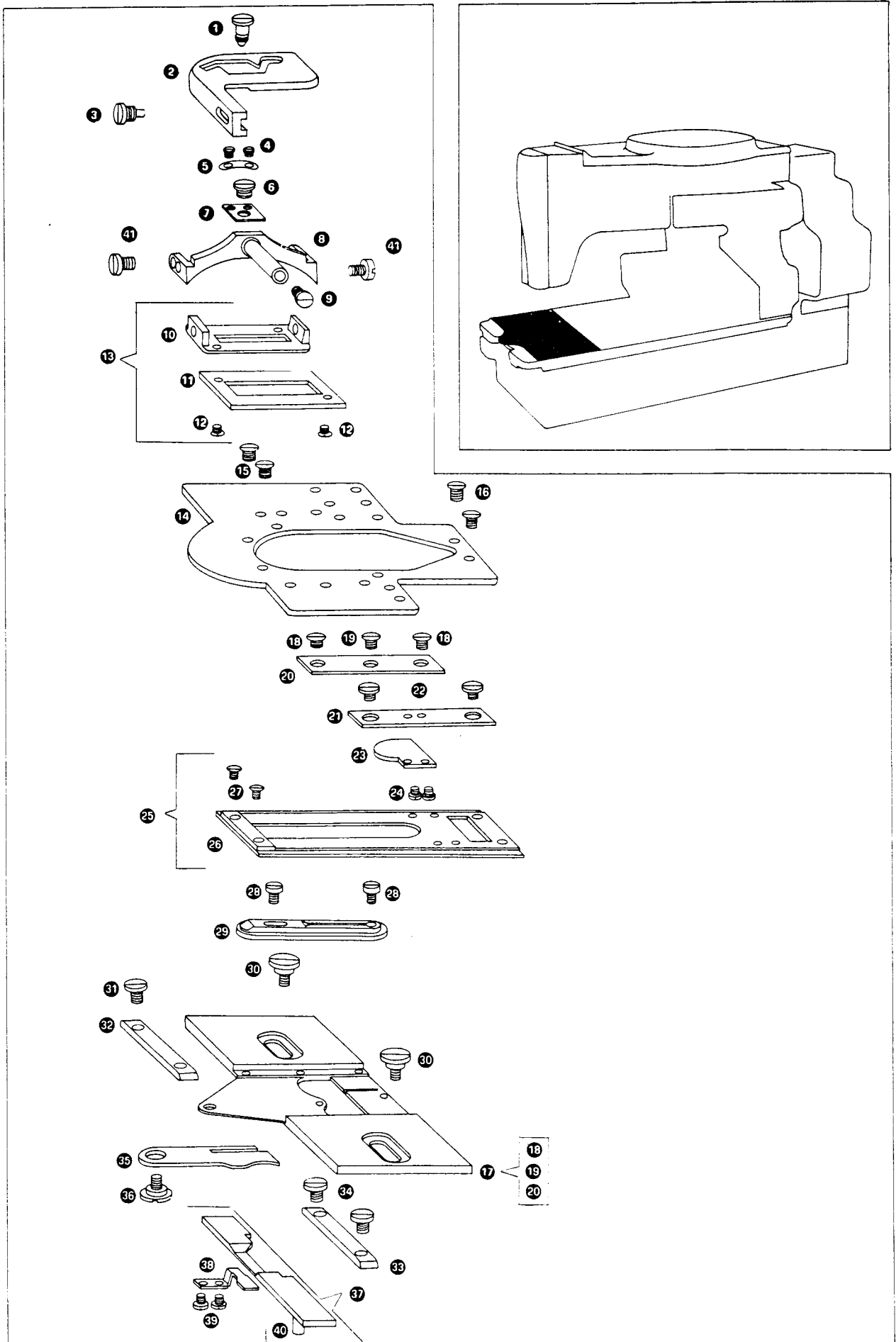
Parts List for 271K12 Machine

Ref. No.	Part No. For Ordering	Description	Amt. Req.
1	61(806)	Starting Lever Rod Hinge Screw	
2	124(803)	Starting Lever Stop Screw	
3	1508(813)	Starting Lever Screw Centre Nut	
4	564(803)	Starting Lever Screw Centre	
5	58384	Starting Lever Screw Centre with 1508(813)	
6	271937	Starting Lever Bracket	
7	1469(803)	Tension (side of arm) Releaser Lever Stop Screw Stud	
8	8582	Starting Lever Bracket Dowel Pin	2
9	123(805)	Starting Lever Bracket Screw	
10	1655(803)	Belt Shifter Operating Actuator Lock Nut	
11	350287(806)	Belt Shifter Operating Actuator Set Screw	
12	271522	Belt Shifter Operating Actuator	
13	717(833)	Starting Lever Adjusting Screw	
14	1520(809)	Starting Lever Adjusting Screw Nut	
15	271992	Starting Lever with 913(806) and 1638(804)	
16	1518(809)	Starting Lever Stop Screw Nut	
17	1241(804)	Tension (side of arm) Releaser Lever Spring Screw Stud	
18	350235(804)	Sewing Safety Lock Pitman Hinge Screw (back)	
19	271968	Stop Cam Interlocking Rod Guide with 1959	
20	1959	Knife Bar Driving Lever (intermediate) Roller and Screw Stud with 229(804) and 12424	
21	229(804)	Knife Bar Driving Lever (intermediate) Roller Cap Screw	
22	12424	Knife Bar Driving Lever (intermediate) Roller Cap Screw Washer	
23	39988	Stop Cam Interlocking Rod Guide Washer (nylon)	
24	271940	Stop Cam Interlocking Rod Guide with 1619(850) and 350635(830)	
25	350635(850)	Stop Cam Interlocking Rod Guide Set Screw	
26	1619(819)	Stop Cam Interlocking Rod Guide Set Screw Lock Nut	
27	21651	Stop Cam Interlocking Rod Spring	
28	249741	Stop Cam Interlocking Rod	
29	1638(804)	Stop Cam Interlocking Rod Spring Regulating Thumb Screw Nut	
30	913(806)	Stop Cam Interlocking Rod Spring Regulating Thumb Screw	
31	271627	Sewing Safety Lock Actuating Cam Plate	
32	181(804)	Sewing Safety Lock Actuating Cam Plate Screw	2
33	271626	Sewing Safety Lock Actuating Cam	
34	980(803)	Sewing Safety Lock Actuating Cam Hinge Screw	
35	980(803)	Sewing Safety Lock Pitman Hinge Screw (front)	
36	271633	Sewing Safety Lock Pitman complete Nos. 249947, 271632, two each 914(806) and 39541	
37	271632	Sewing Safety Lock Pitman (rear section)	
38	249947	Sewing Safety Lock Pitman (front section)	
39	39541	Sewing Safety Lock Pitman Screw Washer	
40	914(806)	Sewing Safety Lock Pitman Screw	
41	868(805)	Arm Screw (front)	2
42	748(805)	Arm Screw (back)	2
43	8582	Arm Dowel Pin	2



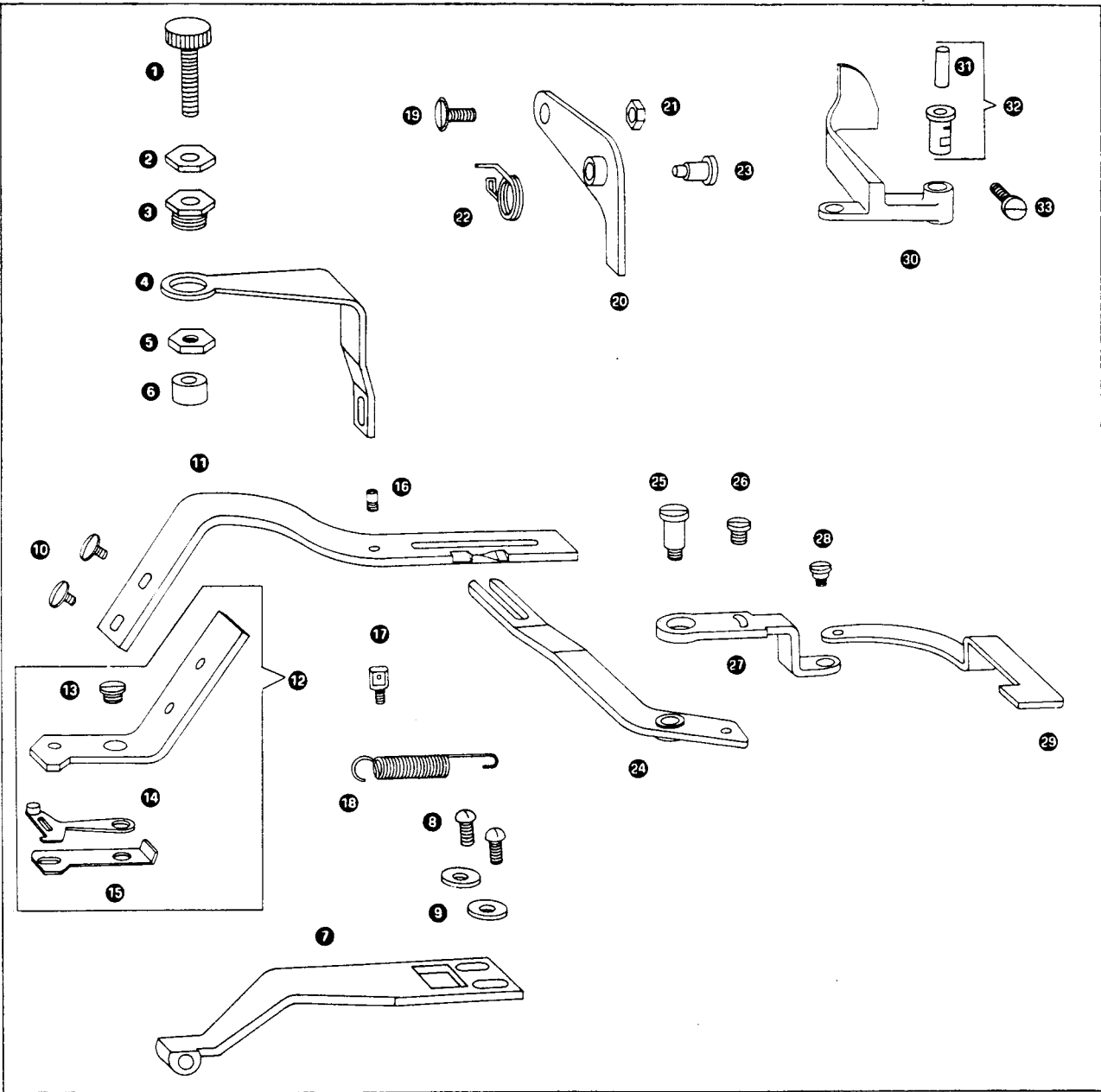
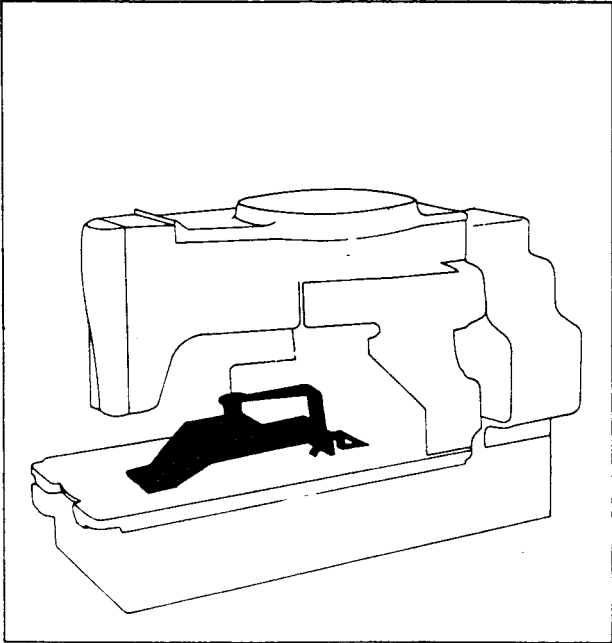
Parts List for 271K12 Machine

Ref. No.	Part No. For Ordering	Description	Amt. Req.
1	141626(850)	Thread (upper) Cutting Blade Guide Plate Follower Screw	
2	272000	Thread (upper) Cutting Blade Guide Plate	
3	51064(803)	Thread (upper) Cutting Blade Guide Plate Screw	
4	337(805)	Clamp Check Holder Adjusting Screw	2
5	249749	Clamp Check Holder Adjusting Screw Friction Plate	
6	237(804)	Clamp Check Holder Stop Screw	
7	39715	Clamp Check Holder Stop Screw Washer	
8	271849	Clamp Check Holder	
9	212(804)	Clamp Check Holder Hinge Cap Screw	
10	271403	Clamp Check	
11	271402	Clamp Check Mat Housing with 1/16 inch Rubber Mat	
12	141601(809)	Clamp Check Mat Housing Screw	2
13	271404	Clamp Check complete Nos. 271402, 271403 and two 141601(819)	
14	249753	Clamp Carrier Plate	
15	404(804)	Clamp Carrier Plate Screw (front)	2
16	1231(806)	Clamp Carrier Plate Screw (back)	2
17	271921	Clamp Carrier Slide with 1345(804), 271920 and two 756(804)	
18	756(804)	Clamp Carrier Guide (left) Screw (long)	2
19	1345(804)	Clamp Carrier Guide (left) Screw (short)	
20	271920	Clamp Carrier Guide (left)	
21	271922	Clamp Carrier Guide (right)	
22	1230(806)	Clamp Carrier Guide (right) Screw	2
23	271805	Thread (lower) Cutting Blade Friction Plate	
24	228(806)	Thread (lower) Cutting Blade Friction Plate Screw	2
25	23116	Clamp Carrier with 249735 and two 934(819)	
26	249735	Clamp Carrier Stay Plate	
27	934(819)	Clamp Carrier Stay Plate Screw	2
28	350234(804)	Needle Plate Screw	2
29	271947	Needle Plate	
30	1256(804)	Clamp Carrier Slide Screw	2
31	1094(803)	Clamp Carrier Slide Guide (left) Screw	2
32	271893	Clamp Carrier Slide Guide (left)	
33	271894	Clamp Carrier Slide Guide (right)	
34	1094(803)	Clamp Carrier Slide Guide (right) Screw	2
35	271749	Thread (lower) Pull-off	
36	141557(803)	Thread (lower) Pull-off Hinge Screw	
37	271780	Thread (lower) Cutting Blade Carrier with 40038	
38	271926	Thread (lower) Cutting Blade	
39	240(804)	Thread (lower) Cutting Blade Screw	2
40	40038	Thread (lower) Cutting Blade Carrier Stud	
41	1296(830)	Clamp Check Screw	2



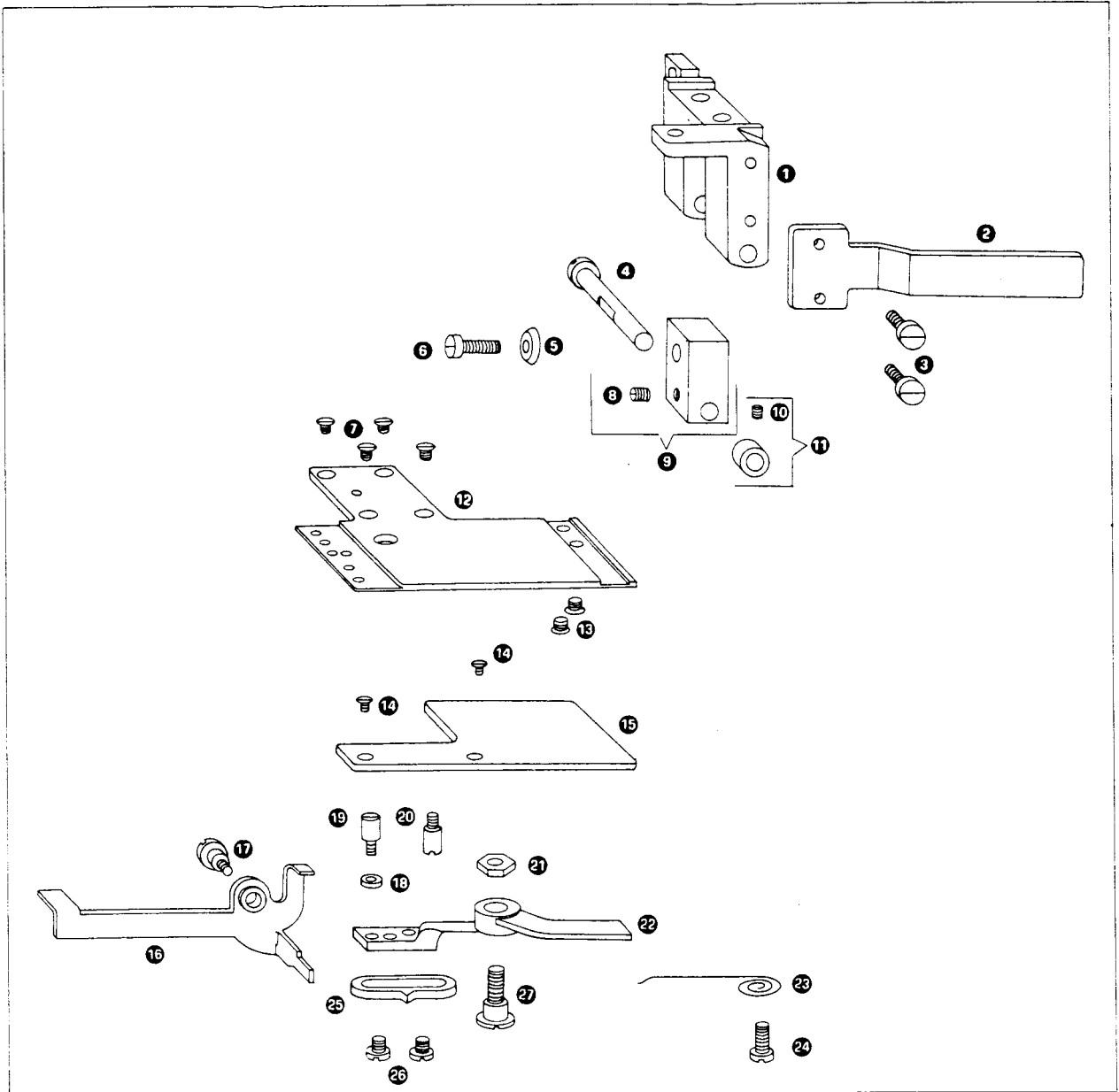
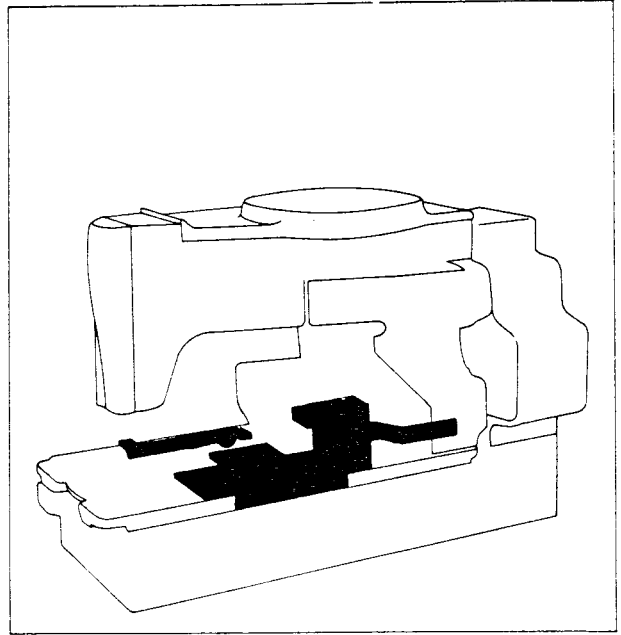
Parts List for 271K12 Machine

Ref. No.	Part No. For Ordering	Description	Amt. Req.
1	50221(804)	Clamp Spring Thumb Screw (pressure regulating)	
2	1521(805)	Clamp Spring Thumb Screw Lock Nut	
3	271702	Clamp Spring Thumb Screw Sleeve	
4	271450	Clamp Spring	
5	1623(819)	Clamp Spring Thumb Screw Sleeve Nut	
6	271546	Clamp Spring Thumb Screw Rest	
7	271845	Clamp Arm with 50166(805)	
8	141554(830)	Clamp Arm Screw	2
9	202622	Clamp Arm Screw Washer	2
10	1423(806)	Thread (upper) Cutting Blade Arm Screw	2
11	23327	Thread (upper) Cutting Blade Driving Arm with 141624(803)	
12	271995	Thread (upper) Cutting Blade Arm with 934(819), 271993 and 271994	
13	934(819)	Thread (upper) Cutting Blade Screw	
14	271994	Thread (upper) Cutting Blade	
15	271993	Thread (upper) Cutting Blade (stationary)	
16	141624(803)	Thread (upper) Cutting Blade Driving Arm Screw	
17	50166(805)	Thread (upper) Cutting Blade Driving Arm Actuating Lever Spring Screw Eye	
18	271998	Thread (upper) Cutting Blade Driving Arm Actuating Lever Spring	
19	141285	Thread (upper) Cutting Blade Driving Arm Latch Screw	
20	271425	Thread (upper) Cutting Blade Connecting End Latch	
21	1698	Thread (upper) Cutting Blade Driving Arm Latch Screw Nut	
22	271499	Thread (upper) Cutting Blade Driving Arm Latch Spring	
23	140071	Thread (upper) Cutting Blade Driving Arm Latch Hinge Screw	
24	271997	Thread (upper) Cutting Blade Driving Arm Actuating Lever	
25	141558(833)	Thread (upper) Cutting Lever Hinge Screw	
26	350459(804)	Thread (upper) Cutting Lever Connection Screw	
27	271689	Thread (upper) Cutting Lever Connection (adjustable)	
28	350265(803)	Thread (upper) Cutting Cam Follower Link Screw	
29	271453	Thread (upper) Cutting Cam Follower Link	
30	271452	Thread (upper) Cutting Cam Follower	
31	263572	Thread (upper) Cutting Cam Follower Hinge Stud Oil Packing (wick)	
32	232709	Thread (upper) Cutting Cam Follower Hinge Stud with 263572	
33	160(819)	Thread (upper) Cutting Cam Follower Hinge Stud Set Screw	



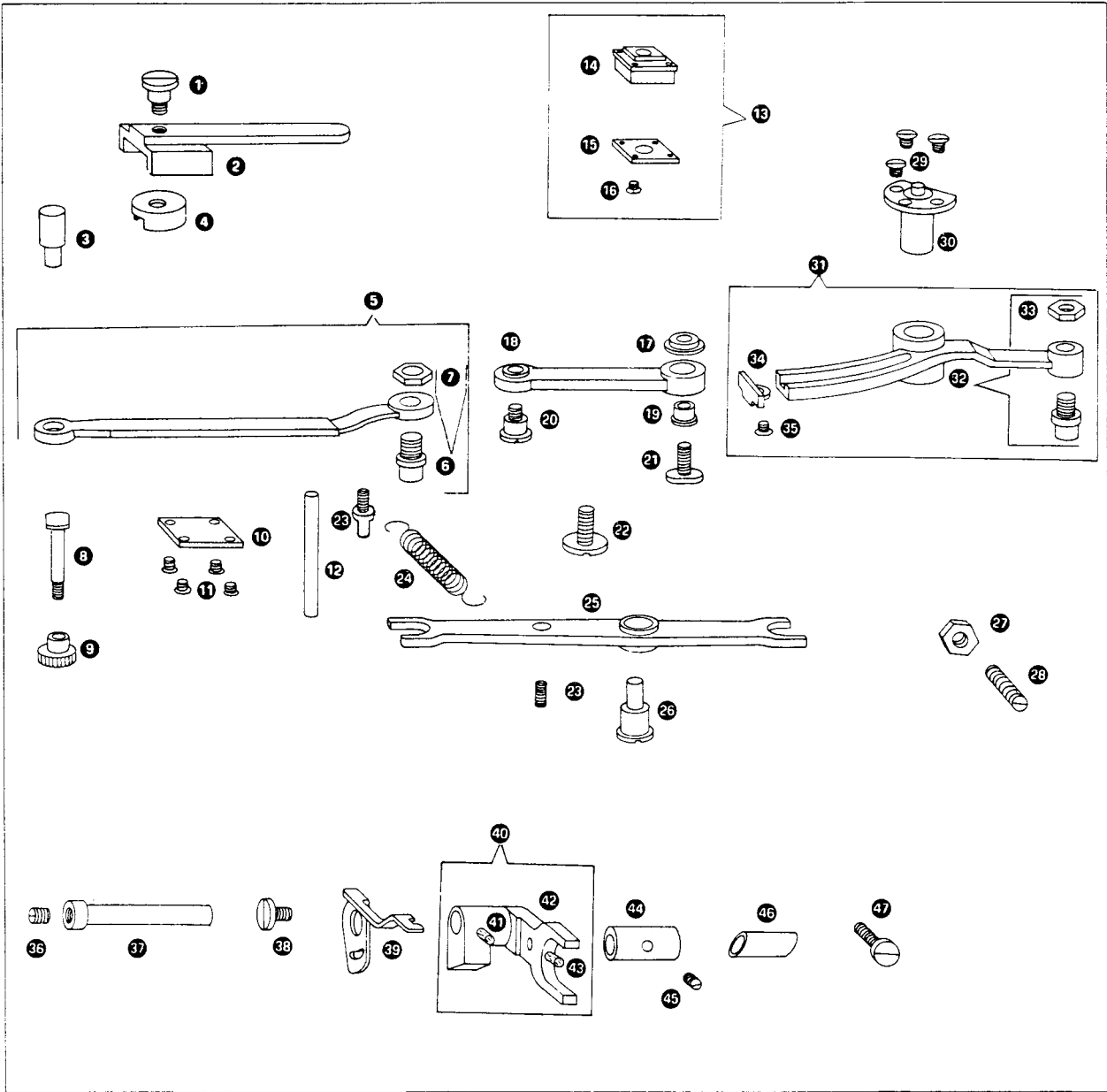
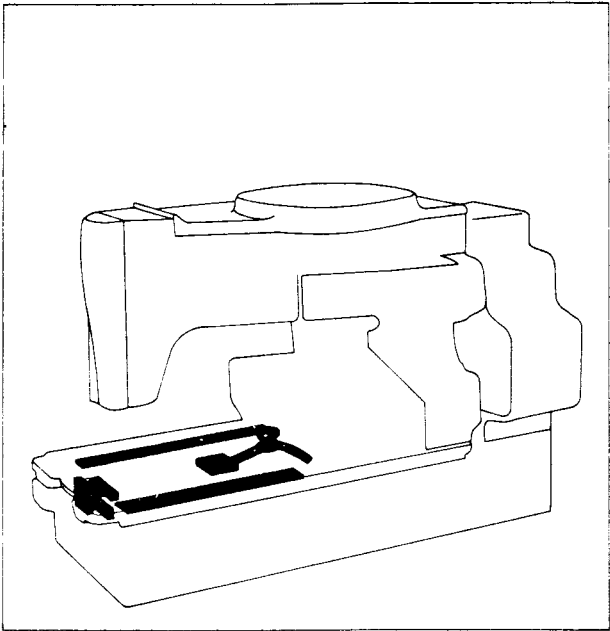
Parts List for 271K12 Machine

Ref. No.	Part No. For Ordering	Description	Amt. Req.
1	271846	Clamp Arm Hinge Block with 141624(803)	
2	271539	Clamp Lifting Arm	
3	690(804)	Clamp Lifting Arm Screw	2
4	271533	Clamp Arm Hinge Block Pin	
5	23390	Clamp Spring Screw Washer	
6	157(806)	Clamp Spring Screw	
7	1235(806)	Clamp Plate Screw	4
8	889(830)	Clamp Arm Hinge Block Pin Set Screw	
9	271543	Clamp Plate Block with 889(830)	
10	201052(833)	Clamp Arm Hinge Block Pin Collar Set Screw	
11	227224	Clamp Arm Hinge Block Pin Collar with 201052(833)	
12	271542	Clamp Plate	
13	397(805)	Clamp Plate Block Screw	2
14	50156(804)	Clamp Plate Support Screw	2
15	271544	Clamp Plate Support	
16	249922	Stop Lever	
17	50416(806)	Stop Lever Hinge Screw	
18	250444	Feed Wheel Tripping Lever Screw Stud Washer	
19	646(806)	Feed Wheel Tripping Lever Screw Stud	
20	184(805)	Feed Wheel Tripping Lever Stop Screw	
21	1620(805)	Feed Wheel Tripping Lever Hinge Screw Nut	
22	271933	Feed Wheel Tripping Lever	
23	23435	Feed Wheel Tripping Lever Spring	
24	190(804)	Feed Wheel Tripping Lever Spring Screw	
25	271951	Feed Wheel Tripping Lever Point	
26	203(803)	Feed Wheel Tripping Lever Point Screw	2
27	350237(803)	Feed Wheel Tripping Lever Hinge Screw	



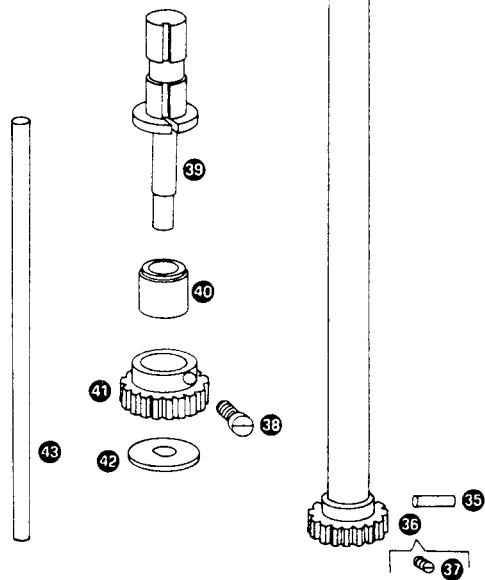
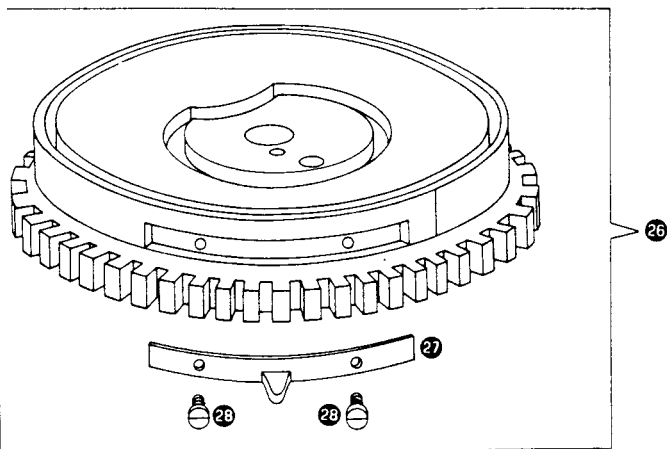
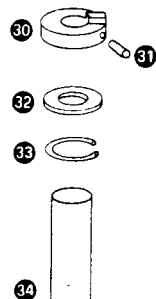
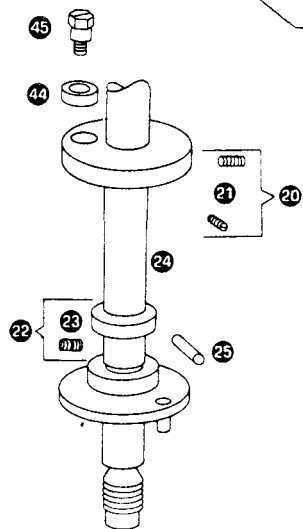
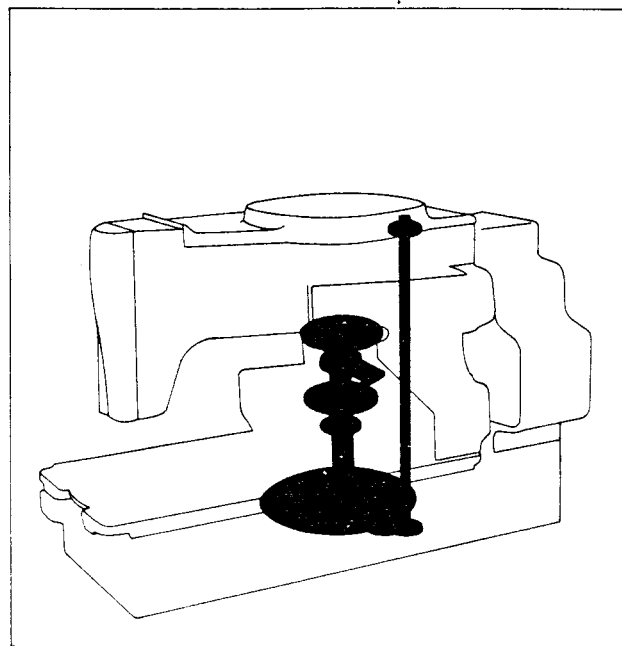
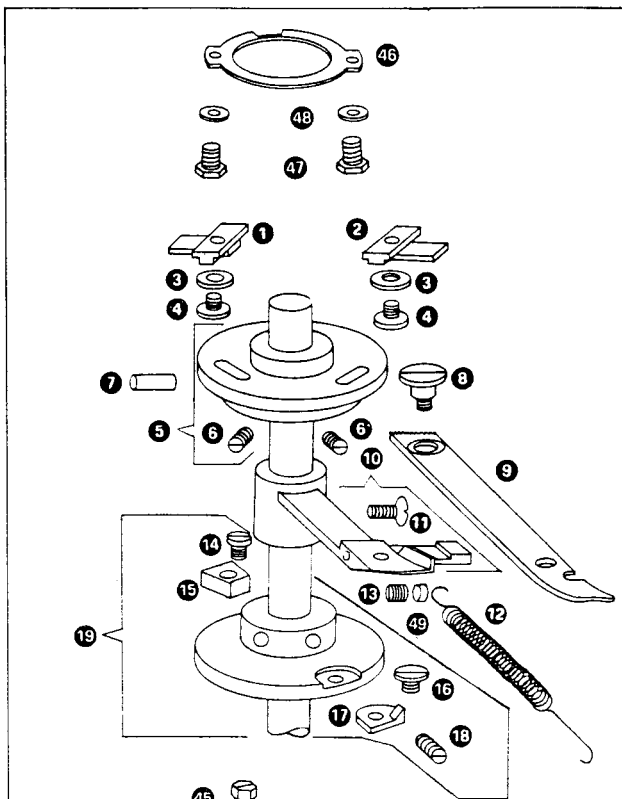
Parts List for 271K12 Machine

Ref. No.	Part No. For Ordering	Description	Amt. Req.
1	67(804)	Clamp Carrier Slide Lever Regulator Screw	
2	271895	Clamp Carrier Slide Lever Regulator	
3	271896	Clamp Carrier Slide Regulating Stud Bushing	
4	271891	Clamp Carrier Slide Lever Socket Joint	
5	99777	Clamp Carrier Slide Lever with 113314	
6	113314	Clamp Carrier Slide Lever Screw Stud with 1520(809)	
7	1520(809)	Clamp Carrier Slide Lever Roller and Screw Stud Nut	
8	1234(803)	Clamp Carrier Slide Regulating Stud	
9	1658(803)	Clamp Carrier Slide Regulating Stud Thumb Nut	
10	23396	Clamp Carrier Slide Lever Regulator Cap	
11	223(804)	Clamp Carrier Slide Lever Regulator Cap Screw	4
12	271799	Oil Supply Tube	
13	106152	Clamp Carrier Block with 40007, and four 404(804)	
14	106151	Clamp Carrier Block	
15	40007	Clamp Carrier Block Plate	
16	404(804)	Clamp Carrier Block Plate Screw	4
17	1671(803)	Clamp Carrier Regulator Stud Nut	
18	271892	Clamp Carrier Connecting Rod	
19	39532	Clamp Carrier Regulator Stud Sleeve	
20	52(803)	Clamp Carrier Connecting Rod Hinge Screw	
21	141597(803)	Clamp Carrier Regulator Stud	
22	141675(803)	Clamp Carrier Regulator Cap Screw	
23	1241(804)	Thread (lower) Cutting Blade Carrier Lever Spring Screw Stud	2
24	249534	Thread (lower) Cutting Blade Carrier Lever Spring	
25	271800	Thread (lower) Cutting Blade Carrier Lever	
26	32(806)	Thread (lower) Cutting Blade Carrier Lever Hinge Screw	
27	1520(809)	Thread (lower) Cutting Blade Carrier Lever Stop Screw Nut	
28	435(833)	Thread (lower) Cutting Blade Carrier Lever Stop Screw	
29	742(819)	Clamp Carrier Regulator Bearing Screw	3
30	271535	Clamp Carrier Regulator Bearing	
31	99774	Clamp Carrier Regulator with 240(804), 39583 and 113314	
32	113314	Clamp Carrier Regulator Screw Stud with 1520(809)	
33	1520(809)	Clamp Carrier Regulator Roller and Screw Stud Nut	
34	39583	Clamp Carrier Regulator Stud Stop	
35	240(804)	Clamp Carrier Regulator Stud Stop Screw	
36	271833	Bobbin Case Opener Bracket Oil Regulating Screw Stud	
37	271832	Bobbin Case Opener Bracket Hinge Stud	
38	141678(805)	Bobbin Case Stop Screw	
39	271418	Bobbin Case Stop	
40	271527	Bobbin Case Opener Bracket with 271828, 271829, 271974	
41	271974	Bobbin Case Opener Bracket Hinge Stud Oiling Felt	
42	271829	Bobbin Case Opener Bracket Oiling Felt Pin	
43	271828	Bobbin Case Opener Bracket Oiling Felt	
44	271417	Bobbin Case Opener Bracket Adjusting Collar	
45	50379	Bobbin Case Opener Bracket Adjusting Collar Set Screw	
46	271741	Bobbin Case Opener Bracket Hinge Stud Oil Drip Guide	
47	141602(803)	Bobbin Case Opener Bracket Hinge Stud Position Screw	



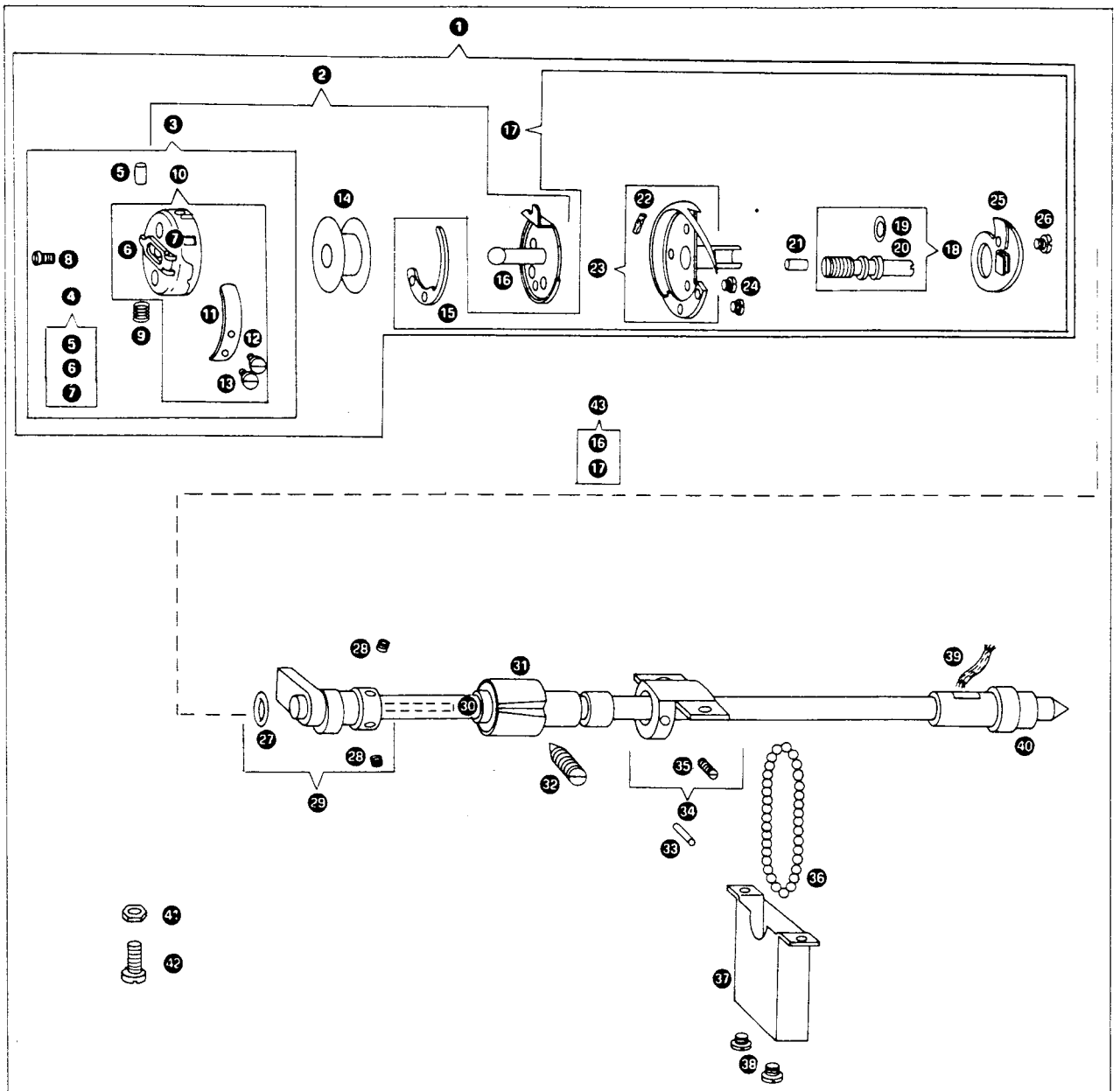
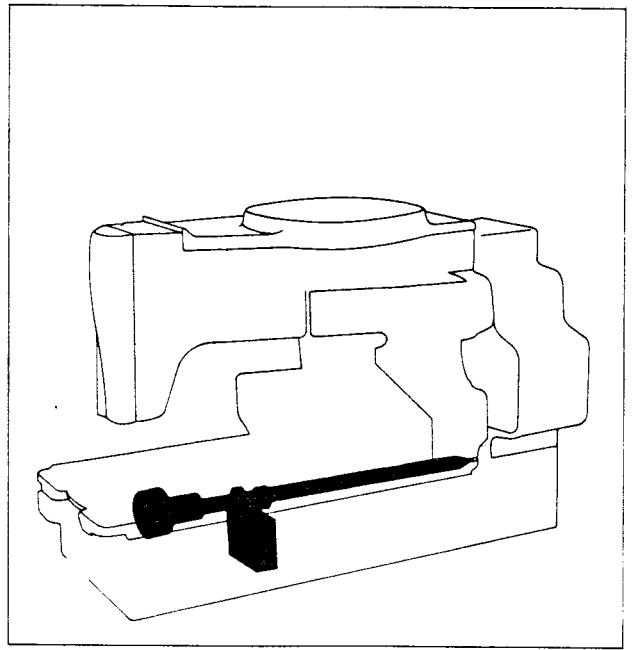
Parts List for 271K12 Machine

Ref. No.	Part No. For Ordering	Description	Amt. Req.
1	271839	Barring Plate (first bar)	
2	271840	Barring Plate (second bar)	
3	206482	Barring Plate Screw Washer	2
4	141644(803)	Barring Plate Screw	2
5	271485	Barring Plate Cam with two 448(833)	
6	448(833)	Barring Plate Cam Set Screw	2
7	40025	Barring Plate Cam Position Pin	
8	50057(804)	Feed Hand Ratchet Lever Hinge Screw	
9	271757	Feed Hand Ratchet Lever	
10	271758	Feed Hand Ratchet Lever Bracket with 1241(804)	
11	1241(804)	Feed Hand Ratchet Lever Bracket Spring Screw Stud	
12	271772	Feed Hand Ratchet Lever Bracket Spring	
13	453(830)	Feed Hand Ratchet Lever Hinge Screw Lock Screw	
14	175(805)	Knife Bar Disengaging Lever Catch Tripping Point Screw	
15	23466	Knife Bar Disengaging Lever Catch Tripping Point	
16	756(805)	Belt Shifter Trip Point Screw	
17	249863	Belt Shifter Trip Point	
18	448(833)	Knife Bar Disengaging Lever Catch Tripping Point Collar Set Screw	2
19	249869	Knife Bar Disengaging Lever Catch Tripping Point Collar with 175(805), 756(805), 23466, 249863 and two 448(833)	
20	271451	Thread (upper) Cutting Cam with 141671(803), 351894 and two 145(805)	
21	145(805)	Thread (upper) Cutting Cam Screw	2
22	271573	Feed Wheel Shaft Thrust Collar with 460(830)	
23	460(830)	Feed Wheel Shaft Thrust Collar Set Screw	
24	271927	Feed Wheel Shaft	
25	9046	Feed Wheel Shaft Thrust Collar Position Pin	
26	271564	Feed Wheel with 271795 and two 141563(805)	
27	271795	Feed Wheel Tripping Point	
28	141563(805)	Feed Wheel Tripping Point Screw	2
29	201668(805)	Feed Wheel Clamping Nut	
30	271649	Stitch Regulating Gear Driver	
31	239515	Stitch Regulating Gear Driver Pin (spirol)	
32	271569	Feed Wheel Driving Shaft Washer	
33	265672	Feed Wheel Driving Shaft Retaining Ring	
34	271565	Feed Wheel Driving Shaft	
35	239515	Feed Wheel Driving Shaft Gear Position Pin (spirol)	
36	271566	Feed Wheel Driving Shaft Gear with 904(830)	
37	904(830)	Feed Wheel Driving Shaft Gear Position Screw	
38	141602(803)	Feed Wheel Driving Shaft Gear (intermediate) Stud Set Screw	
39	22963	Feed Wheel Driving Shaft Gear (intermediate) Stud	
40	22964	Feed Wheel Driving Shaft Gear (intermediate) Bushing	
41	22963	Feed Wheel Driving Shaft Gear (intermediate)	
42	22965	Feed Wheel Driving Shaft Gear (intermediate) Bushing Washer	
43	235706	Feed Wheel Driving Shaft Oiling Wick	
44	351894	Thread (upper) Cutting Cam Roller	
45	141671(803)	Thread (upper) Cutting Cam Roller Screw Stud	
46	271880	Barring Tie Stitch Plate	
47	141644(803)	Barring Tie Stitch Plate Screw	2
48	206482	Barring Tie Stitch Plate Screw Washer	2
49	204479	Feed Hand Ratchet Lever Hinge Screw Lock Screw Insert	



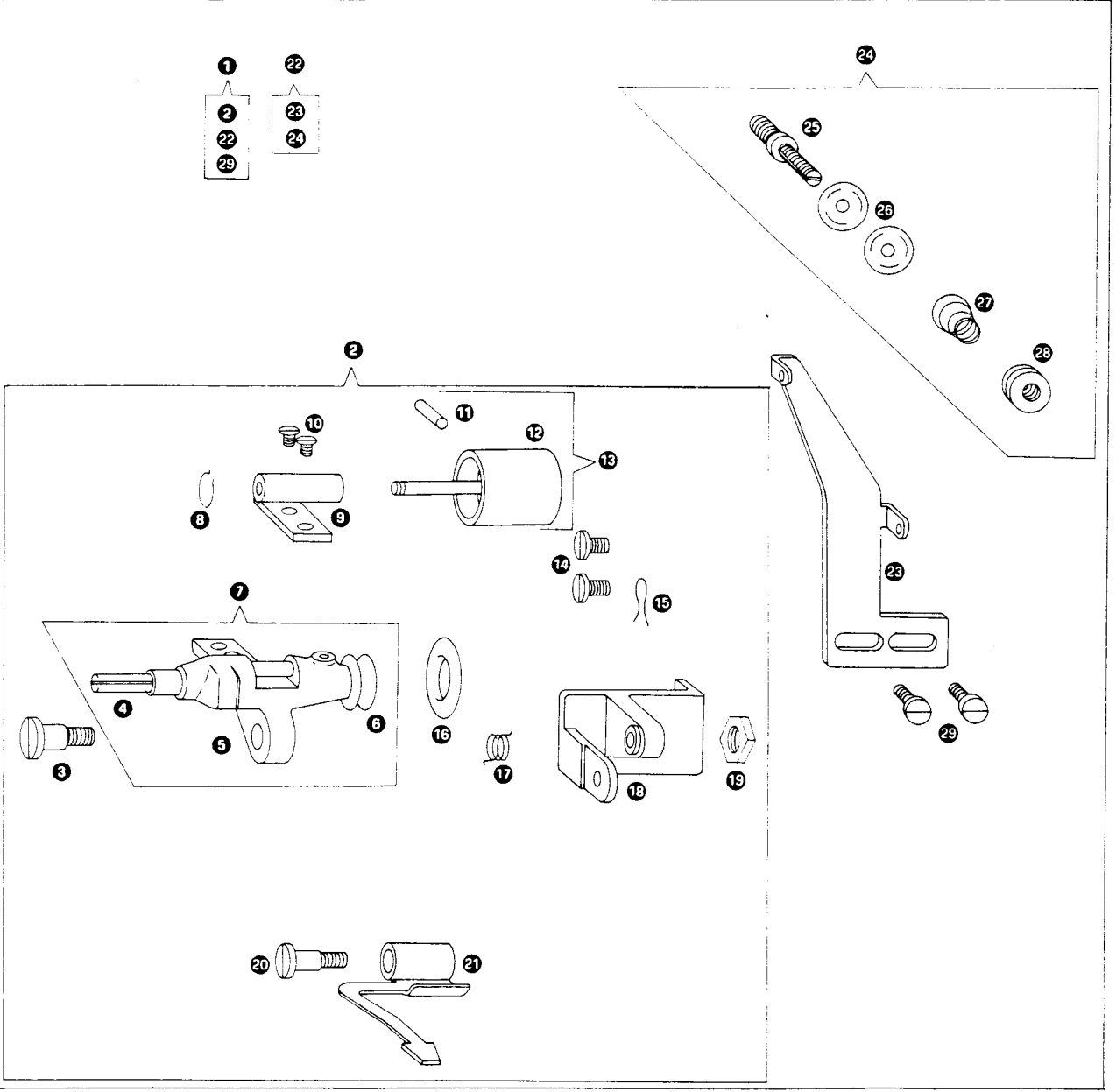
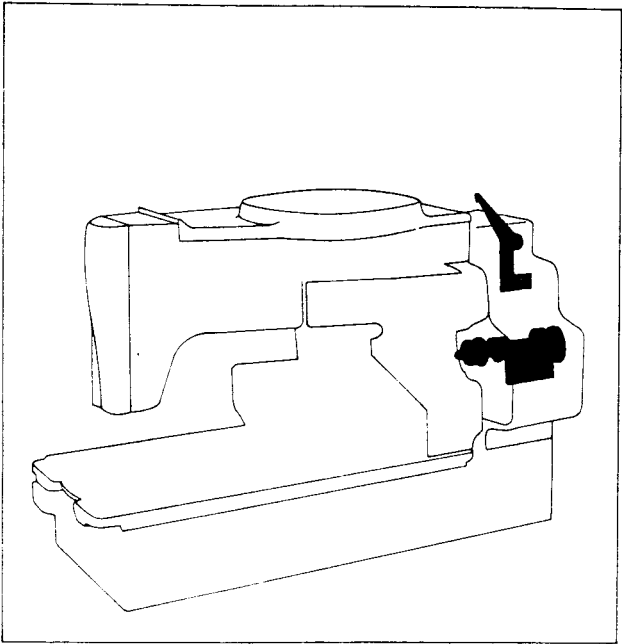
Parts List for 271K12 Machine

Ref. No.	Part No. For Ordering	Description	Amt. Req.
1	107122	Hook Sewing and Bobbin Case complete	
2	107120	Bobbin Case complete	
3	107118	Bobbin Case Cap complete	
4	271787	Bobbin Case Latch with 210734 and 210735	
5	210735	Bobbin Case Latch Fulcrum Pin	
6	271786	Bobbin Case Latch	
7	210734	Bobbin Case Latch Lever	
8	592(805)	Bobbin Case Latch Stop Screw	
9	210736	Bobbin Case Latch Spring	
10	107116	Bobbin Case Cap with 591(806), 106426 and 141514(803)	
11	106426	Bobbin Case Tension Spring	
12	141514(803)	Bobbin Case Tension Spring Regulating Screw	
13	591(806)	Bobbin Case Tension Spring Screw	
14	233028	Bobbin	
15	106190	Hook Gib	
16	271419	Bobbin Case Base	
17	106267	Hook (sewing) with 106190, 141507, 210541, 271471, 271593 and two 141525	
18	271471	Hook Oil Control Screw Stud with 271808	
19	271808	Hook Oil Control Screw Stud Seal Ring (rubber)	
20	271592	Hook Oil Control Screw Stud	
21	271593	Hook Oil Control Screw Stud Pin	
22	502535	Hook Oiling Felt	
23	106189	Hook Sewing with 502535	
24	141525(806)	Hook Gib Screw	2
25	210541	Hook Washer Needle Guard	
26	141507(803)	Hook Washer Needle Guard Screw	
27	244746	Hook Oil Seal Ring (rubber)	
28	141547(830)	Hook Set Screw	2
29	271585	Hook Driving Shaft with 244746 and two 141547(830)	
30	271788	Hook Driving Shaft Oil Packing (wick)	
31	271456	Hook Driving Shaft Bushing (front) (adjustable)	
32	141629(830)	Hook Driving Shaft Bushing (front) (adjustable) Set-Screw	
33	271591	Hook Driving Shaft Oil Tube (brass)	
34	271475	Hook Driving Shaft Oil Chain Guard (upper) with 350595(850)	
35	350595(850)	Hook Driving Shaft Oil Chain Guard (upper) Set Screw	
36	271589	Hook Driving Shaft Oil Chain (endless)	
37	271474	Hook Driving Shaft Oil Chain Guard (lower)	
38	50579(805)	Hook Driving Shaft Oil Chain Guard (lower) Screw	2
39	271830	Hook Driving Shaft Bushing (back) Oil Packing (wick)	
40	271586	Hook Driving Shaft Bushing (back)	
41	53569(805)	Bed Leg Extension (adjustable) Lock Nut	
42	141659(805)	Bed Leg Extension (adjustable) Screw	
43	106268	Hook (sewing) with 271419	



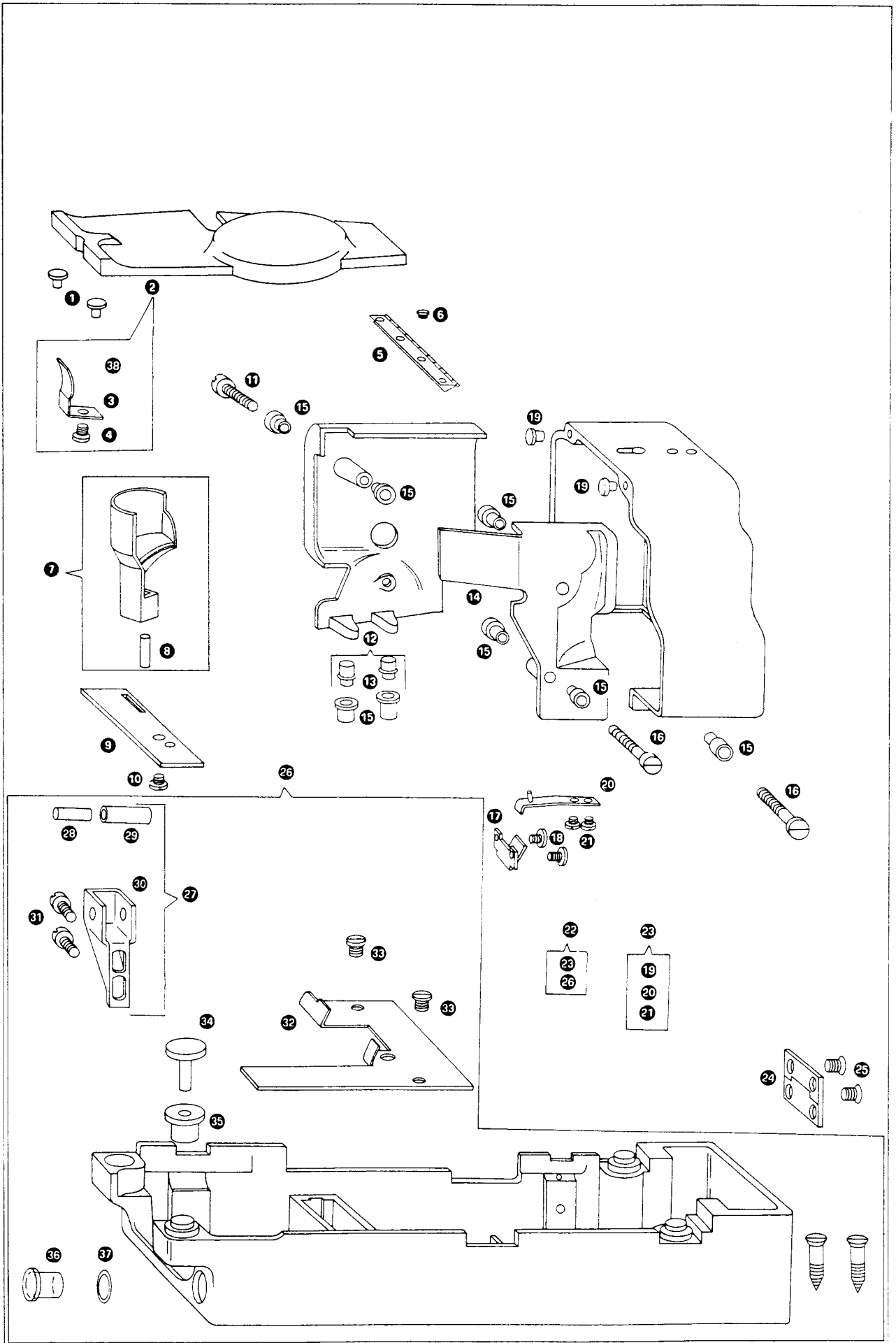
Parts List for 271K12 Machine

Ref. No.	Part No. For Ordering	Description	Amt. Req.
1	271717	Bobbin Winder with Thread Guide complete	
2	271713	Bobbin Winder complete	
3	50356(804)	Bobbin Winder Frame Hinge Screw	
4	235345	Bobbin Winder Spindle	
5	271705	Bobbin Winder Frame	
6	271711	Bobbin Winder Spindle Pulley	
7	271706	Bobbin Winder Frame with 225345 and 271711	
8	239241	Bobbin Winder Pulley Shaft Retaining Ring	
9	271709	Bobbin Winder Pulley Bracket	
10	171(831)	Bobbin Winder Pulley Bracket Screw	2
11	271710	Bobbin Winder Pulley Shaft	-
12	271707	Bobbin Winder Pulley	
13	271708	Bobbin Winder Pulley with 271710	
14	160(804)	Bobbin Winder Base Screw	2
15	240245	Bobbin Winder Base Screw Retaining Spring	
16	271798	Bobbin Winder Friction Ring (rubber)	
17	249716	Bobbin Winder Frame Spring	
18	271704	Bobbin Winder Base	
19	1620(819)	Bobbin Winder Frame Hinge Screw Nut	
20	35(804)	Bobbin Winder Stop Latch Hinge Screw	
21	271712	Bobbin Winder Stop Latch	
22	271715	Bobbin Winder Thread Guide with 271948	
23	271714	Bobbin Winder Thread Guide	
24	271948	Bobbin Winder Tension complete	
25	418(804)	Bobbin Winder Tension Screw Stud	
26	2455	Bobbin Winder Tension Disc	2
27	232515	Bobbin Winder Tension Spring	
28	1562(819)	Bobbin Winder Tension Regulating Thumb Nut	
29	792(804)	Bobbin Winder Thread Guide Screw	2



Parts List for 271K12 Machine

Ref. No.	Part No. For Ordering	Description	Amt. Req.
1	228661	Arm Top Cover Cushion (rubber)	2
2	271512	Arm Top Cover with 190(804), 23135 and 271761	
3	271761	Arm Top Cover Lock Spring	
4	190(804)	Arm Top Cover Lock Spring Screw	
5	271514	Arm Top Cover Hinge	
6	934(819)	Arm Top Cover Hinge Screw	8
7	271415	Bed Oil Guard with 249883	
8	249883	Bed Oil Guard Tube (brass)	
9	271416	Clamp Carrier Regulator Slide	
10	1235(806)	Bed Oil Guard Screw	
11	141572(819)	Arm Side Cover (left) Screw	
12	271837	Arm Side Cover (left) with two 271804	
13	271804	Arm Side Cover (left) Position Pin	2
14	271511	Arm Side Cover (right)	
15	271791	Arm Side Cover Insert Cushion (rubber)	8
16	141572(819)	Arm Side Cover (right) Screw	2
17	271752	Belt Guard Lock Spring Catch	
18	176(813)	Belt Guard Lock Spring Catch Screw	2
19	228661	Belt Guard Cushion (rubber)	2
20	271435	Belt Guard Lock Spring	
21	217(805)	Belt Guard Lock Spring Screw	2
22	271726	Machine Base and Belt Guard complete	
23	271718	Belt Guard with 271435, two each 217(805) and 228661	
24	271732	Belt Guard Hinge	
25	389(819)	Belt Guard Hinge Screw	2
26	271721	Machine Base assembly	
27	23162	Machine Hinge Connection Bracket with 271778 and 271779	
28	271778	Machine Hinge Connection Pin (spiral)	
29	271779	Machine Hinge Connection Pin Sleeve (plastic)	
30	271431	Machine Hinge Connection Bracket	
31	50615(819)	Machine Hinge Connection Bracket Screw	2
32	271723	Machine Base Oil Reservoir Cover	
33	203(805)	Machine Base Oil Reservoir Cover Screw	2
34	271762	Machine Base Cushion Cap	
35	271722	Machine Base Cushion (rubber)	
36	243798	Machine Base Oil Level Indicator	
37	243799	Machine Base Oil Level Indicator Oil Seal (neoprene)	
38	23135	Stitch Regulating Gear Chart	

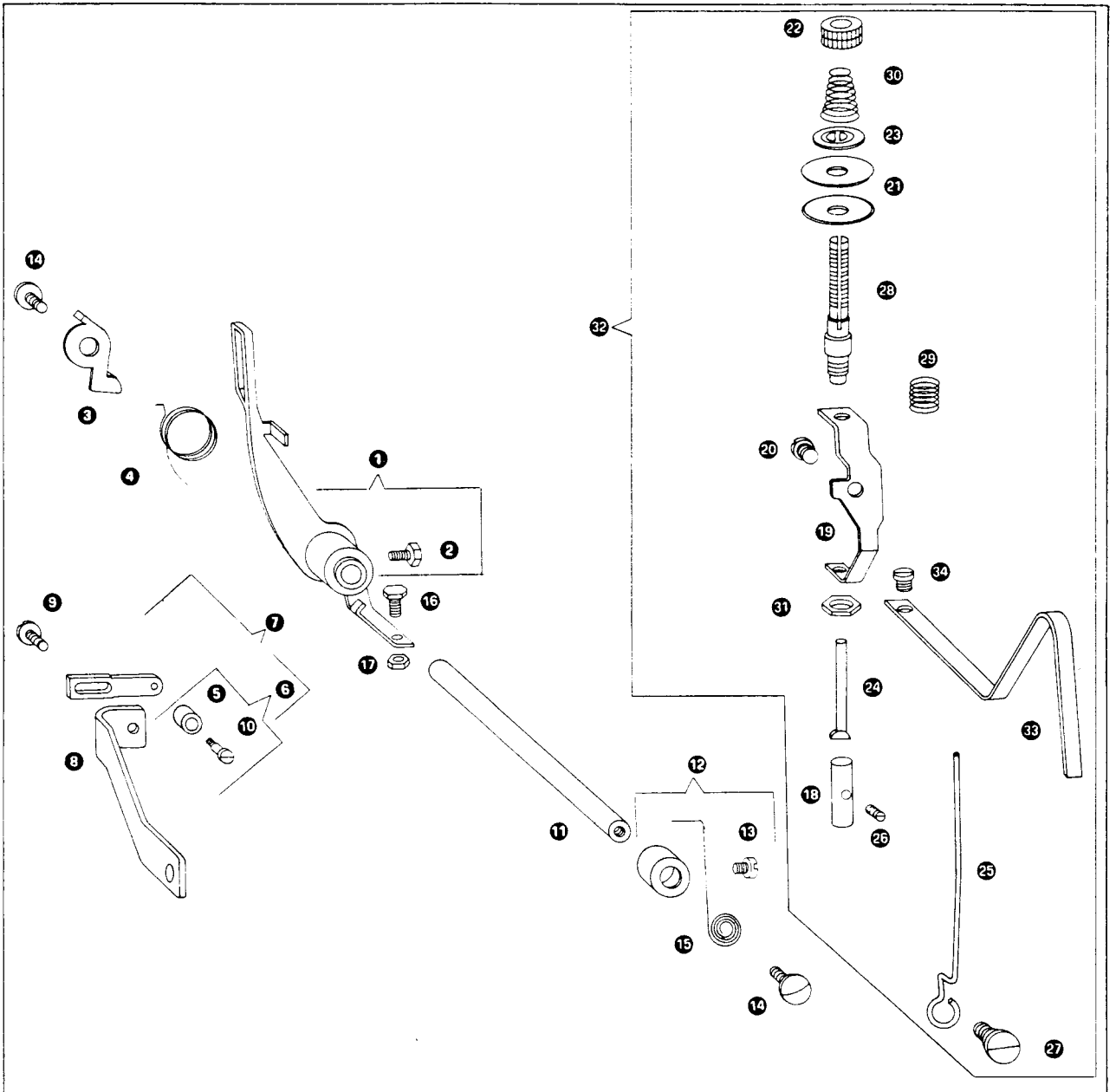
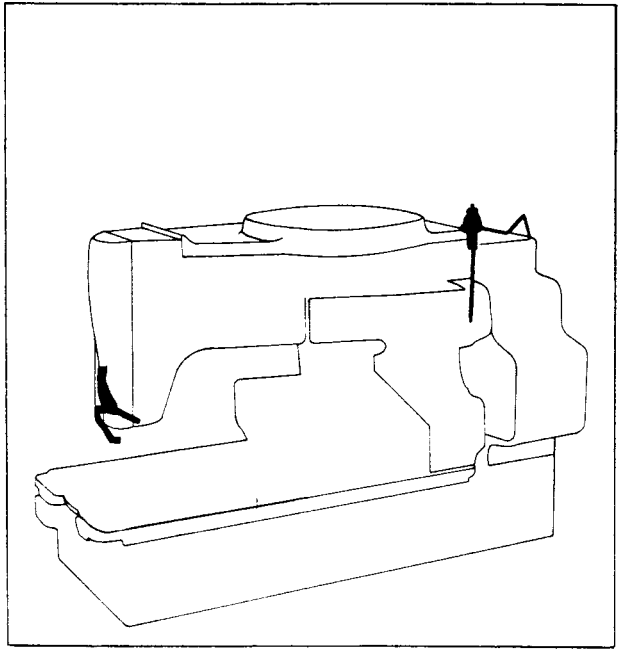


Parts List for 271K12 Machine

Ref. No.	Part No. For Ordering	Description	Amt. Req.
1	271858	Needle Thread Pull-off with 350287(803)	
2	350287(803)	Needle Thread Pull-off Hub Screw	
3	271859	Needle Thread Pull-off Latch	
4	271860	Needle Thread Pull-off Latch Spring	
5	201883	Needle Thread Pull-off Roller	
6	351895	Needle Thread Pull-off Roller with 141661(803)	
7	271980	Needle Thread Pull-off Roller Arm with 351895	
8	271981	Needle Thread Pull-off Roller Arm Bracket	
9	203(819)	Needle Thread Pull-off Roller Arm Screw	
10	141661(803)	Needle Thread Pull-off Roller Screw Stud	
11	271982	Needle Thread Pull-off Shaft	
12	271457	Needle Thread Pull-off Shaft Collar with 141625(803)	
13	141625(803)	Needle Thread Pull-off Shaft Collar Set Screw	
14	1423(804)	Needle Thread Pull-off Shaft Screw	2
15	271983	Needle Thread Pull-off Shaft Spring	
16	350229(805)	Needle Thread Pull-off Stop Screw	
17	1550(809)	Needle Thread Pull-off Stop Screw Nut	
18	271984	Needle Thread Tension (rear) Actuator with 336(806)	
19	271985	Needle Thread Tension (rear) Bracket	
20	161(804)	Needle Thread Tension (rear) Bracket Screw	
21	32012	Needle Thread Tension (rear) Disc	2
22	1560(803)	Needle Thread Tension (rear) Regulating Thumb Nut	
23	32572	Needle Thread Tension (rear) Releasing Disc	
24	39635	Needle Thread Tension (rear) Releasing Pin	
25	271986	Needle Thread Tension (rear) Rod	
26	50057(804)	Needle Thread Tension (rear) Rod Actuator Screw	
27	336(806)	Needle Thread Tension (rear) Rod Set Screw	
28	350399(806)	Needle Thread Tension (rear) Screw Stud	
29	271987	Needle Thread Tension (rear) Secondary Spring	
30	271665	Needle Thread Tension (rear) Spring	
31	1664(805)	Needle Thread Tension (rear) Stud Lock Nut	
32	271988	Needle Thread Tension (rear) complete	
33	271488	Needle Thread Tension Guide	
34	191(805)	Needle Thread Tension Guide Screw	

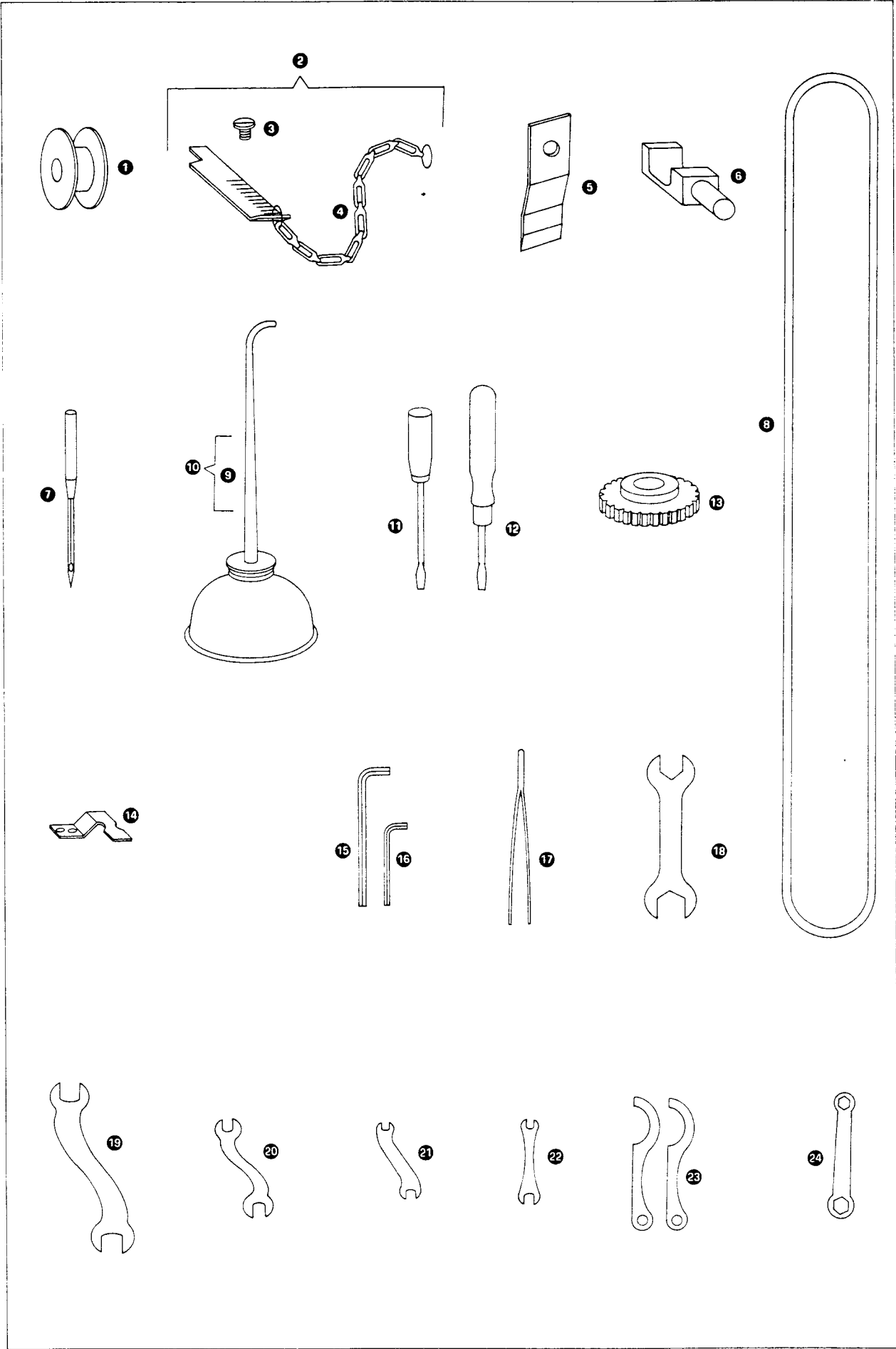
Accessories for 271K12 Machines

Ref. No.	Part No. For Ordering	Description	Amt. Req.
1	233028	Bobbin	2
2	249698	Gauge for setting length of buttonhole with 200137(819) and 249789.	
3	200137(819)	Gauge Chain and Ring Screw	
4	249789	Gauge Chain and Ring	
5	98733	Knife 3/8 inch	
	98737	Knife 5/8 inch	
	98738	Knife 11/16 inch	
6	271703	Machine Hinge Connection	2
7	Cat. No. 1526	Needles, Chromium finish, three each sizes 12 and 14	
8	271797	Machine Driving Belt (endless) (5/16 inch diameter—46 inches long)	
9	120346	Oiler (copper plated) with 120347	
10	120347	Oiler Spout, 8-1/2 inches long	
11	161295	Screw Driver (plastic handle) (small)	
12	161294	Screw Driver (plastic handle) (large)	
13	271640	Stitch Regulating Gear 40 teeth	
	271643	Stitch Regulating Gear 48 teeth	
	271636	Stitch Regulating Gear 36 teeth	
	271645	Stitch Regulating Gear 54 teeth	
	271641	Stitch Regulating Gear 45 teeth	2
14	271926	Thread (lower) Cutting Blade	
15	239353	Wrench	
16	267242	Wrench	
17	255513	Tweezers	
18	21654	Wrench	
19	255541	Wrench	
20	255540	Wrench	
21	23535	Wrench	
22	249820	Wrench	
23	232935	Wrench	
24	249945	Wrench	



Fittings for 271K12 Machine

Ref. No.	Part No. For Ordering	Description	Amt. Req.
	271847	Clamp Check Arm, 3/8 to 1 1/16 inch Buttonholes	
	101813	Clamp Check, 3/8 to 1 inch Buttonholes for 101814	
	101814	Clamp Check, (1/16 inch thick rubber mat) complete Nos. 101813, 271405 and two 141601(809) for 3/8 to 1 inch Buttonholes for use with 101816	
	101815	Clamp Check (serrated) 3/8 to 1 inch Buttonholes for use with 101816	
	101816	Clamp Check Holder for use with 101814 and 101815	
	271405	Clamp Check Flat Housing with 1/16 inch thick rubber mat for 101814	
	98731	Knife for 1/4 inch Buttonhole	
	98732	Knife for 5/16 inch Buttonhole	
	98733	Knife for 3/8 inch Buttonhole	
	98734	Knife for 7/16 inch Buttonhole	
	98736	Knife for 9/16 inch Buttonhole	
	98737	Knife for 5/8 inch Buttonhole	
	98738	Knife for 11/16 inch Buttonhole	
	98739	Knife for 3/4 inch Buttonhole	
	98740	Knife for 13/16 inch Buttonhole	
	98741	Knife for 7/8 inch Buttonhole	
	98742	Knife for 15/16 inch Buttonhole	
	23115	Knife for 63/64 inch Buttonhole	
	23164	Needle Plate (narrow needle slot 0.046 inch)	
	271634	Stitch Regulating Gear 30 teeth	
	271635	Stitch Regulating Gear 32 teeth	
	271636	Stitch Regulating Gear 36 teeth	
	271637	Stitch Regulating Gear 36 teeth	
	271638	Stitch Regulating Gear 36 teeth	
	271458	Stitch Regulating Gear 40 teeth	
	271640	Stitch Regulating Gear 40 teeth	
	271459	Stitch Regulating Gear 44 teeth	
	271642	Stitch Regulating Gear 48 teeth	
	271643	Stitch Regulating Gear 48 teeth	
	271641	Stitch Regulating Gear 45 teeth	
	271645	Stitch Regulating Gear 54 teeth	
	271646	Stitch Regulating Gear 60 teeth	
	271647	Stitch Regulating Gear 60 teeth	
	271648	Stitch Regulating Gear 60 teeth	

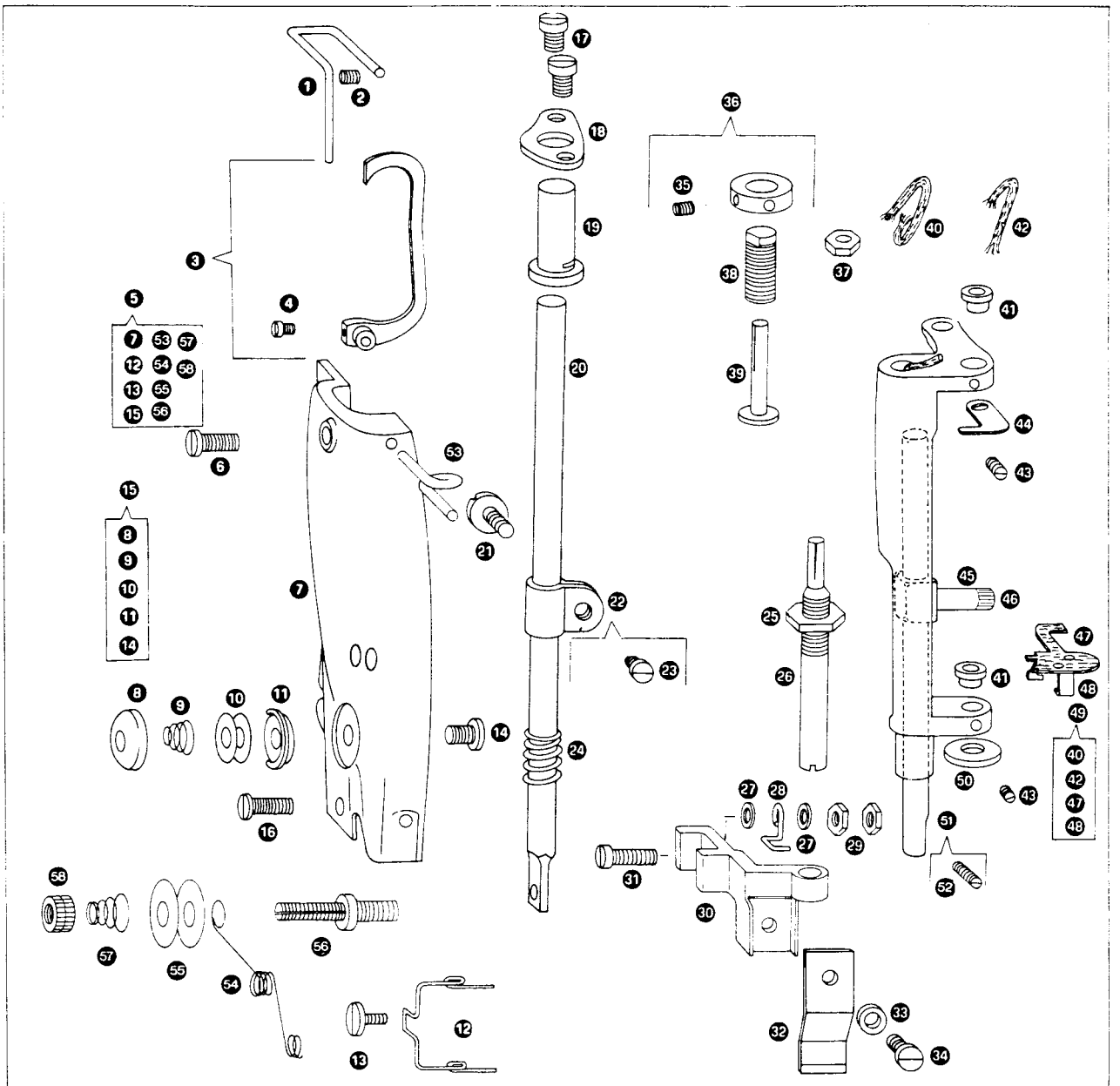
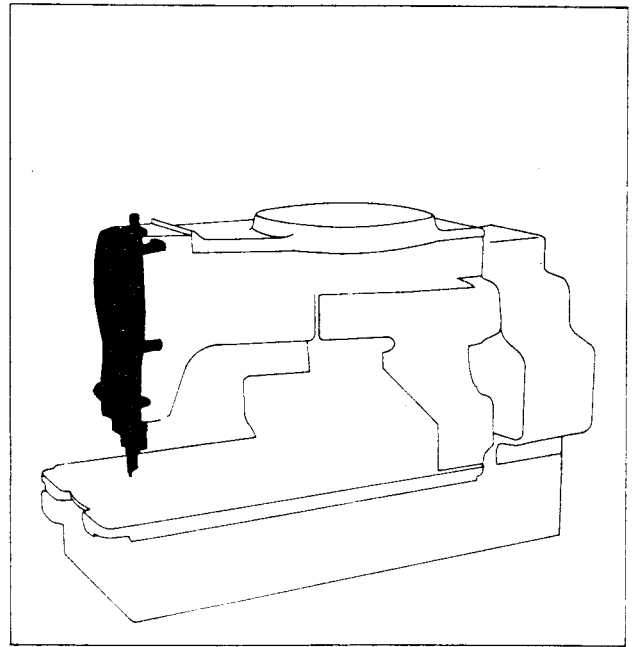


Fittings for 271K12 Machine

Ref. No.	Part No. For Ordering	Description	Amt. Req.
Thread Unwinder (for two spools)			
	228776	Thread Unwinder (for two spools) complete. Nos. 228766, 228767, 228768, 228770, 228774, two each 150203, 228764, 228769 and three each 150203, 228764, 228769 and three wood screws 7/8 inch. No. 12 R.H.B.	
Miscellaneous Parts used in conjunction with Thread Unwinder			
	27739	Thread Unwinder Thread Cone (wood) (only supplied when specified on order and at an extra charge)	
Motor Mount and Belt Tightener complete			
	151223	Motor Mount and Belt Tightener complete. Nos. 150783, 151066, 151219, 151220, 151221, 151222, two each 9281, 151068, four each 50807(813), eight each 1778(813), 9842 and 126150, for series K-38 (cont. running) Motor, for "V" Belt	
Driving Equipment			
	228909	Clamp Lifting Chain, 36 inch long, with 39575 and 39576	
	250408	Machine Rest (high) with 232992 and two wood screws 1 inch No. 12	
	228757	Treadle complete, Nos. 271(813), 142372 to 14375, 17881, 50581(813), two each 23250, 51074(813) and 67425 (2)	
	228349	Starting Chain complete, Nos. 228333, 228347, 228348, two each 39575 and 39576	
Automatic Mechanical Clamp Lifting Device (Order from Elizabeth)			
	22843	Automatic Mechanical Clamp Lifting Device, Nos. 1670(805), 151490, 151491-002, 151492, 151493, 191496, 151517, 151523, 151524, 151526, 151530, 151547, 151548, 151549, 151571 and two 151525 for 22844	
		Note:	
		No. 22843 has the same component parts as No. 151562 but the Clamp Lift Shaft No. 151549 is specially positioned for Class 271K Machines	
	22844	Automatic Mechanical Clamp Lifting Device with Cover (Power Unit) complete, Nos. 22843, 151574, two 680(819), four each 491(819), 151569, wood screws 1-3/4 inch No. 14 R.H. and eight each 151572 and 151573	
		Note:	
		No. 22844 has the same component parts as No. 151563 but the Clamp Lift Shaft No. 151549 component of assembly No. 22843 is specifically positioned for Class 271K Machines	

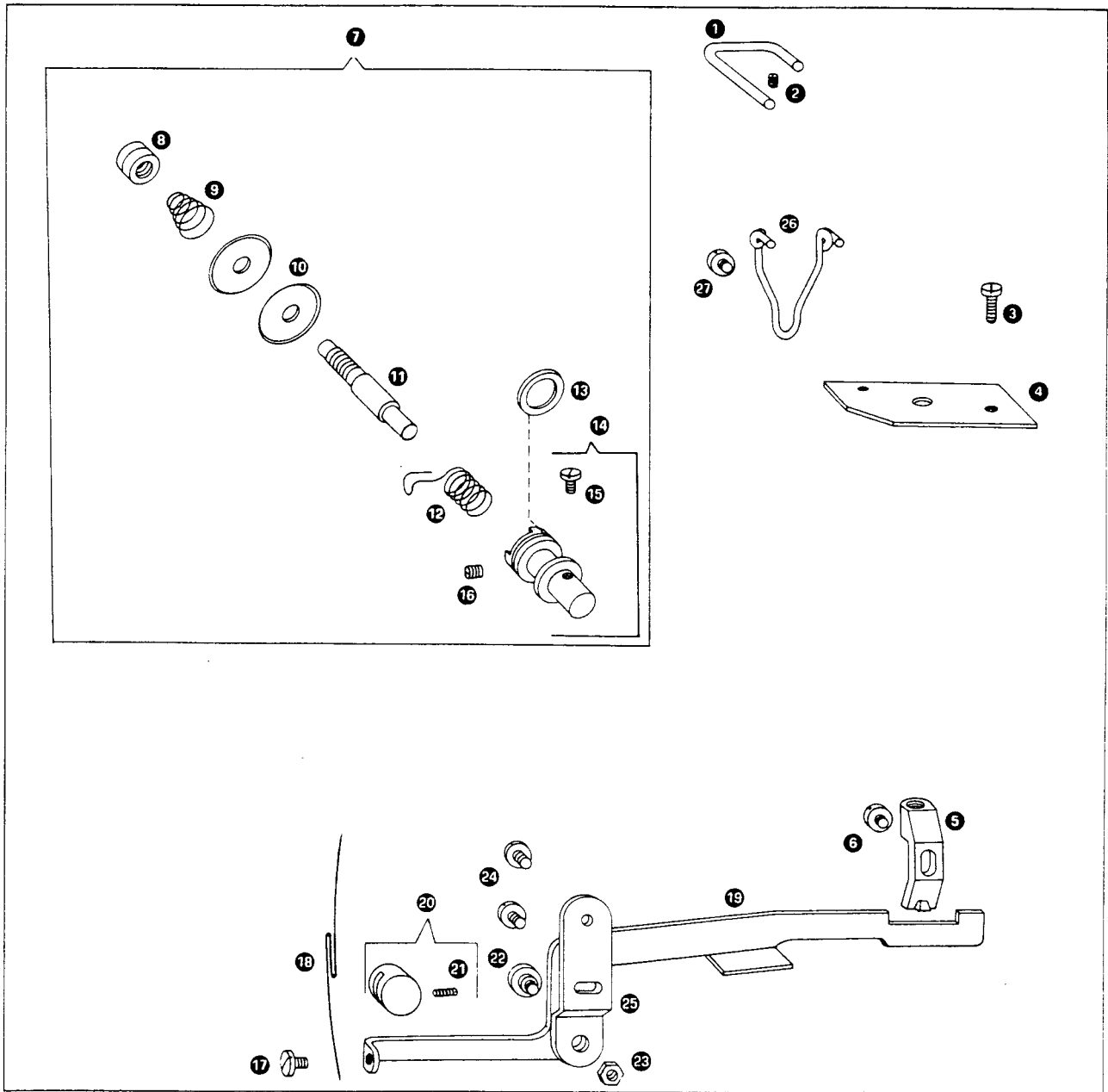
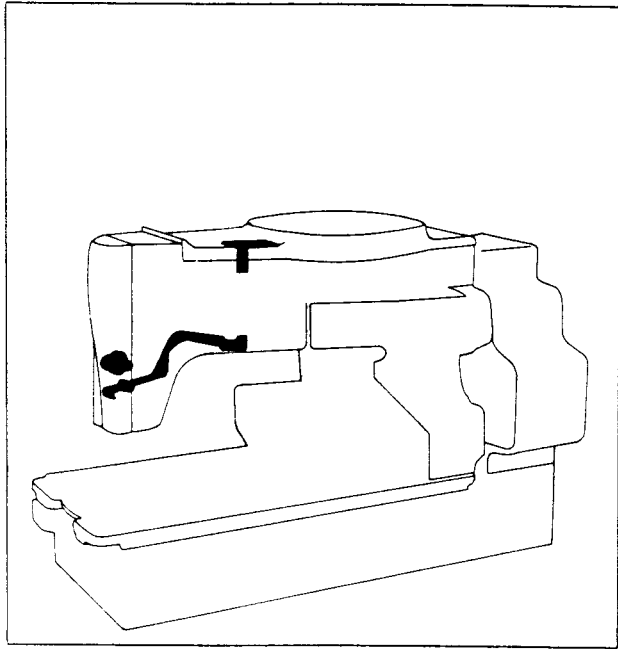
Parts List for 271K14 Machine

Ref. No.	Part No. For Ordering	Description	Amt. Req.
1	271693	Thread Guide (side of arm) (lower)	
2	1019(830)	Thread Guide (side of arm) (lower) Set Screw	
3	271916	Tension (side of arm) Releaser with 200(830)	
4	200(830)	Tension (side of arm) Releaser Set Screw	
5	22981	Face Plate assembly	
6	140050(809)	Face Plate Screw (upper)	
7	22980	Face Plate	
8	9544(839)	Thread Check Cap	
9	9545-001	Thread Check Spring	
10	9543	Thread Check Disc	2
11	271666	Thread Check Bracket	
12	39770	Cord Leading Eye (double)	
13	236(804)	Cord Leading Eye Screw	
14	208(830)	Thread Check Screw	
15	271667	Thread Check Complete	
16	330(804)	Face Plate Screw (lower)	
17	168(804)	Knife Bar Stop Retainer Plate Screw	2
18	249545	Knife Bar Stop Retainer Plate	
19	249544	Knife Bar Stop	
20	23460	Knife Bar	
21	1239(804)	Knife Bar Connecting Link Cap Screw	
22	271915	Knife Bar Connecting Stud with 1319(806)	
23	1319(806)	Knife Bar Connecting Stud Clamping Screw	
24	271494	Knife Bar Spring	
25	1608(803)	Knife Holder Guide Stud Nut	
26	98968(806)	Knife Holder Guide Stud	
27	49109	Knife Holder Screw Washer	2
28	98952	Needle Thread Guide (lower)	
29	1547(819)	Knife Holder Screw Nut	2
30	106214	Knife Holder	
31	109060(830)	Knife Holder Screw	
32	23119	Knife for 1/2 inch Buttonhole	
33	39541	Knife Screw Washer	
34	1094(806)	Knife Screw	
35	141087(869)	Needle Bar Frame Stud Collar Set Screw	2
36	271445	Needle Bar Frame Stud Collar with two 141087(850)	
37	1517(804)	Needle Bar Frame Stud Sleeve Nut	
38	271444	Needle Bar Frame Stud Sleeve	
39	271442	Needle Bar Frame Stud	
40	270200	Needle Bar Oiling Wick	
41	108216	Needle Bar Frame Stud Bushing	2
42	241189	Thread Take-up Lever Oil Packing Wick	
43	350562(869)	Needle Bar Frame Stud Bushing Set Screw	2
44	271607	Needle Bar Frame Oiling Felt (upper)	
45	98965	Needle Bar Connecting Stud with 114003	
46	114003(833)	Needle Bar Connecting Stud Set Screw	
47	271610	Needle Bar Oiling Felt	
48	271611	Needle Bar Oiling Felt Retainer	
49	98967	Needle Bar Frame with 241189, 270200, 271610 and 271611	
50	271606	Needle Bar Frame Oiling Felt (lower)	
51	98961	Needle Bar with 904(830)	
52	904(830)	Needle Set Screw	
53	18859	Cord Guide	
54	39790	Cord Take-up Spring	
55	2455	Cord Tension Disc	2
56	418(809)	Cord Tension Screw Stud	
57	39789	Cord Tension Spring	
58	1562(819)	Cord Tension Thumb Nut	



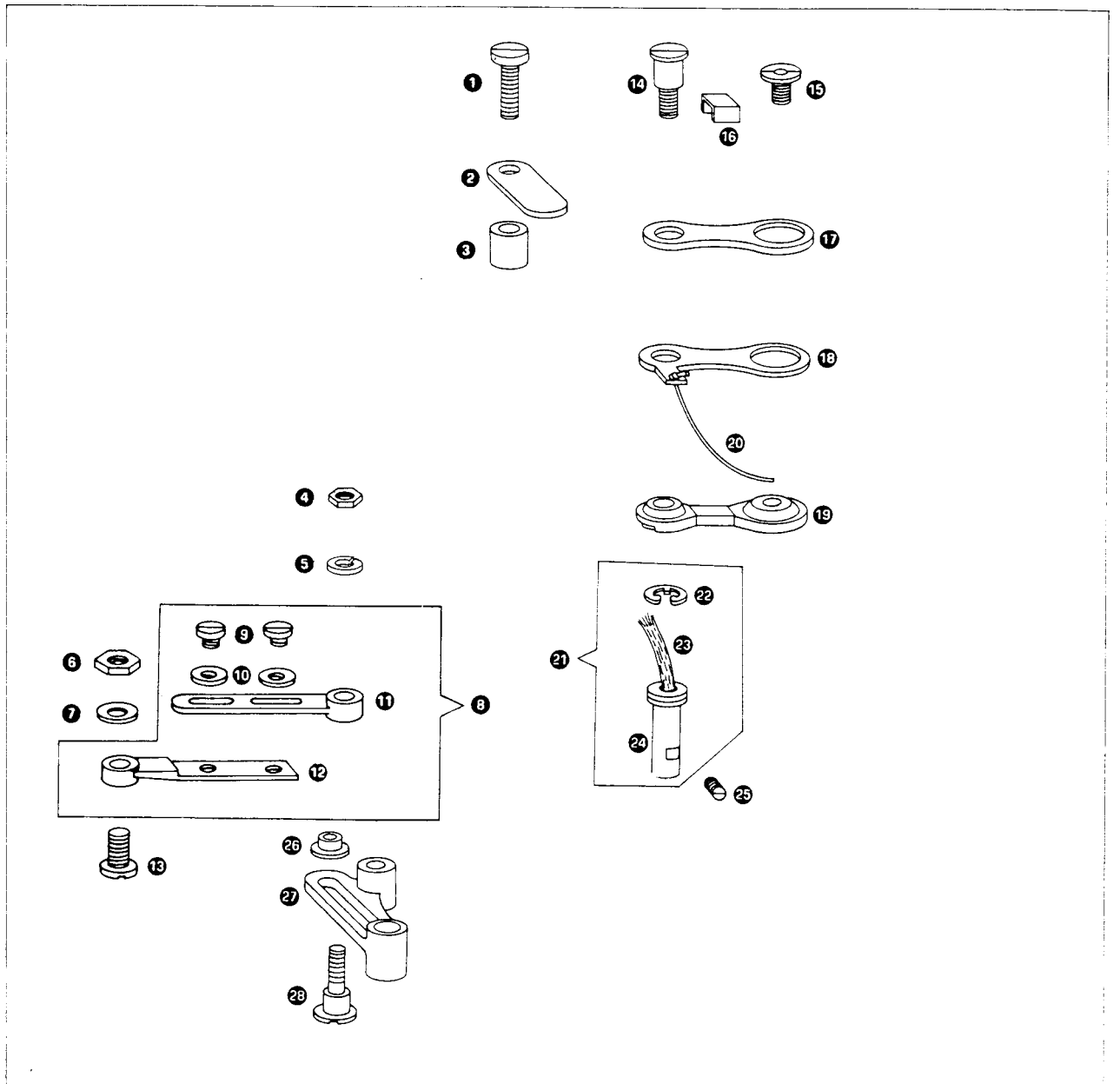
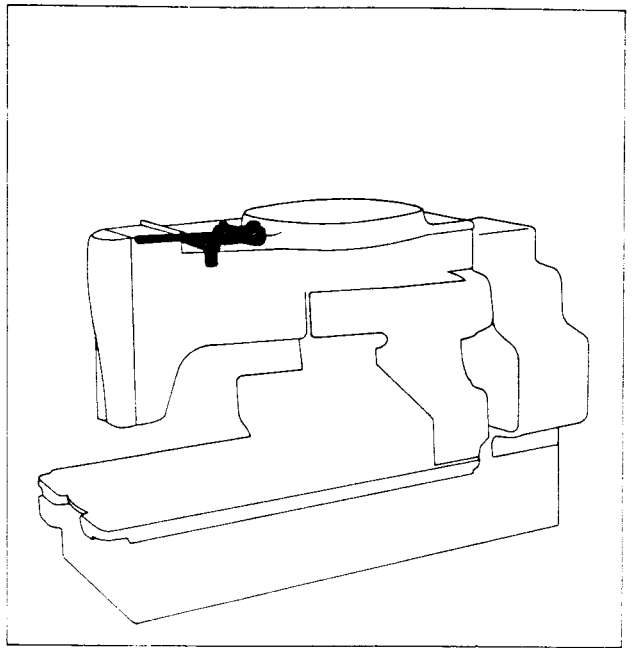
Parts List for 271K14 Machines

Ref. No.	Part No. For Ordering	Description	Amt. Req.
1	271781	Thread Guide (side of arm) (upper)	
2	460(830)	Thread Guide (side of arm) (upper) Set Screw	
3	190(804)	Arm Top Cover Plate Screw	2
4	271773	Arm Top Cover Plate	
5	271929	Barring Point	
6	191(806)	Barring Point Screw	
7	271430	Tension (side of arm) complete	
8	1560(806)	Tension (side of arm) Regulating Thumb Nut	
9	2103	Tension (side of arm) Spring	
10	2102	Tension (side of arm) Disc	2
11	1043(806)	Tension (side of arm) Screw Stud	
12	39652	Thread Take-up Spring	
13	271701	Thread Take-up Spring Regulator Oil Seal Ring (rubber)	
14	271700	Thread Take-up Spring Regulator with 237(804)	
15	237(804)	Tension (side of arm) Screw Stud Set Screw	
16	446(833)	Thread Take-up Spring Regulator Set Screw	
17	1443(806)	Automatic Knife Disengaging Lever Thread Guide Screw	
18	271410	Automatic Knife Disengaging Lever Thread Guide	
19	271408	Automatic Knife Disengaging Lever	
20	271428	Automatic Knife Disengaging Lever Balance Weight with 140490(833)	
21	140490(833)	Automatic Knife Disengaging Lever Balance Weight Set Screw	
22	974(806)	Automatic Knife Disengaging Lever Hinge Screw	
23	1698(803)	Automatic Knife Disengaging Lever Hinge Screw Nut	
24	161(804)	Automatic Knife Disengaging Lever Bracket Screw	2
25	271782	Automatic Knife Disengaging Lever Bracket	
26	271744	Thread Eyelet (double)	
27	212(806)	Thread Eyelet Screw	



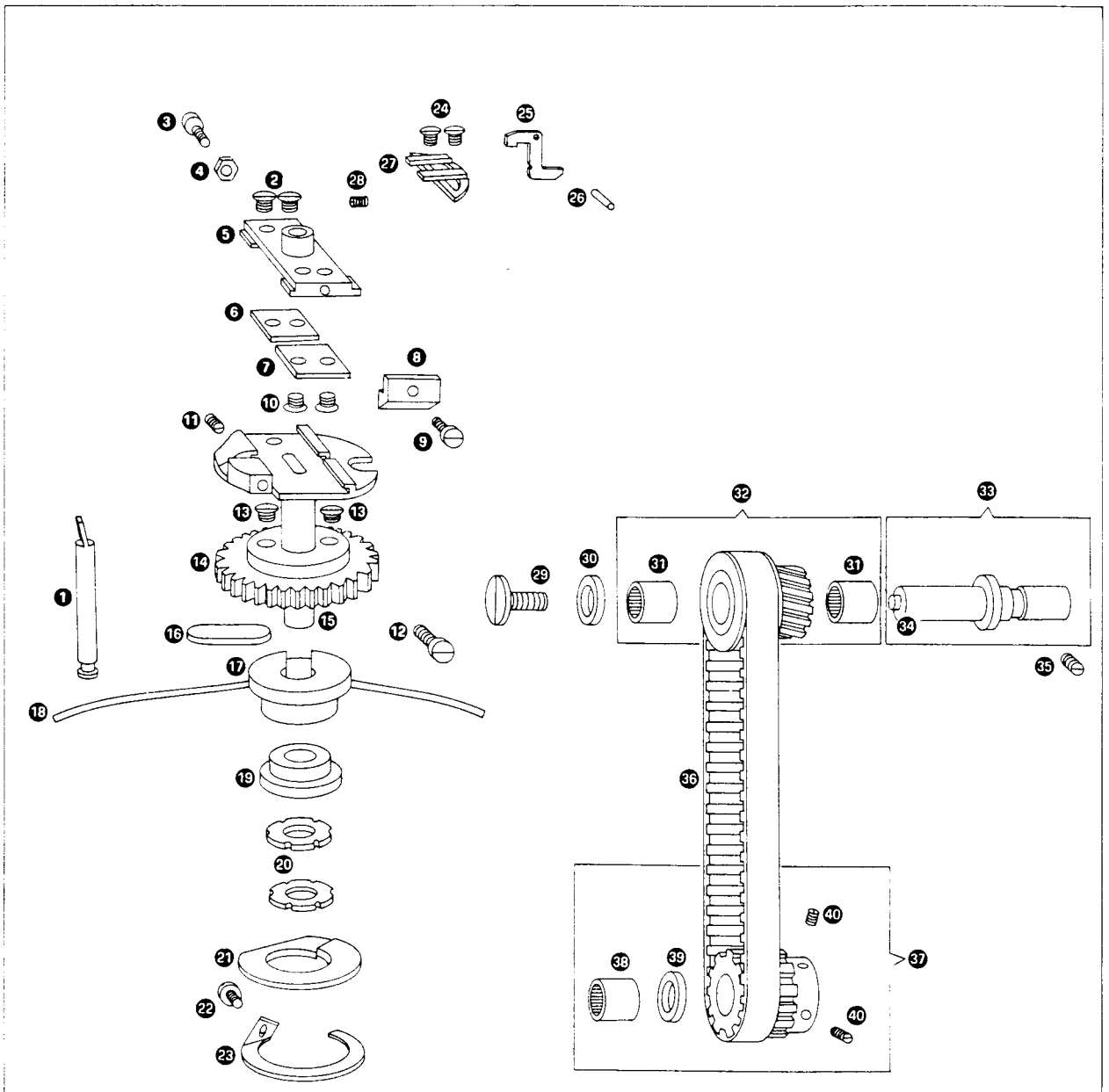
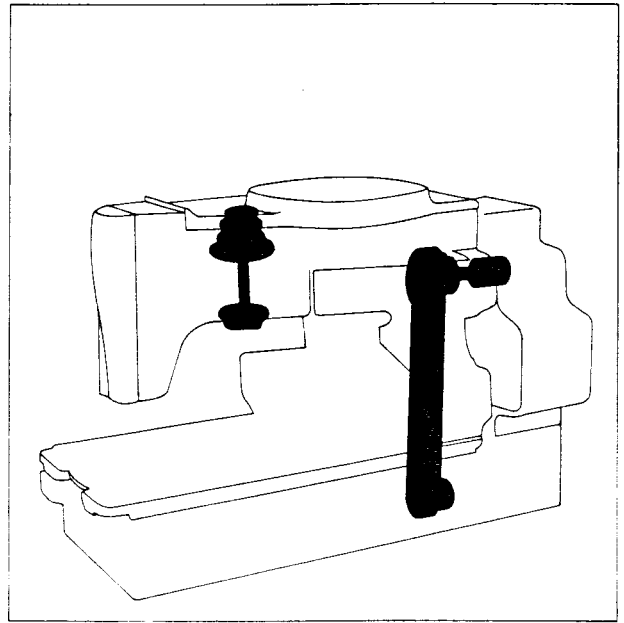
Parts List for 271K14 Machine

Ref. No.	Part No. For Ordering	Description	Amt. Req.
1	50172(803)	Barring Tripping Point Lock Screw	
2	271889	Barring Tripping Point	
3	271890	Barring Tripping Point Spacer	
4	1698(803)	Needle Bar Frame Regulator Hub Adjusting Screw Nut	
5	39504	Needle Bar Frame Regulator Hub Adjusting Screw Washer	
6	1547(819)	Needle Bar Frame Pitman Hinge Screw Nut	
7	271831	Needle Bar Frame Pitman (hinge screw end) Washer	
8	271966	Needle Bar Frame Pitman (adjustable) complete	
9	190(806)	Needle Bar Frame Pitman Adjusting Screw	4
10	7071	Needle Bar Frame Pitman Adjusting Screw Washer	2
11	271917	Needle Bar Frame Pitman (regulator end)	
12	271918	Needle Bar Frame Pitman (hinge screw end)	
13	141679(803)	Needle Bar Frame Pitman Hinge Screw	
14	141549(806)	Needle Bar Frame Connection Hinge Screw	
15	141548(806)	Needle Bar Frame Connection Cap Screw	
16	271771	Needle Bar Frame Connection Oiling Felt Retainer Clamp	
17	271765	Needle Bar Frame Connection Oiling Felt Retainer	
18	271764	Needle Bar Frame Connection Oiling Felt	
19	271604	Needle Bar Frame Connection	
20	271976	Needle Bar Frame Connection Oiling Wick	
21	271608	Needle Bar Frame Regulator Hinge Stud with 262135 and 271609	
22	262135	Needle Bar Frame Regulator Hinge Stud Oil Wick Retainer	
23	271609	Needle Bar Frame Regulator Hinge Stud Oil Wick	
24	262133	Needle Bar Frame Regulator Hinge Stud	
25	446(833)	Needle Bar Frame Regulator Hinge Stud Set Screw	
26	7070	Needle Bar Frame Regulator Hub Adjusting Screw Sleeve	
27	271770	Needle Bar Frame Regulator	
28	1038(803)	Needle Bar Frame Regulator Hub Adjusting Screw	



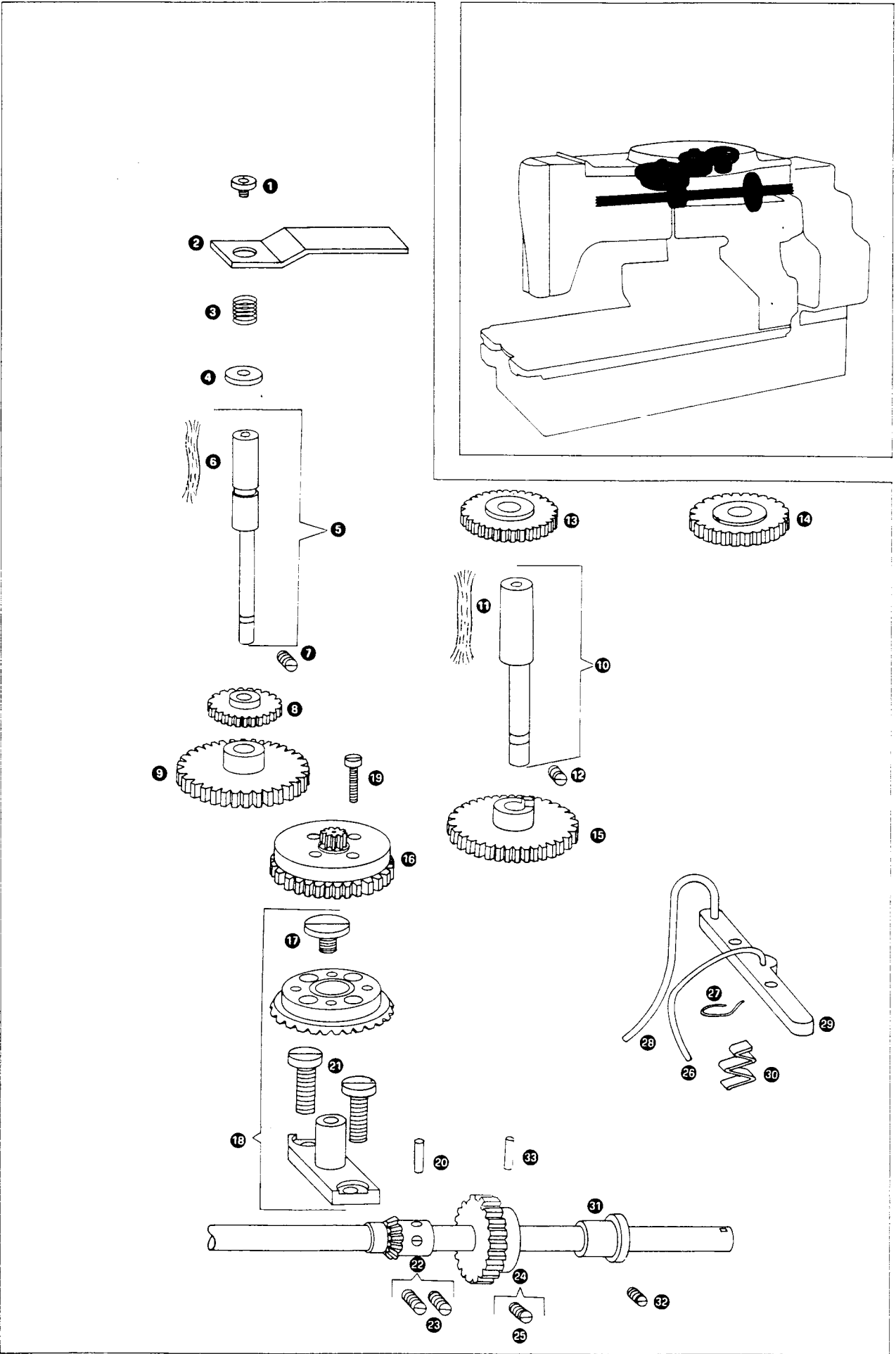
Parts List for 271K14 Machine

Ref. No.	Part No. For Ordering	Description	Amt. Req.
1	271519	Barring Slide Operating Rod	
2	223(804)	Barring Slide Operating Plate (adjustable) Screw	2
3	141564(803)	Barring Slide Operating Plate Adjusting Screw	
4	1607(805)	Barring Slide Operating Plate Adjusting Screw Nut	
5	271796	Barring Slide	
6	271943	Barring Slide Operating Plate (adjustable)	
7	271883	Barring Slide Operating Plate (stationary)	
8	271931	Barring Slide Stop	
9	704(806)	Barring Slide Stop Attaching Screw	
10	228(804)	Barring Slide Operating Plate (stationary) Screw	2
11	452(833)	Barring Slide Stop Screw (adjustable) Set Screw	
12	898(803)	Barring Slide Stop Screw (adjustable)	
13	51000(805)	Needle Bar Frame Driving Gear Screw	2
14	271605	Needle Bar Frame Driving Gear	
15	271517	Barring Shaft	
16	271518	Barring Shaft Oiling Felt (in Arm)	
17	171774	Barring Shaft Bushing (upper)	
18	271698	Barring Shaft Oiling Wick	
19	271631	Barring Shaft Bushing (lower)	
20	53561(803)	Barring Shaft Adjusting Lock Nut	2
21	271755	Barring Shaft Oiling Felt (lower)	
22	216(804)	Barring Shaft Oiling Felt (lower) Retainer Screw	
23	271756	Barring Shaft Oiling Felt (lower) Retainer	
24	196(805)	Barring Trip Lever Plate Clamping Screw	2
25	271886	Barring Trip Lever	
26	271887	Barring Trip Lever Hinge Pin	
27	271888	Barring Trip Lever Plate	
28	210962	Barring Trip Lever Spring	
29	964(804)	Hook Driving Connection Belt Pulley Cap Screw	
30	271754	Hook Driving Connection Belt Pulley Thrust Washer	
31	267093	Hook Driving Connection Belt Pulley Needle Bearing	2
32	271580	Hook Driving Connection Belt Pulley with two 267093	
33	271979	Hook Driving Connection Belt Pulley Stud (eccentric) with 271583	
34	271583	Hook Driving Connection Belt Pulley Stud Oil Packing (wick)	
35	430(830)	Hook Driving Connection Belt Pulley Stud Screw	
36	271578	Hook Driving Connection Belt (reinforced Neoprene)	
37	271794	Hook Driving Shaft Connection Belt Pulley with 268425, 271434 and two 140409(830)	
38	268425	Hook Driving Shaft Connection Belt Pulley Needle Bearing	
39	271434	Hook Driving Shaft Thrust Washer	
40	140409(830)	Hook Driving Shaft Connection Belt Pulley Screw	2



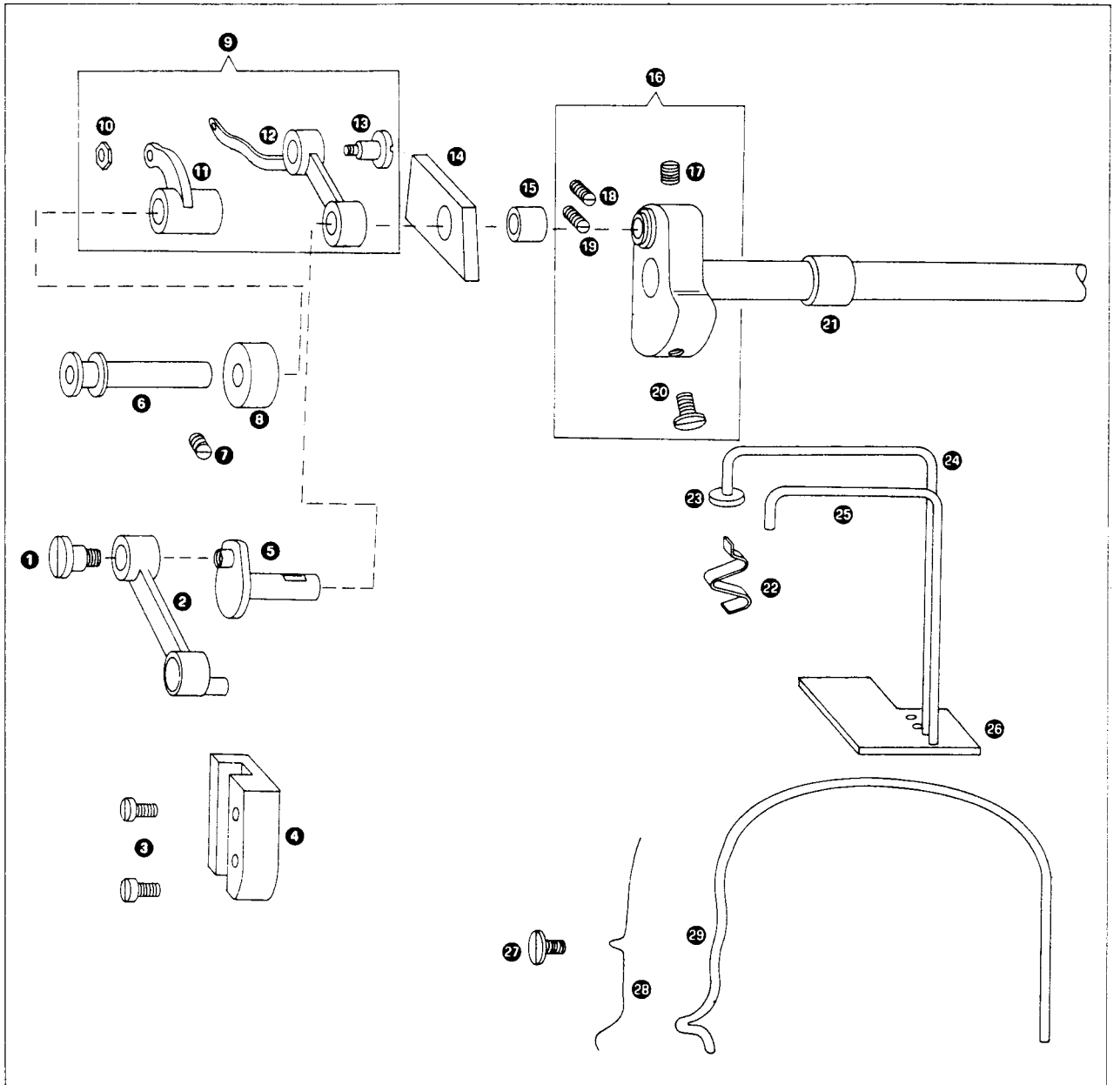
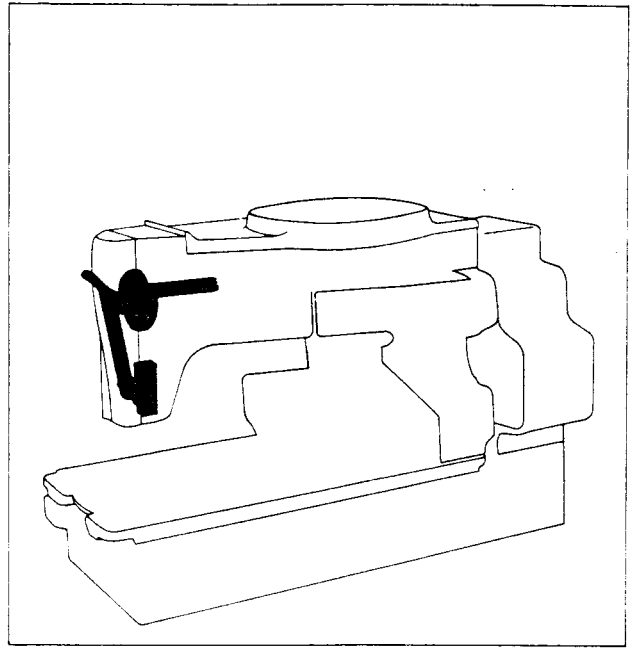
Parts List for 271K14 Machine

Ref. No.	Part No. For Ordering	Description	Amt. Req.
1	141504(819)	Feed Ratchet Gear Compression Spring Cap Screw	
2	271426	Stitch Regulating Gear Retainer	
3	271560	Feed Ratchet Gear Compression Spring	
4	271731	Feed Ratchet Gear Compression Spring Washer	
5	271409	Feed Ratchet Gear (eccentric) Stud with 271562	
6	271562	Feed Ratchet Gear Stud Oil Packing (wick)	
7	140930(850)	Feed Ratchet Gear Stud Set Screw	
8	271559	Feed Ratchet Gear (upper) 32 teeth	
9	271558	Feed Ratchet Gear (lower) 70 teeth	
10	271978	Feed Driving Gear Stud (eccentric) with 263572	
11	263572	Feed Driving Gear Stud Oil Packing (wick)	
12	140930(850)	Feed Driving Gear Stud Set Screw	
13	271640	Stitch Regulating Gear, 40 teeth	
14	271643	Stitch Regulating Gear, 48 teeth	
15	271550	Feed Driving Gear, 64 teeth	
16	271881	Feed Driving Pinion	
17	141546(803)	Feed Driving Bevel Gear Cap Screw	
18	271473	Feed Driving Bevel Gear Bracket with 141546(803) and 271549	
19	971(805)	Feed Driving Pinion Screw	4
20	40025	Feed Driving Bevel Pinion Position Pin	
21	1396(805)	Feed Driving Bevel Gear Bracket Screw	2
22	271750	Feed Driving Bevel Pinion with two 453(830)	
23	453(830)	Feed Driving Bevel Pinion Set Screw	2
24	271584	Hook Driving Connection Belt Pulley Gear with 141600(830)	
25	141600(830)	Hook Driving Connection Belt Pulley Gear Lock Screw	
26	271423	Hook Driving Connection Belt Pulley Oiling Wick	
27	271652	Stop Cam Gear Stud Oiling Wick Clamp	
28	271651	Stop Cam Gear Stud Oiling Wick	
29	271507	Arm Shaft Flanged Bushing (back) Oiling Felt	
30	271508	Arm Shaft Flanged Bushing (back) Oil Packing (wick)	
31	271733	Arm Shaft Flanged Bushing (back)	
32	448(833)	Arm Shaft Flanged Bushing (back) Set Screw	
33	40025	Hook Driving Connection Belt Pulley Gear Position Pin	



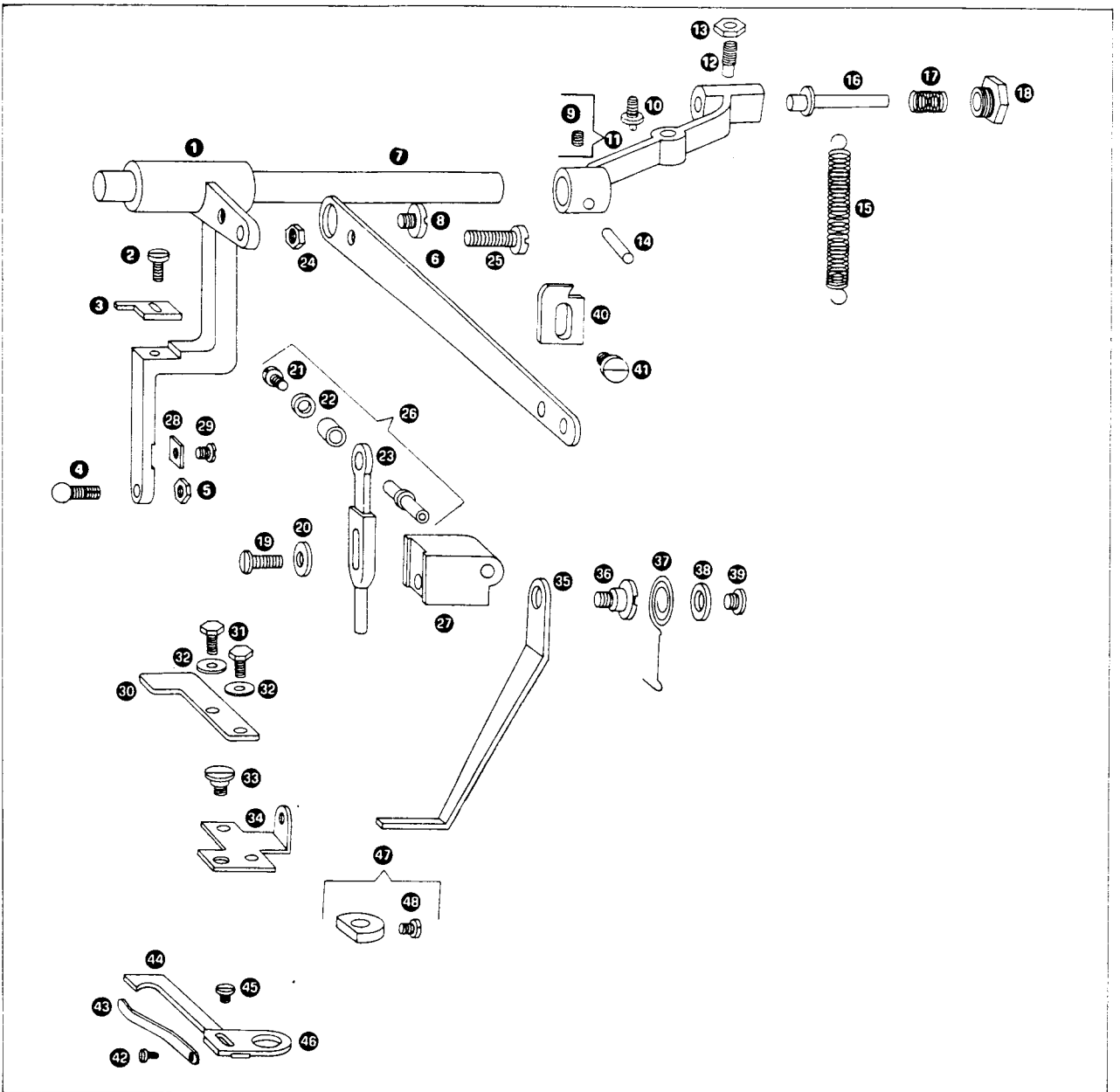
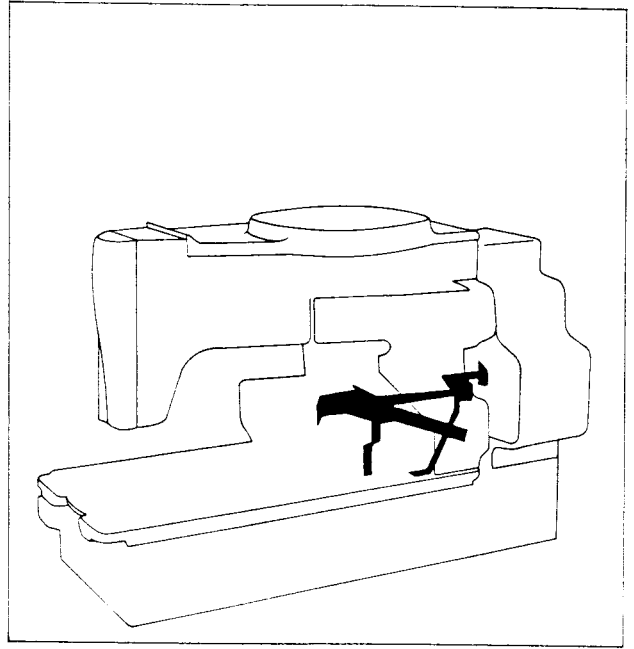
Parts List for 271K14 Machine

Ref. No.	Part No. For Ordering	Description	Amt. Req.
1	1021(805)	Needle Bar Connecting Link Cap Screw	
2	98962	Needle Bar Connecting Link	
3	114002	Needle Bar Connecting Link Guide Block Screw	2
4	98964	Needle Bar Connecting Link Guide Block	
5	271694	Thread Take-up Crank	
6	262138	Thread Take-up Lever Link Hinge Pin	
7	435(833)	Thread Take-up Lever Link Hinge Pin Set Screw	
8	271790	Thread Take-up Lever Link Hinge Pin Oiling Felt	
9	271699	Thread Take-up Lever complete	
10	1521(804)	Thread Take-up Lever Adjusting Screw Nut	
11	271793	Thread Take-up Lever Link	
12	271696	Thread Take-up Lever	
13	141562(803)	Thread Take-up Lever Adjusting Screw	
14	271975	Thread Take-up Lever Link Oiling Felt	
15	271599	Thread Take-up Lever Link Hinge Pin Oiling Felt Washer	
16	271760	Needle Bar Crank with 858(830), 1065(830) and two 141275(869)	
17	141275(809)	Thread Take-up Crank Position Screw	
18	141275(869)	Thread Take-up Crank Set Screw	
19	858(830)	Needle Bar Crank Set Screw	
20	1065(830)	Needle Bar Crank Position Screw	
21	271506	Arm Shaft	
22	271508	Arm Shaft Bushing (front) Oil Packing (wick)	
23	271509	Arm Shaft Bushing (front) Oiling Felt	
24	235706	Arm Shaft Bushing (front) Oil Wick	
25	271651	Thread Take-up Lever Link Hinge Pin Oil Wick	
26	271505	Arm Reservoir Oiling Felt	
27	190(804)	Arm Oil Wick Retainer Screw	
28	271503	Arm Oil Wick Retainer	
29	271502	Arm Oil Wick	



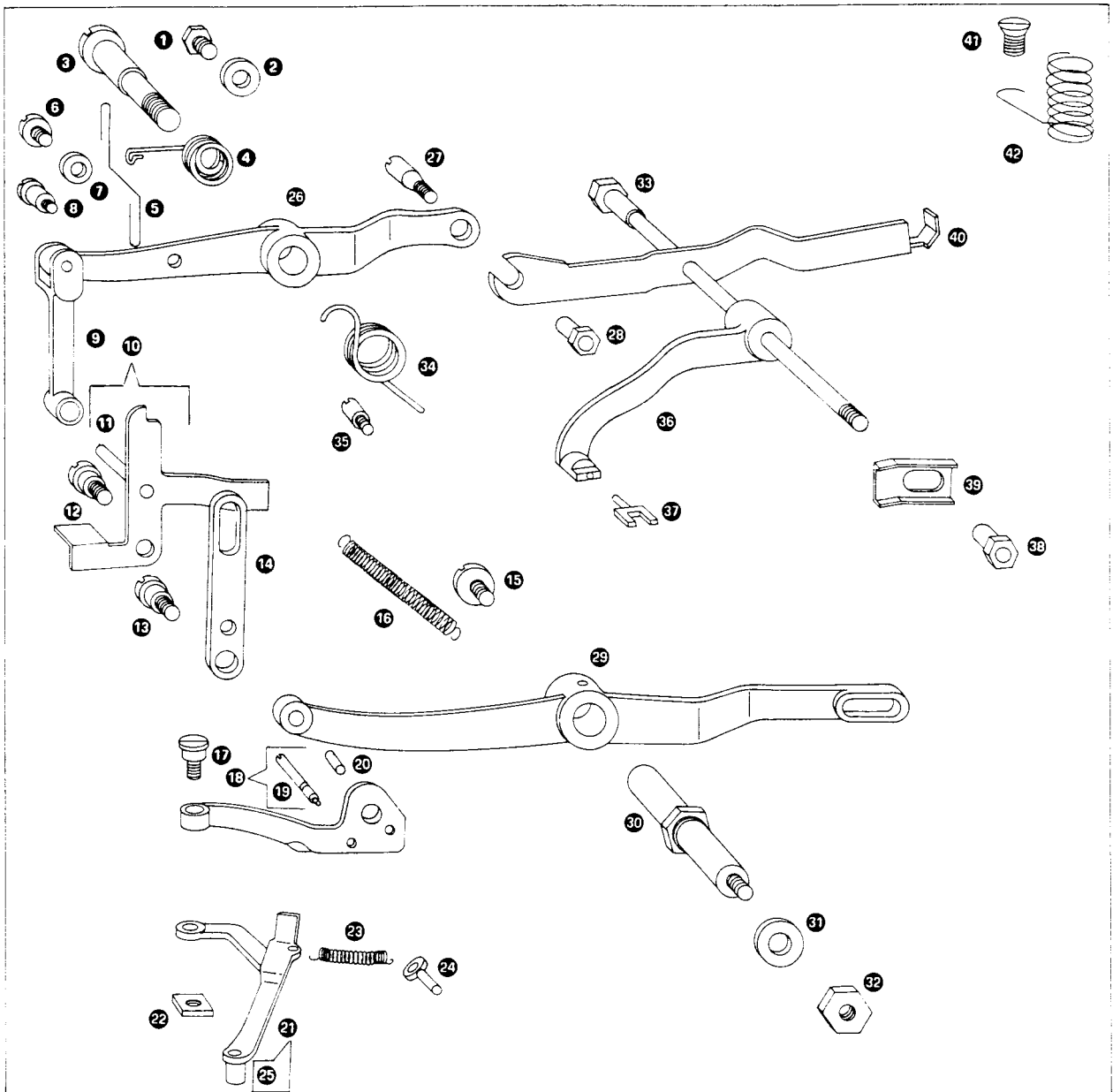
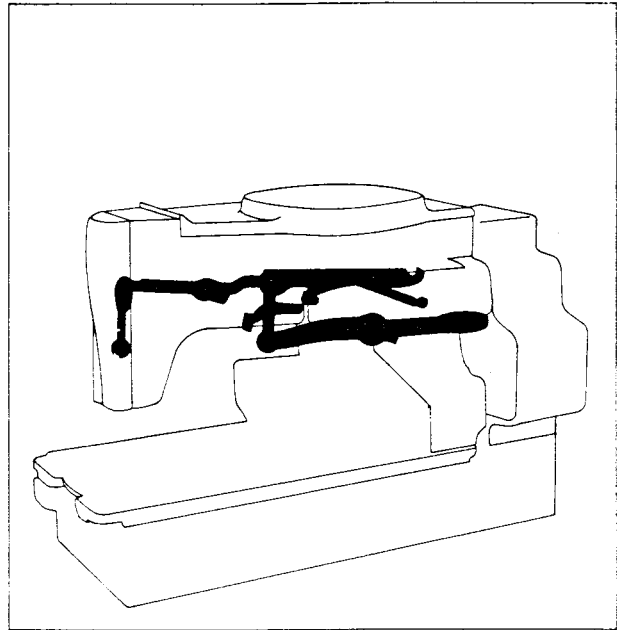
Parts List for 271K14 Machine

Ref. No.	Part No. For Ordering	Description	Amt. Req.
1	271670	Thread (lower) Cutting Lever	
2	201(803)	Thread and Cord (upper) Cutting Blade Connecting Rod Latch Tripping Plate Screw	
3	271681	Thread and Cord (upper) Cutting Blade Connecting Rod Latch Tripping Plate	
4	1351(803)	Thread (lower) Cutting Lever Ball Screw	
5	1520(809)	Thread (lower) Cutting Lever Ball Screw Nut	
6	271671	Thread (lower) Cutting Lever Extension	
7	271657	Tension (side of arm) Releaser Lever Shaft	
8	350365(803)	Thread (lower) Cutting Lever Extension Screw	
9	140321(830)	Tension (side of arm) Releaser Lever Set Screw	
10	1241(804)	Tension (side of arm) Releaser Lever Spring Screw Stud	
11	271656	Tension (side of arm) Releaser Lever with 140321(830)	
12	717(833)	Tension (side of arm) Releaser Lever Stop Screw	
13	1520(809)	Tension (side of arm) Releaser Lever Stop Screw Nut	
14	271655	Tension (side of arm) Releaser Lever Pin (spiro)	
15	271949	Tension (side of arm) Releaser Lever Spring	
16	40052	Tension (side of arm) Releaser Lever Lock Pin	
17	40053	Tension (side of arm) Releaser Lever Lock Pin Spring	
18	1352(803)	Tension (side of arm) Releaser Lever Lock Pin Screw Bushing	
19	157(806)	Clamp Lifting Arm Connection Roller and Screw Stud Bracket Screw	
20	39541	Clamp Lifting Arm Connection Roller and Screw Stud Bracket Screw Washer	
21	229(804)	Clamp Lifting Arm Connection Roller Cap Screw	
22	12424	Clamp Lifting Arm Connection Roller Cap Screw Washer	
23	271540	Clamp Lifting Arm Connection	
24	1620(805)	Clamp Lifting Arm Connection Hinge Screw Nut	
25	141556(830)	Clamp Lifting Arm Connection Hinge Screw	
26	1901	Clamp Lifting Arm Connection Roller and Screw Stud with 229(804) and 12424	
27	271541	Clamp Lifting Arm Connection Roller and Screw Stud Bracket	
28	271628	Sewing Safety Lock Engaging Plate	
29	114123(804)	Sewing Safety Lock Engaging Plate Screw	
30	271622	Safety Tripping Lever Lock	
31	350114(803)	Safety Tripping Lever Lock Screw	2
32	39541	Safety Tripping Lever Lock Screw Washer	2
33	140566(830)	Safety Tripping Lever Lock Plate Hinge Screw	
34	271623	Safety Tripping Lever Lock Plate	
35	271621	Safety Tripping Lever	
36	350109(803)	Safety Tripping Lever Hinge Screw	
37	251170	Safety Tripping Lever Spring	
38	7071	Safety Tripping Lever Spring Screw Washer	
39	217(804)	Safety Tripping Lever Spring Screw	
40	271624	Safety Tripping Lever Release Plate	
41	898(804)	Safety Tripping Lever Release Plate Screw	
42	201381(804)	Sewing Safety Lock Hinge Bracket Spring Screw	
43	2256	Sewing Safety Lock Hinge Bracket Spring	
44	271625	Sewing Safety Lock	
45	792(804)	Sewing Safety Lock Screw	
46	271629	Sewing Safety Lock Hinge Bracket	
47	271630	Sewing Safety Lock Hinge Bracket Collar with 202(806)	
48	202(806)	Sewing Safety Lock Hinge Bracket Collar Screw	



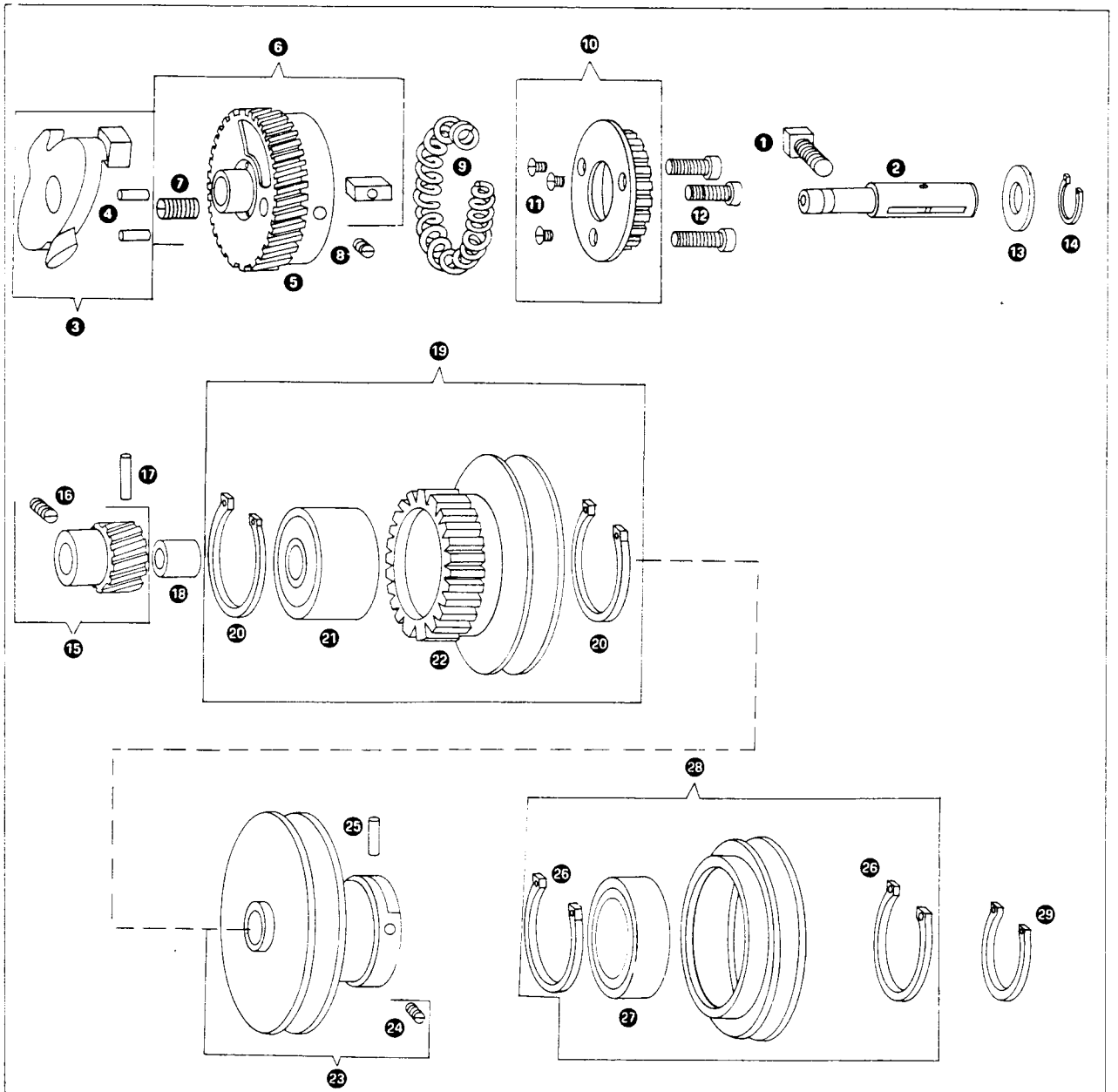
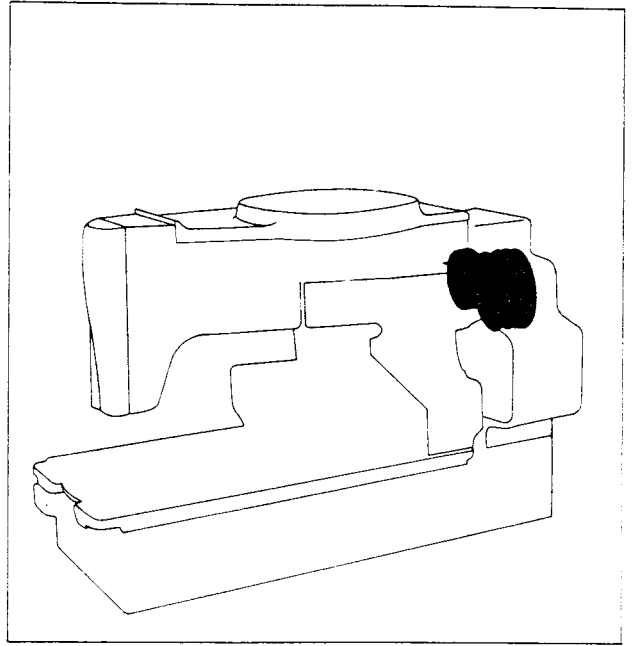
Parts List for 271K14 Machines

Ref. No.	Part No. For Ordering	Description	Amt. Req.
1	141316(830)	Knife Bar Driving Lever Spring Screw	
2	271967	Automatic Knife Disengaging Lever Stop Washer	
3	141649(803)	Knife Bar Driving Lever Hinge Screw	
4	23681	Knife Bar Driving Lever Spring	
5	271783	Thread (upper) Pull-off	
6	704(809)	Thread (upper) Pull-off Screw	
7	39541	Thread (upper) Pull-off Screw Washer	
8	1240(806)	Knife Bar Connecting Link Hinge Screw	
9	271914	Knife Bar Connecting Link	
10	271438	Knife Bar Disengaging Lever with 262058	
11	262058	Knife Bar Disengaging Lever Screw Stud	
12	90(806)	Knife Bar Disengaging Lever Hinge Screw	
13	54(806)	Knife Bar Driving Lever (intermediate) Connecting Link Hinge Screw	
14	262171	Knife Bar Driving Lever (intermediate) Connecting Link	
15	144(804)	Knife Bar Driving Lever (intermediate) Cap Screw	
16	249660	Knife Bar Disengaging Lever Spring	
17	50416(806)	Knife Bar Disengaging Lever Catch Hinge Screw	
18	271935	Knife Bar Disengaging Lever Catch Bracket with 1242(804) and 238089	
19	1242(804)	Knife Bar Disengaging Lever Spring Screw	
20	238089	Knife Bar Disengaging Lever Catch Bracket Position Pin	
21	271934	Knife Bar Disengaging Lever Catch with 1963	
22	1547(819)	Knife Bar Disengaging Lever Catch Hinge Screw Nut	
23	249659	Knife Bar Disengaging Lever Catch Spring	
24	1241(804)	Knife Bar Disengaging Lever Catch Spring Screw Stud	
25	1963	Knife Bar Disengaging Lever Catch Roller and Stud	
26	271595	Knife Bar Driving Lever	
27	271801	Knife Bar Driving Lever Screw Stud	
28	201732(803)	Knife Bar Driving Lever Screw Stud Nut	
29	271936	Knife Bar Driving Lever (intermediate)	
30	141586(803)	Knife Bar Driving Lever (intermediate) Hinge Screw Stud	
31	205634	Knife Bar Driving Lever (intermediate) Hinge Screw Stud Washer	
32	53570(819)	Knife Bar Driving Lever (intermediate) Hinge Screw Stud Nut	
33	350712(803)	Barring Lever Hinge Screw	
34	249607	Barring Lever Spring	
35	1330(806)	Barring Lever Spring Screw Stud	
36	271928	Barring Lever	
37	271930	Barring Slide Operating Rod Stud	
38	201732(803)	Barring Lever Hinge Screw Nut	
39	271429	Feed Hand Ratchet Stop	
40	271952	Starting Lever Safety	
41	190(804)	Arm Oil Wick Support Spring Screw	
42	271504	Arm Oil Wick Support Spring	



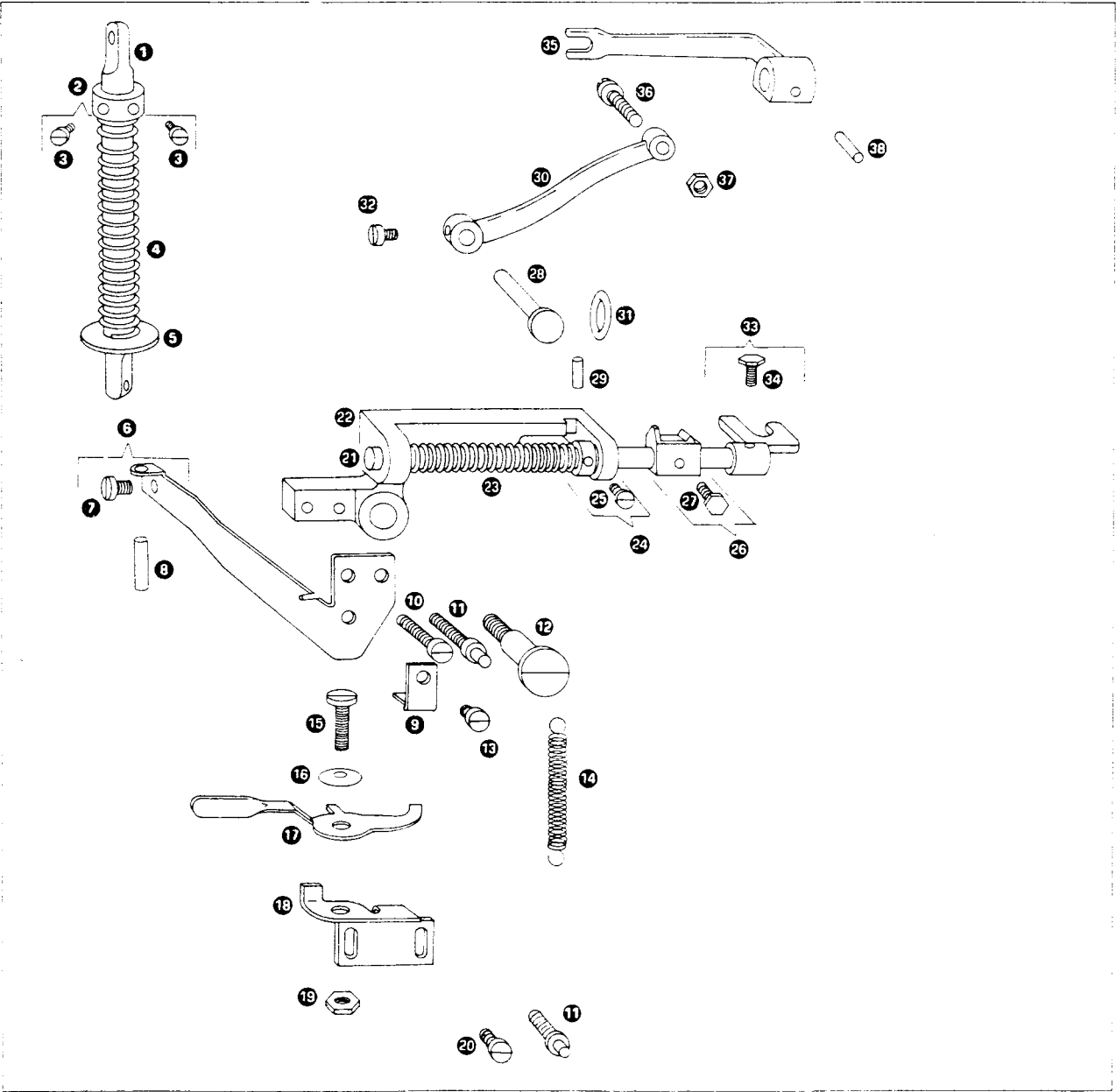
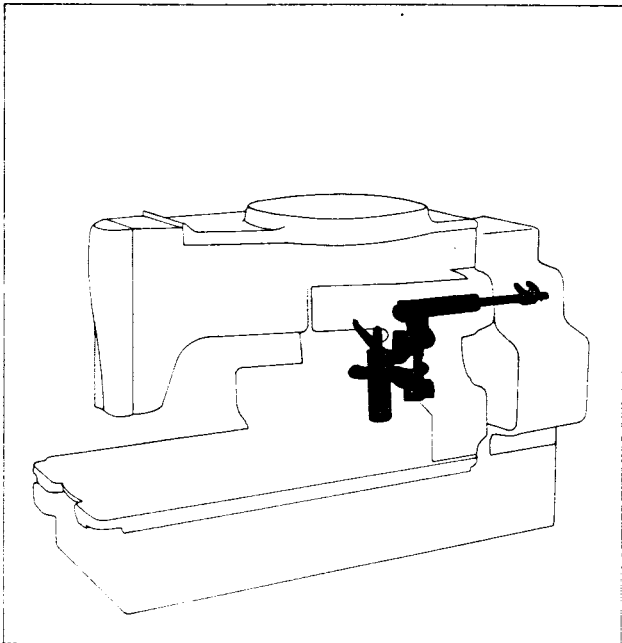
Parts List for 271K14 Machine

Ref. No.	Part No. For Ordering	Description	Amt. Req.
1	795(803)	Stop Cam Gear Stud Set Screw	
2	271650	Stop Cam Gear Stud	
3	271939	Stop Cam with two 202330	
4	202330	Stop Cam Oil Packing (wick)	2
5	271759	Stop Cam Gear	
6	249713	Stop Cam Spring Stop Screw Block with 457(830)	
7	457(830)	Stop Cam Spring Stop Screw Block Set Screw	
8	871(806)	Stop Cam Spring Stop Screw	
9	271495	Stop Cam Spring	
10	271619	Pulley (positive drive) Gear and Stop Cam Spring Cover with three 389(806)	
11	389(806)	Stop Cam Spring Cover Screw	3
12	140050(803)	Pulley (positive drive) Gear Screw	3
13	271730	Stop Cam Gear Stud Washer	
14	265672	Stop Cam Gear Stud Retaining Ring	
15	271653	Stop Cam Pinion with 453(830)	
16	453(830)	Stop Cam Pinion Set Screw	
17	40025	Stop Cam Pinion Position Pin	
18	271738	Pulley (positive drive) Spacer	
19	271763	Pulley (positive drive) with 271736 and 271766	
20	271766	Pulley (positive drive) Ball Bearing Retaining Ring	2
21	271736	Pulley (positive drive) Ball Bearing	
22	271618	Pulley (positive drive)	
23	271617	Pulley (tight) with 140321(803)	
24	140321(803)	Pulley (tight) Set Screw	
25	271739	Pulley (tight) Pin (spirol)	
26	271767	Pulley (loose) Ball Bearing Retaining Ring	2
27	271734	Pulley (loose) Ball Bearing	
28	271615	Pulley (loose) with 271734 and two 271767	
29	271740	Pulley (loose) Retaining Ring	



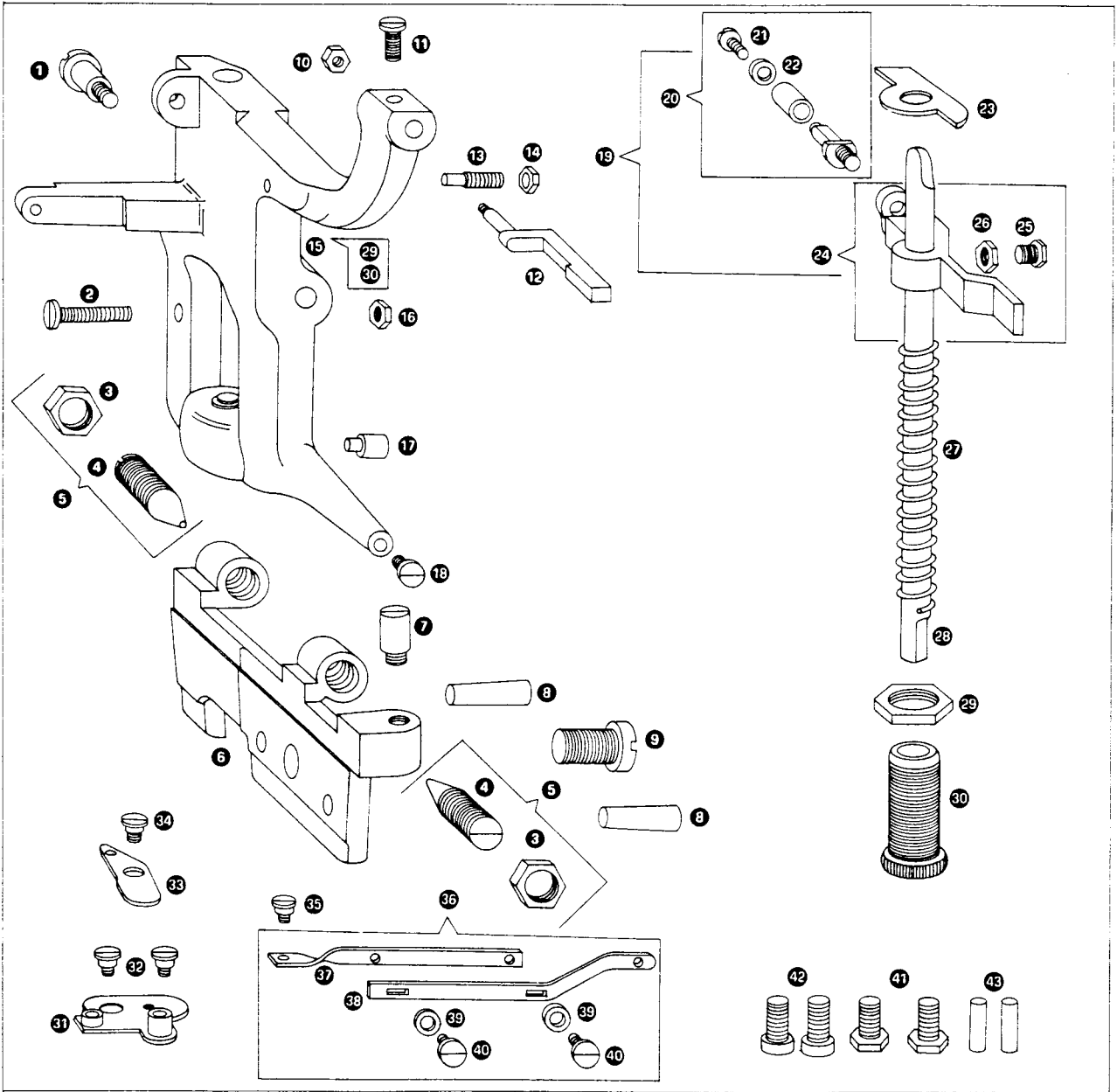
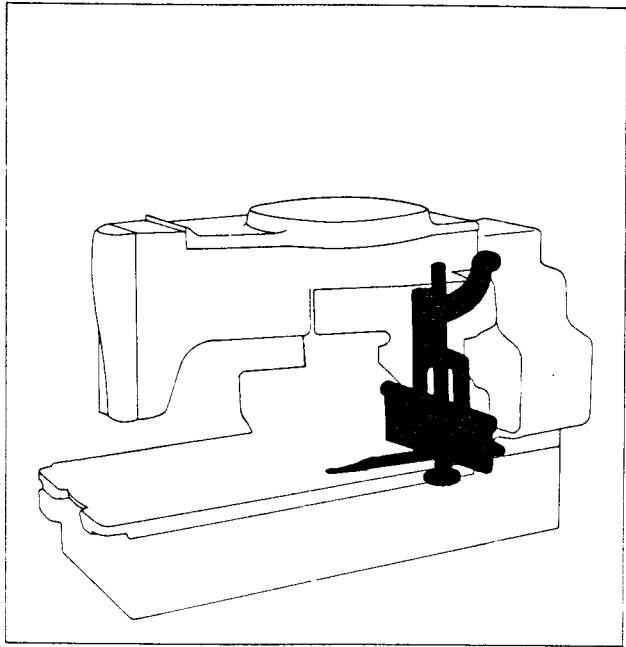
Parts List for 271K14 Machine

Ref. No.	Part No. For Ordering	Description	Amt. Req.
1	271729	Starting Lever Rod	
2	39675	Starting Lever Spring Collar with two 191(806)	
3	191(806)	Starting Lever Spring Collar Set Screw	
4	222616	Starting Lever Spring	
5	202005	Starting Lever Spring Washer	
6	249858	Belt Shifter Shaft Bracket Extension with 51047(805)	
7	51047(805)	Belt Shifter Shaft Bracket Extension Pinch Screw	
8	249864	Belt Shifter Trip Stud	
9	271965	Belt Shifter Shaft Bracket Stop	
10	158(805)	Belt Shifter Shaft Bracket Extension Screw	
11	350339(805)	Belt Shifter Shaft Bracket Spring Screw Stud	2
12	350288(806)	Belt Shifter Shaft Bracket Hinge Screw	
13	191(806)	Belt Shifter Shaft Bracket Stop Screw	
14	23554	Belt Shifter Shaft Bracket Spring	
15	59(804)	Speed Adjusting Lever Hinge Screw	
16	202248	Speed Adjusting Lever Hinge Screw Washer	
17	271802	Speed Adjusting Lever (slow speed)	
18	271803	Speed Adjusting Lever Bracket	
19	1521(819)	Speed Adjusting Lever Hinge Screw Nut	
20	161(804)	Speed Adjusting Lever Bracket Screw	
21	271524	Belt Shifter Shaft	
22	271727	Belt Shifter Shaft Bracket	
23	271950	Belt Shifter Shaft Spring	
24	249861	Belt Shifter Shaft Guide Collar with 237(804)	
25	237(804)	Belt Shifter Shaft Guide Collar Set Screw	
26	271523	Belt Shifter Operating Block with 350287(806)	
27	350287(806)	Belt Shifter Operating Block Set Screw	
28	271876	Tension (side of arm) Releaser Shaft	
29	2269	Belt Shifter Shaft Guide Collar Position Pin	
30	271877	Tension (side of arm) Releaser Shaft Crank with 202(806)	
31	39882	Belt Shifter Stop Washer (nylon)	
32	202(806)	Tension (side of arm) Releaser Shaft Crank Adjusting Screw	
33	271977	Belt Shifter with 350287(806)	
34	350287(806)	Belt Shifter Set Screw	
35	271654	Tension (side of arm) Releaser Arm	
36	679(803)	Tension (side of arm) Releaser Shaft Crank Ball Screw Stud	
37	1520(809)	Tension (side of arm) Releaser Shaft Crank Ball Screw Stud Nut	
38	271655	Tension (side of arm) Releaser Arm Pin (spirol)	



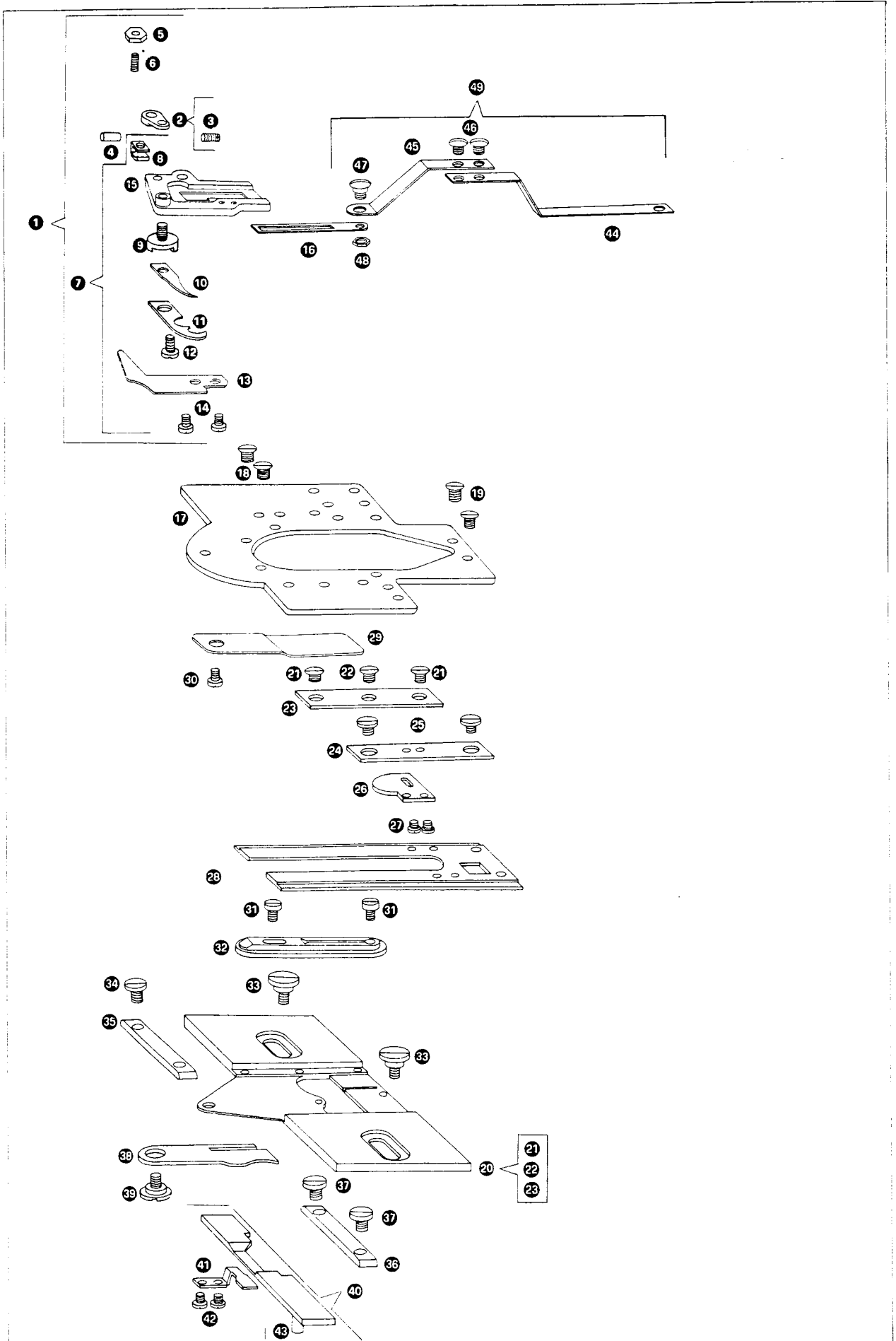
Parts List for 271K14 Machine

Ref. No.	Part No. For Ordering	Description	Amt. Req.
1	61(806)	Starting Lever Rod Hinge Screw	
2	124(803)	Starting Lever Stop Screw	
3	1508(813)	Starting Lever Screw Centre Nut	
4	564(803)	Starting Lever Screw Centre	
5	58384	Starting Lever Screw Centre with 1508(813)	
6	271937	Starting Lever Bracket	
7	1469(803)	Tension (side of arm) Releaser Lever Stop Screw Stud	
8	8582	Starting Lever Bracket Dowel Pin	2
9	123(805)	Starting Lever Bracket Screw	
10	1655(803)	Belt Shifter Operating Actuator Lock Nut	
11	350287(806)	Belt Shifter Operating Actuator Set Screw	
12	271522	Belt Shifter Operating Actuator	
13	717(833)	Starting Lever Adjusting Screw	
14	1520(809)	Starting Lever Adjusting Screw Nut	
15	271938	Starting Lever with 913(806) and 1638(804)	
16	1518(809)	Starting Lever Stop Screw Nut	
17	1241(804)	Tension (side of arm) Releaser Lever Spring Screw Stud	
18	350235(804)	Sewing Safety Lock Pitman Hinge Screw (back)	
19	271968	Stop Cam Interlocking Rod Guide with 1959	
20	1959	Knife Bar Driving Lever (intermediate) Roller and Screw Stud with 229(804) and 12424	
21	229(804)	Knife Bar Driving Lever (intermediate) Roller Cap Screw	
22	12424	Knife Bar Driving Lever (intermediate) Roller Cap Screw Washer	
23	39988	Stop Cam Interlocking Rod Guide Washer (nylon)	
24	271940	Stop Cam Interlocking Rod Guide with 1619(850) and 350635(830)	
25	350635(850)	Stop Cam Interlocking Rod Guide Set Screw	
26	1619(850)	Stop Cam Interlocking Rod Guide Set Screw Lock Nut	
27	21651	Stop Cam Interlocking Rod Spring	
28	249741	Stop Cam Interlocking Rod	
29	1638(804)	Stop Cam Interlocking Rod Spring Regulating Thumb Screw Nut	
30	913(806)	Stop Cam Interlocking Rod Spring Regulating Thumb Screw	
31	271627	Sewing Safety Lock Actuating Cam Plate	
32	181(804)	Sewing Safety Lock Actuating Cam Plate Screw	2
33	271626	Sewing Safety Lock Actuating Cam	
34	980(803)	Sewing Safety Lock Actuating Cam Hinge Screw	
35	980(803)	Sewing Safety Lock Pitman Hinge Screw (front)	
36	271633	Sewing Safety Lock Pitman complete Nos. 249947, 271632, two each 914(806) and 39541	
37	271632	Sewing Safety Lock Pitman (rear section)	
38	249947	Sewing Safety Lock Pitman (front section)	
39	39541	Sewing Safety Lock Pitman Screw Washer	
40	914(806)	Sewing Safety Lock Pitman Screw	
41	868(805)	Arm Screw (front)	2
42	748(805)	Arm Screw (back)	2
43	8582	Arm Dowel Pin	2



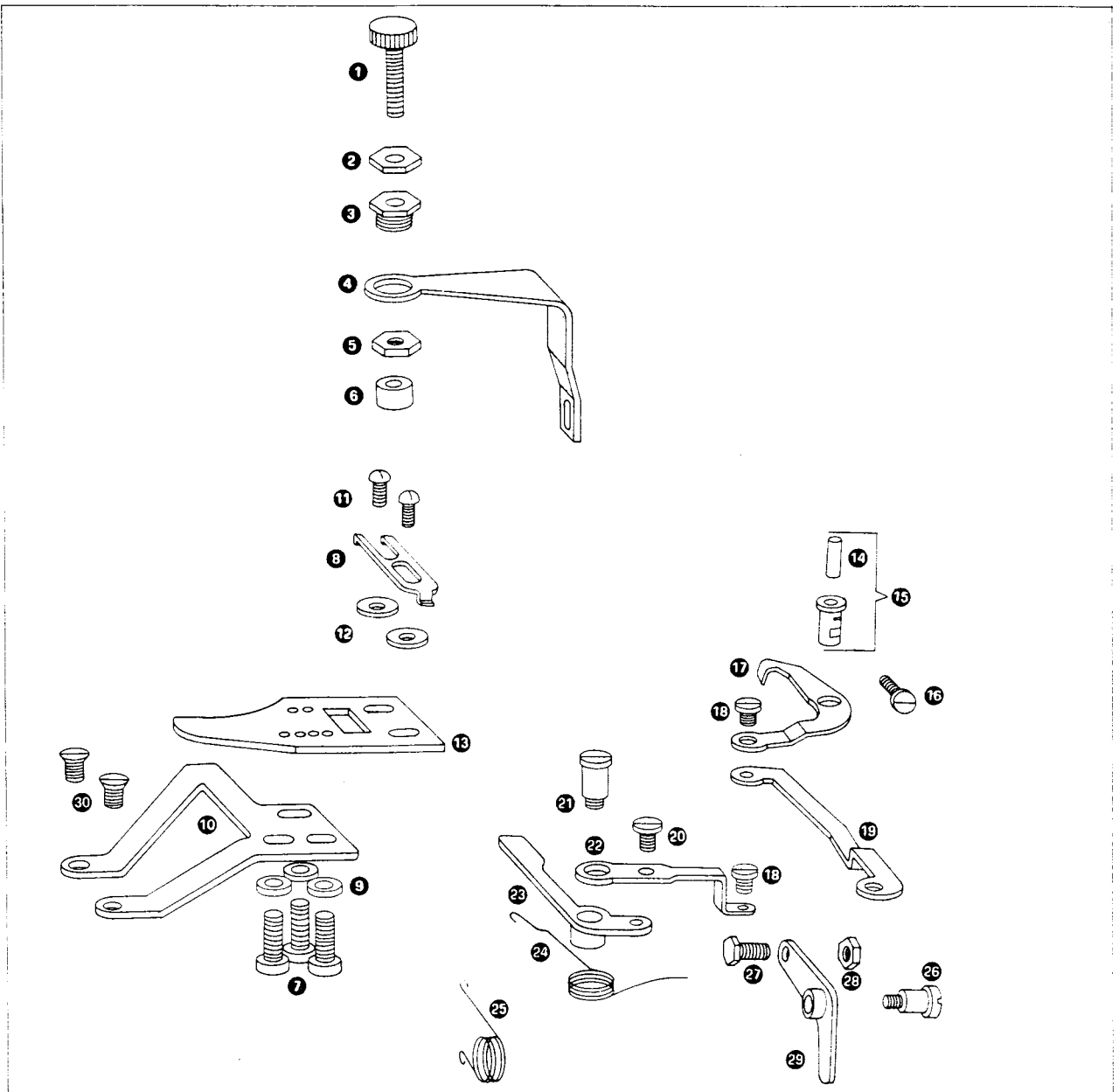
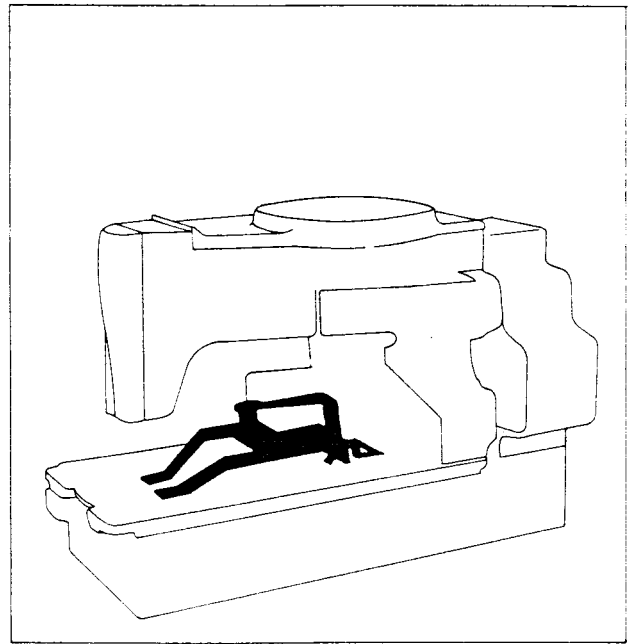
Parts List for 271K14 Machine

Ref. No.	Part No. For Ordering	Description	Amt. Req.
1	23321	Clamp Check complete	
2	40050	Thread and Cord (upper) Cutting Blade Shaft Crank with 906(833)	
3	906(833)	Thread and Cord (upper) Cutting Blade Shaft Crank Set Screw	
4	2269	Thread and Cord (upper) Cutting Blade Shaft Crank Pin	
5	1772(819)	Clamp Check Thread Clamping Pressure Spring Adjusting Screw (Nut)	
6	702(805)	Clamp Check Thread Clamping Pressure Spring Adjusting Screw	
7	23319	Clamp Check with 23320 and two 237(804)	
8	271483	Clamp Check Thread Clamping Pressure Spring	
9	39866	Thread and Cord (upper) Cutting Blade Shaft	
10	39858	Thread and Cord (upper) Cutting Blade	
11	39867	Thread and Cord (upper) Clamping Plate	
12	219(806)	Thread and Cord (upper) Cutting Blade Screw	
13	23320	Clamp Check Section and Cutting Plate	
14	237(819)	Clamp Check Section and Cutting Plate Screw	2
15	23318	Clamp Check	
16	23324	Cloth Stripper Finger	
17	271498	Clamp Carrier Plate	
18	404(804)	Clamp Carrier Plate Screw (front)	2
19	1231(806)	Clamp Carrier Plate Screw (back)	2
20	39720	Clamp Carrier Slide with 1345(804), 271920 and two 756(804)	
21	756(804)	Clamp Carrier Guide (left) Screw (long)	2
22	1345(804)	Clamp Carrier Guide (left) Screw (short)	
23	271920	Clamp Carrier Guide (left)	
24	271922	Clamp Carrier Guide (right)	
25	1230(806)	Clamp Carrier Guide (right) Screw	2
26	271490	Thread (lower) Cutting Blade Friction Plate	
27	228(806)	Thread (lower) Cutting Blade Friction Plate Screw	2
28	99773	Clamp Carrier	
29	249958	Clamp Carrier Guard	
30	244(804)	Clamp Carrier Guard Screw	
31	141666(803)	Needle Plate Screw	2
32	22979	Needle Plate	
33	1256(804)	Clamp Carrier Slide Screw	2
34	1094(803)	Clamp Carrier Slide Guide (left) Screw	2
35	271893	Clamp Carrier Slide Guide (left)	
36	271894	Clamp Carrier Slide Guide (right)	
37	1094(803)	Clamp Carrier Slide Guide (right) Screw	2
38	271749	Thread (lower) Pull-off	
39	141557(803)	Thread (lower) Pull-off Hinge Screw	
40	271780	Thread (lower) Cutting Blade Carrier with 40038	
41	271926	Thread (lower) Cutting Blade	
42	240(804)	Thread (lower) Cutting Blade Screw	2
43	40038	Thread (lower) Cutting Blade Carrier Stud	
44	23322	Cloth Stripper Arm (back)	
45	23323	Cloth Stripper Arm (front)	
46	1443(819)	Cloth Stripper Arm (front) Screw	
47	1443(819)	Cloth Stripper Finger Screw	
48	1735(819)	Cloth Stripper Finger Screw Nut	
49	23325	Cloth Stripper complete	



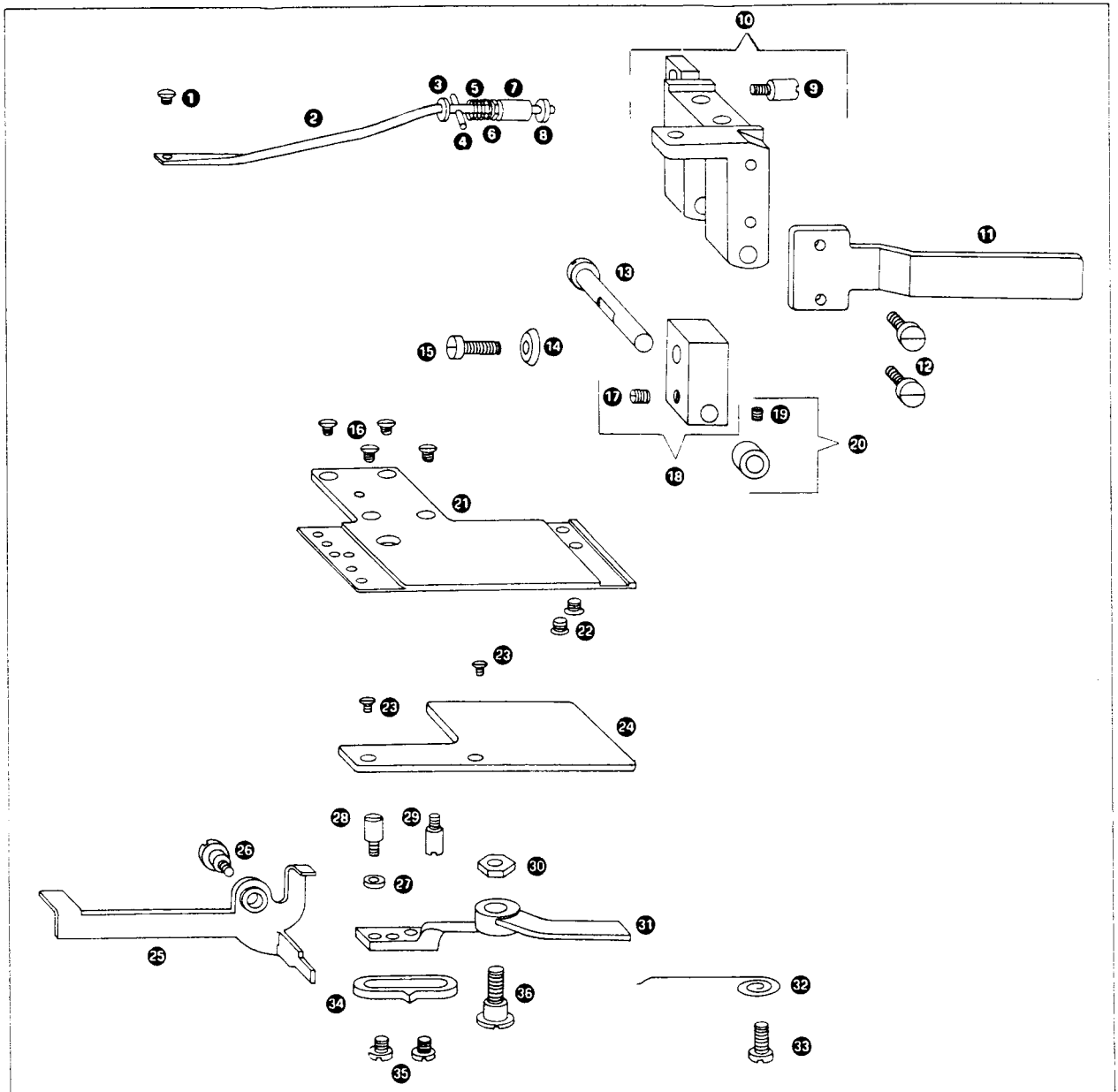
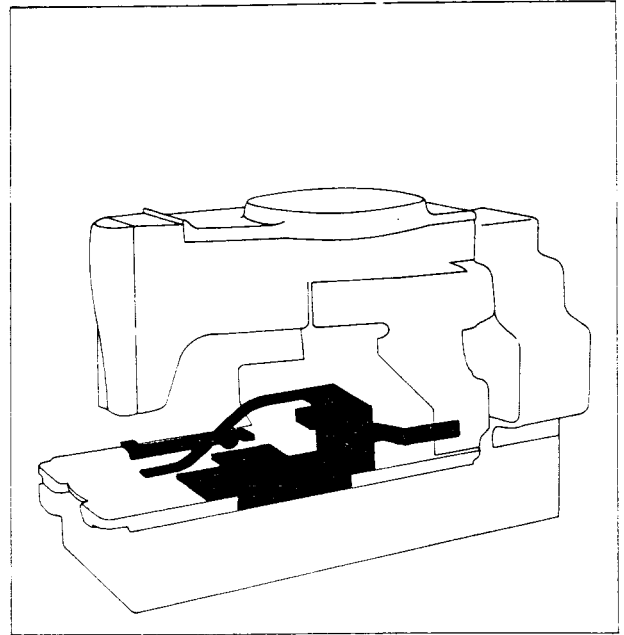
Parts List for 271K14 Machine

Ref. No	Part No For Ordering	Description	Amt Req.
1	50221(804)	Clamp Spring Thumb Screw (pressure regulating)	
2	1521(805)	Clamp Spring Thumb Screw Lock Nut	
3	271702	Clamp Spring Thumb Screw Sleeve	
4	271450	Clamp Spring	
5	1623(819)	Clamp Spring Thumb Screw Sleeve Nut	
6	271546	Clamp Spring Thumb Screw Rest	
7	1083(830)	Clamp Arm Screw	3
8	271487	Thread and Cord (upper) Cutting Blade Connecting Rod Return Spring Adjusting Plate	
9	39541	Clamp Arm Screw Washer	3
10	271851	Clamp Arm	
11	141554(830)	Clamp Arm Plate Screw	2
12	202622	Clamp Arm Plate Screw Washer	2
13	271866	Clamp Arm Plate	
14	263572	Thread and Cord (upper) Cutting Cam Follower Hinge Stud Oil Packing (wick)	
15	23326	Thread and Cord (upper) Cutting Cam Follower Hinge Stud with 263572	
16	160(819)	Thread and Cord (upper) Cutting Cam Follower Hinge Stud Set Screw	
17	271687	Thread and Cord (upper) Cutting Cam Follower	
18	350265(803)	Thread and Cord (upper) Cutting Lever Connection Link Hinge Screw	2
19	271690	Thread and Cord (upper) Cutting Lever Connection Link	
20	350459(804)	Thread and Cord (upper) Cutting Lever Connection Screw	
21	141558(833)	Thread and Cord (upper) Cutting Lever Hinge Screw	
22	271689	Thread and Cord (upper) Cutting Lever Connection (adjustable)	
23	271688	Thread and Cord (upper) Cutting Lever	
24	271493	Thread and Cord (upper) Cutting Blade Connecting Rod Return Spring	
25	271680	Thread and Cord (upper) Cutting Blade Connecting Rod Latch Spring	
26	140071(803)	Thread and Cord (upper) Cutting Blade Connecting Rod Latch Hinge Screw	
27	141575(803)	Thread and Cord (upper) Cutting Blade Connecting Rod Latch Releasing Screw	
28	201711(803)	Thread and Cord (upper) Cutting Blade Connecting Rod Latch Releasing Screw Nut	
29	271679	Thread and Cord (upper) Cutting Blade Connecting Rod Latch	
30	1297	Clamp Check Screw	2



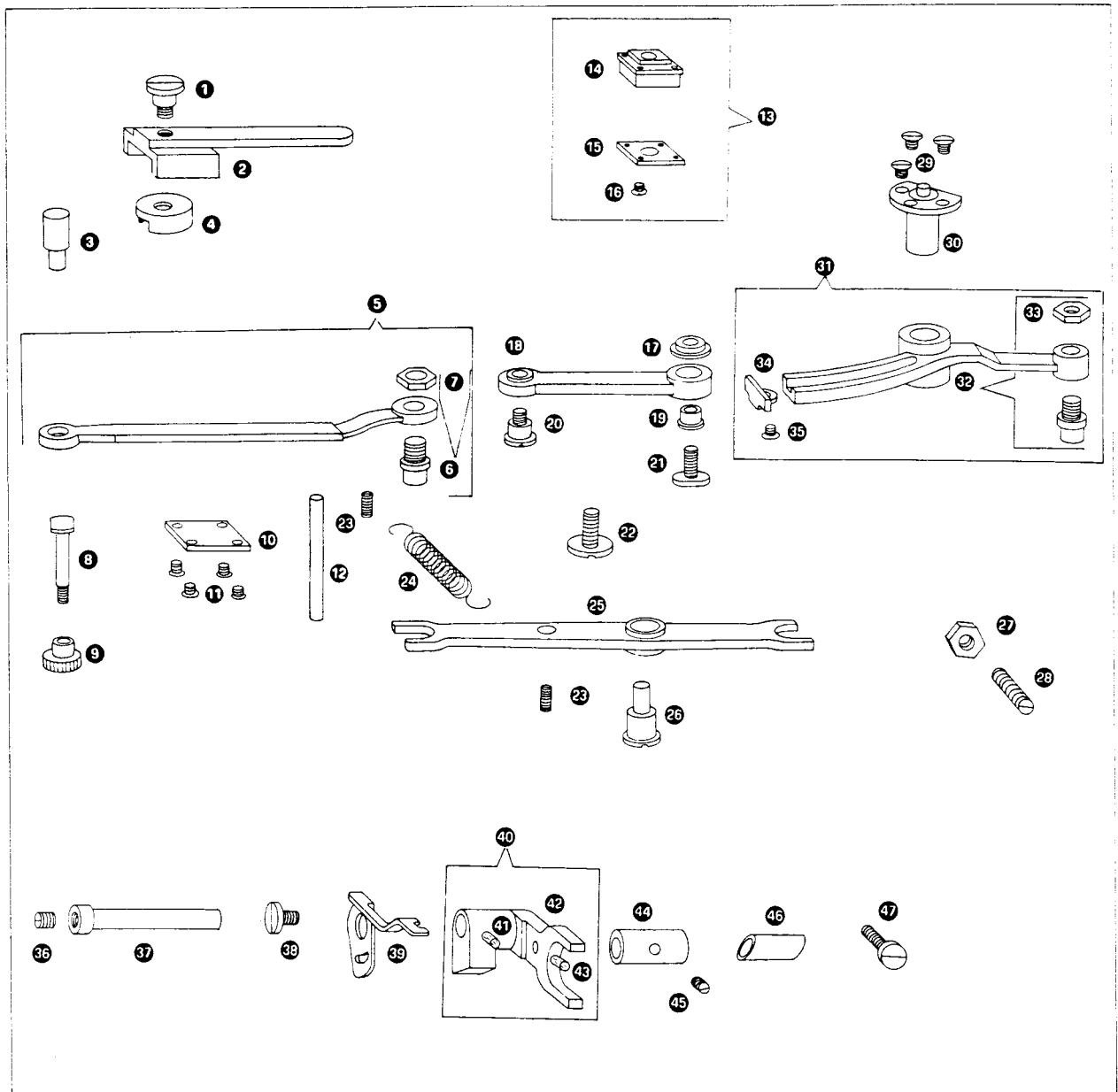
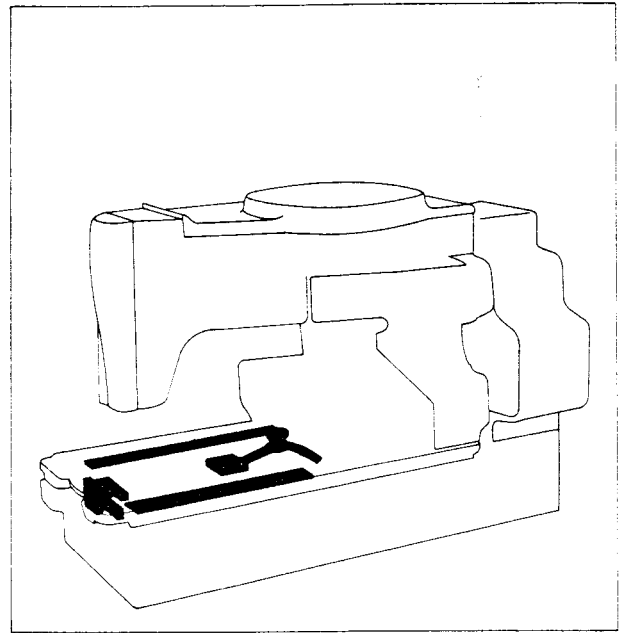
Parts List for 271K14 Machine

Ref. No.	Part No. For Ordering	Description	Amt. Req.
1	350265(803)	Thread and Cord (upper) Cutting Blade Connecting Rod Hinge Screw	
2	271878	Thread and Cord (upper) Cutting Blade Connecting Rod	
3	228026	Thread and Cord (upper) Cutting Blade Connecting Rod Washer	
4	2273	Thread and Cord (upper) Cutting Blade Connecting Rod Position Pin	
5	271691	Thread and Cord (upper) Cutting Lever Spring	
6	201624(803)	Thread and Cord (upper) Cutting Blade Connecting Rod Stop Lock Nut	
7	271684	Thread and Cord (upper) Cutting Blade Connecting Rod Stop (adjustable)	
8	40045	Thread and Cord (upper) Cutting Blade Connecting Rod Stop Washer (nylon)	
9	201437(803)	Thread and Cord (upper) Cutting Blade Connecting Rod Latch Spring Stop Screw Stud	
10	271532	Clamp Arm Hinge Block with 201437(803)	
11	271539	Clamp Lifting Arm	
12	690(804)	Clamp Lifting Arm Screw	2
13	271533	Clamp Arm Hinge Block Pin	
14	23390	Clamp Spring Screw Washer	
15	157(806)	Clamp Spring Screw	
16	1235(806)	Clamp Plate Screw	4
17	889(830)	Clamp Arm Hinge Block Pin Set Screw	
18	271543	Clamp Plate Block with 889(830)	
19	50150(830)	Clamp Arm Hinge Block Pin Collar Set Screw	
20	271792	Clamp Arm Hinge Block Pin Collar with 50150(830)	
21	271853	Clamp Plate	
22	397(805)	Clamp Plate Block Screw	2
23	50156(804)	Clamp Plate Support Screw	2
24	271544	Clamp Plate Support	
25	249922	Stop Lever	
26	50416(806)	Stop Lever Hinge Screw	
27	250444	Feed Wheel Tripping Lever Screw Stud Washer	
28	646(806)	Feed Wheel Tripping Lever Screw Stud	
29	184(805)	Feed Wheel Tripping Lever Stop Screw	
30	1620(805)	Feed Wheel Tripping Lever Hinge Screw Nut	
31	271933	Feed Wheel Tripping Lever	
32	23435	Feed Wheel Tripping Lever Spring	
33	190(804)	Feed Wheel Tripping Lever Spring Screw	
34	271951	Feed Wheel Tripping Lever Point	
35	203(803)	Feed Wheel Tripping Lever Point Screw	2
36	350237(803)	Feed Wheel Tripping Lever Hinge Screw	



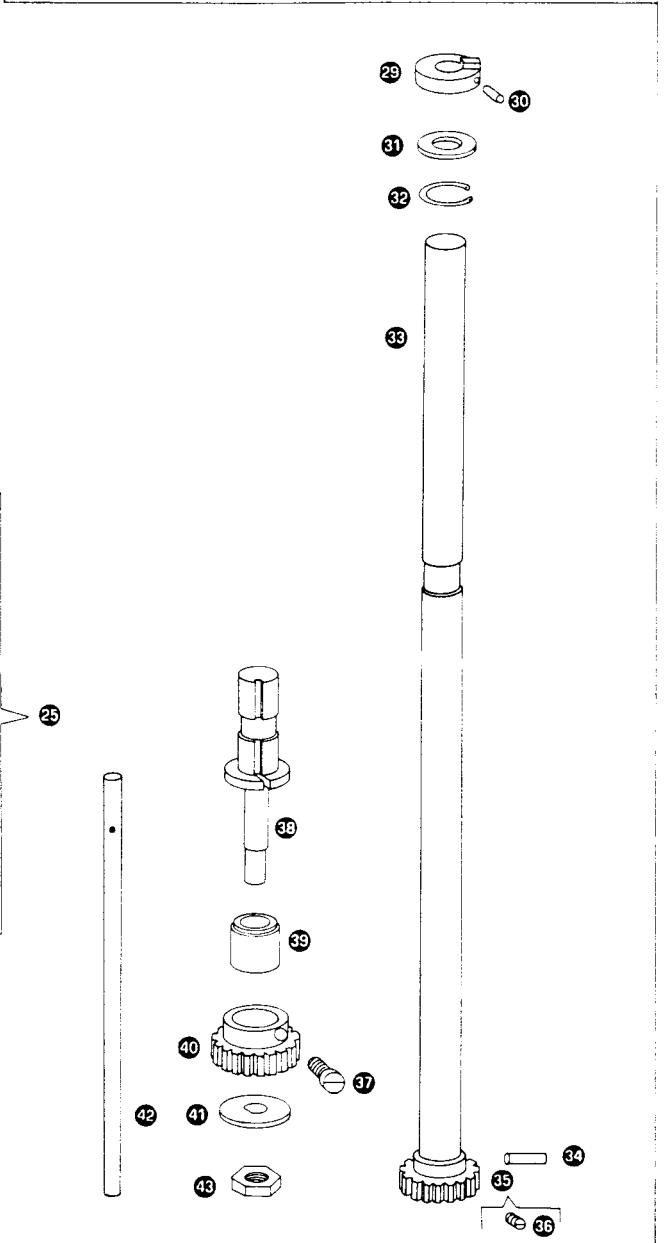
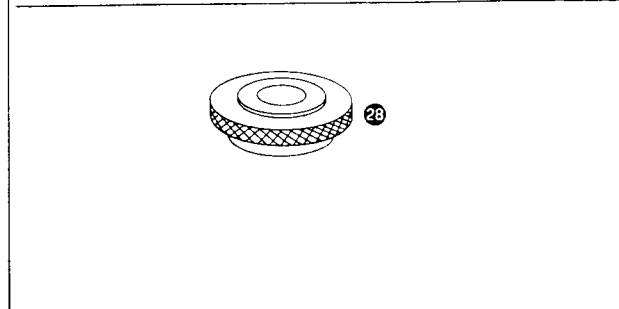
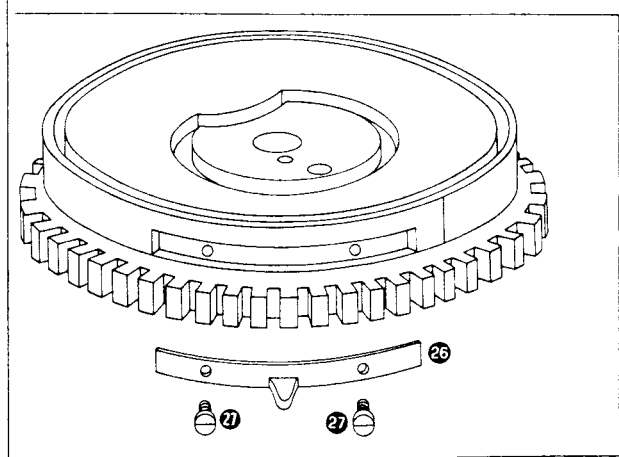
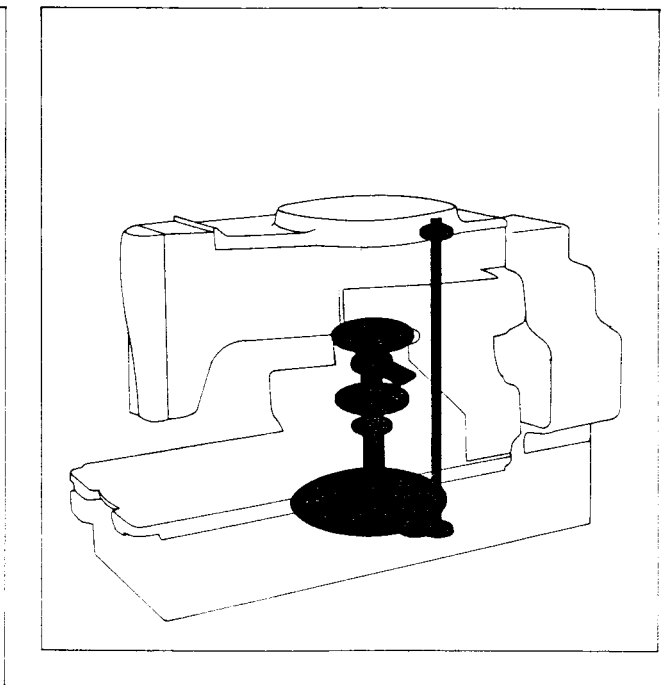
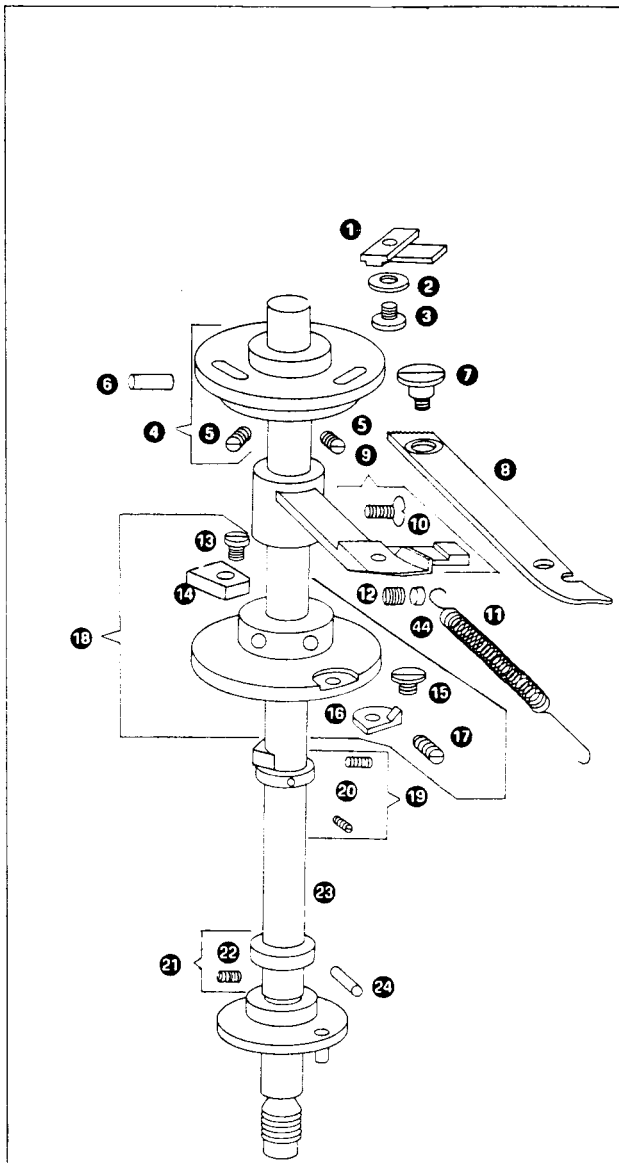
Parts List for 271K14 Machine

Ref. No.	Part No. For Ordering	Description	Amt. Req.
1	67(804)	Clamp Carrier Slide Lever Regulator Screw	
2	271895	Clamp Carrier Slide Lever Regulator	
3	271896	Clamp Carrier Slide Regulating Stud Bushing	
4	271891	Clamp Carrier Slide Lever Socket Joint	
5	99777	Clamp Carrier Slide Lever with 113314	
6	113314	Clamp Carrier Slide Lever Screw Stud with 1520(809)	
7	1520(809)	Clamp Carrier Slide Lever Roller and Screw Stud Nut	
8	1234(803)	Clamp Carrier Slide Regulating Stud	
9	1658(803)	Clamp Carrier Slide Regulating Stud Thumb Nut	
10	23396	Clamp Carrier Slide Lever Regulator Cap	
11	223(804)	Clamp Carrier Slide Lever Regulator Cap Screw	4
12	271799	Oil Supply Tube	
13	106152	Clamp Carrier Block with 40007, and four 404(804)	
14	106151	Clamp Carrier Block	
15	40007	Clamp Carrier Block Plate	
16	404(804)	Clamp Carrier Block Plate Screw	4
17	1671(803)	Clamp Carrier Regulator Stud Nut	
18	271892	Clamp Carrier Connecting Rod	
19	39532	Clamp Carrier Regulator Stud Sleeve	
20	52(803)	Clamp Carrier Connecting Rod Hinge Screw	
21	141597(803)	Clamp Carrier Regulator Stud	
22	141675(803)	Clamp Carrier Regulator Cap Screw	
23	1241(804)	Thread (lower) Cutting Blade Carrier Lever Spring Screw Stud	2
24	249534	Thread (lower) Cutting Blade Carrier Lever Spring	
25	271800	Thread (lower) Cutting Blade Carrier Lever	
26	32(806)	Thread (lower) Cutting Blade Carrier Lever Hinge Screw	
27	1520(809)	Thread (lower) Cutting Blade Carrier Lever Stop Screw Nut	
28	435(833)	Thread (lower) Cutting Blade Carrier Lever Stop Screw	
29	742(819)	Clamp Carrier Regulator Bearing Screw	3
30	271535	Clamp Carrier Regulator Bearing	
31	249960	Clamp Carrier Regulator with 240(804), 39583 and 1960	
32	1960	Clamp Carrier Regulator Roller and Screw Stud with 1520(809)	
33	1520(809)	Clamp Carrier Regulator Roller and Screw Stud Nut	
34	39583	Clamp Carrier Regulator Stud Stop	
35	240(804)	Clamp Carrier Regulator Stud Stop Screw	
36	271833	Bobbin Case Opener Bracket Oil Regulating Screw Stud	
37	271832	Bobbin Case Opener Bracket Hinge Stud	
38	141678(805)	Bobbin Case Stop Screw	
39	271418	Bobbin Case Stop	
40	271527	Bobbin Case Opener Bracket with 271828, 271829, 271974	
41	271974	Bobbin Case Opener Bracket Hinge Stud Oiling Felt	
42	271829	Bobbin Case Opener Bracket Oiling Felt Pin	
43	271828	Bobbin Case Opener Bracket Oiling Felt	
44	271417	Bobbin Case Opener Bracket Adjusting Collar with 50379	
45	50379	Bobbin Case Opener Bracket Adjusting Collar Set Screw	
46	271741	Bobbin Case Opener Bracket Hinge Stud Oil Drip Guide	
47	141602(803)	Bobbin Case Opener Bracket Hinge Stud Position Screw	



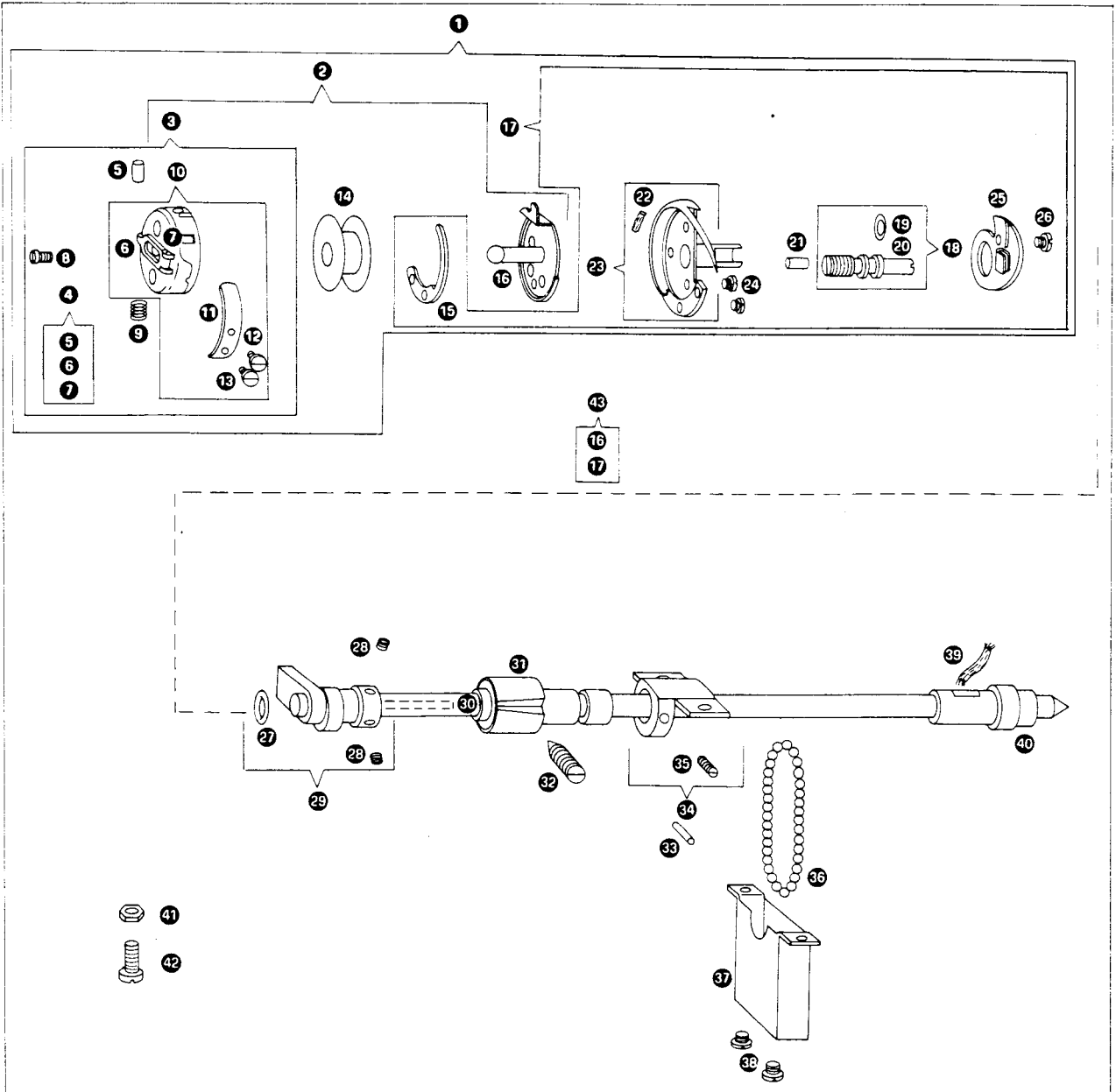
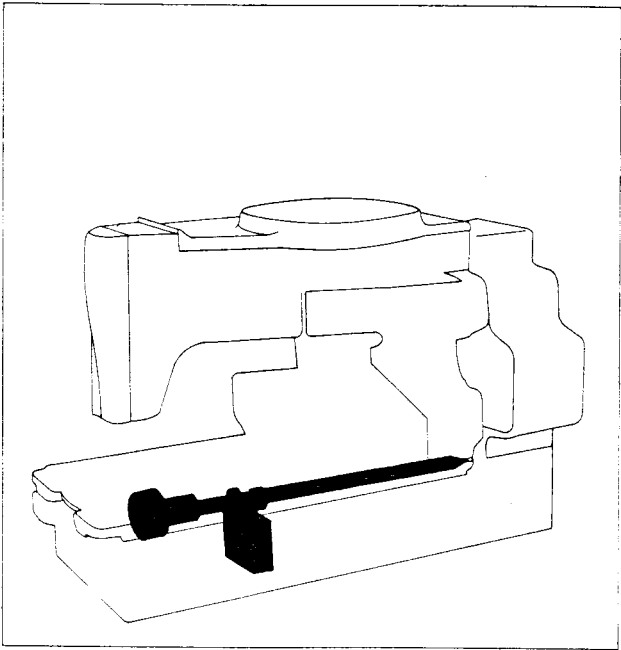
Parts List for 271K14 Machine

Ref. No.	Part No. For Ordering	Description	Amt. Req.
1	249804	Barring Plate	
2	206482	Barring Plate Screw Washer	
3	350229(805)	Barring Plate Screw	
4	271515	Barring Plate Cam with two 448(833)	
5	448(833)	Barring Plate Cam Set Screw	
6	40025	Barring Plate Cam Position Pin	
7	50057(804)	Feed Hand Ratchet Lever Hinge Screw	
8	271757	Feed Hand Ratchet Lever	
9	271758	Feed Hand Ratchet Lever Bracket with 1241(804)	
10	1241(804)	Feed Hand Ratchet Lever Bracket Spring Screw Stud	
11	271772	Feed Hand Ratchet Lever Bracket Spring	
12	453(830)	Feed Hand Ratchet Lever Hinge Screw Lock Screw	
13	175(805)	Knife Bar Disengaging Lever Catch Tripping Point Screw	
14	23466	Knife Bar Disengaging Lever Catch Tripping Point	
15	756(805)	Belt Shifter Trip Point Screw	
16	249863	Belt Shifter Trip Point	
17	448(833)	Knife Bar Disengaging Lever Catch Tripping Point Collar Set Screw	
18	249869	Knife Bar Disengaging Lever Catch Tripping Point Collar with 175(805), 756(805), 23466, 249863 and two 448(833)	
19	271686	Thread and Cord (upper) Cutting Cam with two 458(833)	
20	458(833)	Thread and Cord (upper) Cutting Cam Set Screw	
21	271573	Feed Wheel Shaft Thrust Collar with 460(830)	
22	460(830)	Feed Wheel Shaft Thrust Collar Set Screw	
23	271927	Feed Wheel Shaft	
24	9046	Feed Wheel Shaft Thrust Collar Position Pin	
25	271872	Feed Wheel with 271795 and two 141563(805)	
26	271795	Feed Wheel Tripping Point	
27	141563(805)	Feed Wheel Tripping Point Screw	
28	201668(805)	Feed Wheel Clamping Nut	
29	271649	Stitch Regulating Gear Driver	
30	239515	Stitch Regulating Gear Driver Pin (spirol)	
31	271569	Feed Wheel Driving Shaft Washer	
32	265672	Feed Wheel Driving Shaft Retaining Ring	
33	271565	Feed Wheel Driving Shaft	
34	239515	Feed Wheel Driving Shaft Gear Position Pin (spirol)	
35	271566	Feed Wheel Driving Shaft Gear with 904(830)	
36	904(830)	Feed Wheel Driving Shaft Gear Position Screw	
37	141602(803)	Feed Wheel Driving Shaft Gear (intermediate) Stud Set Screw	
38	22966	Feed Wheel Driving Shaft Gear (intermediate) Stud	
39	22964	Feed Wheel Driving Shaft Gear (intermediate) Bushing	
40	22963	Feed Wheel Driving Shaft Gear (intermediate)	
41	22965	Feed Wheel Driving Shaft Gear (intermediate) Bushing Washer	
42	235706	Feed Wheel Driving Shaft Oiling Wick	
43	51652(805)	Feed Wheel Driving Shaft Gear (intermediate) Bushing Washer Lock Nut	
44	204479	Feed Hand Ratchet Lever Hinge Screw Lock Screw Insert	



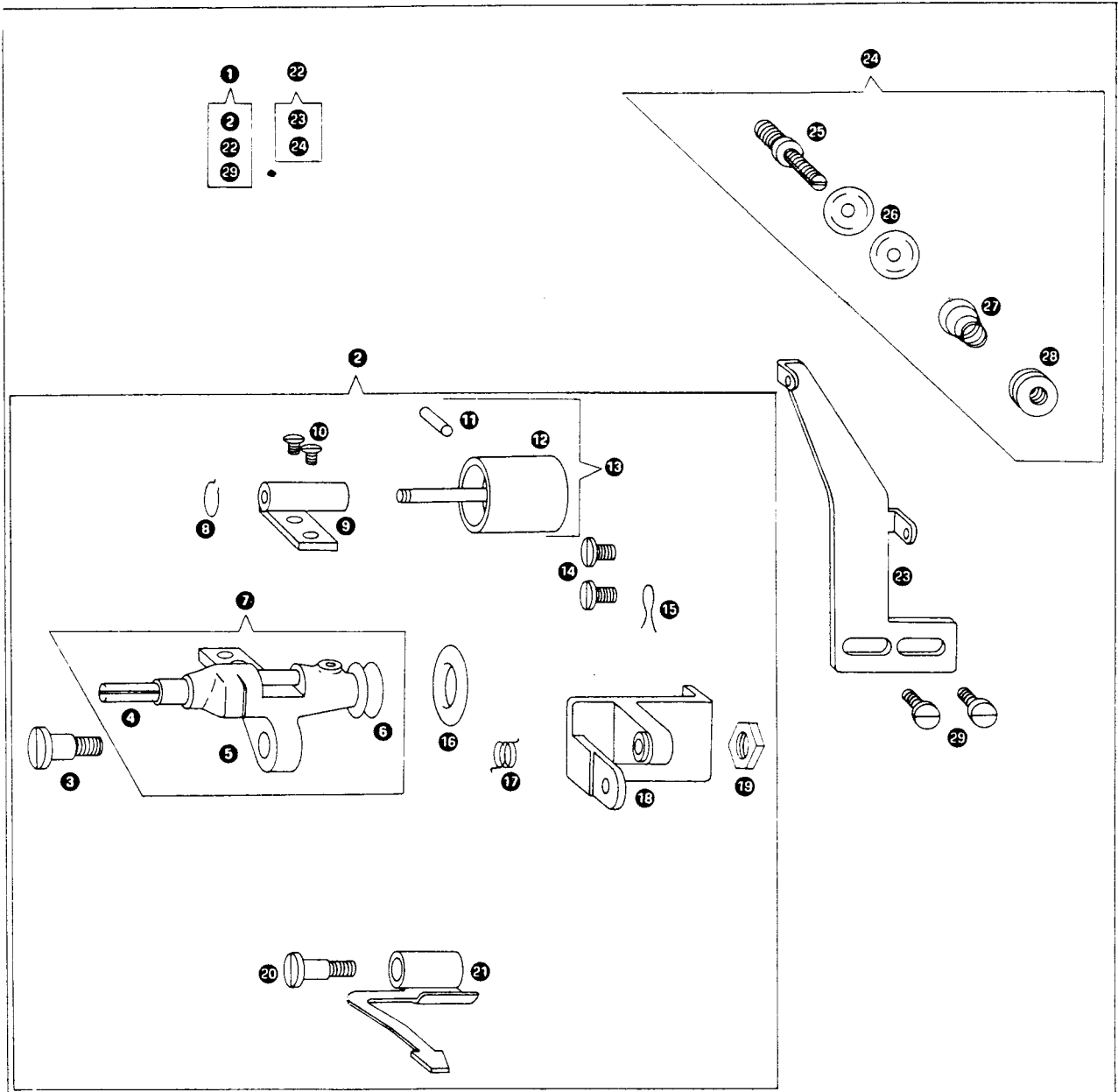
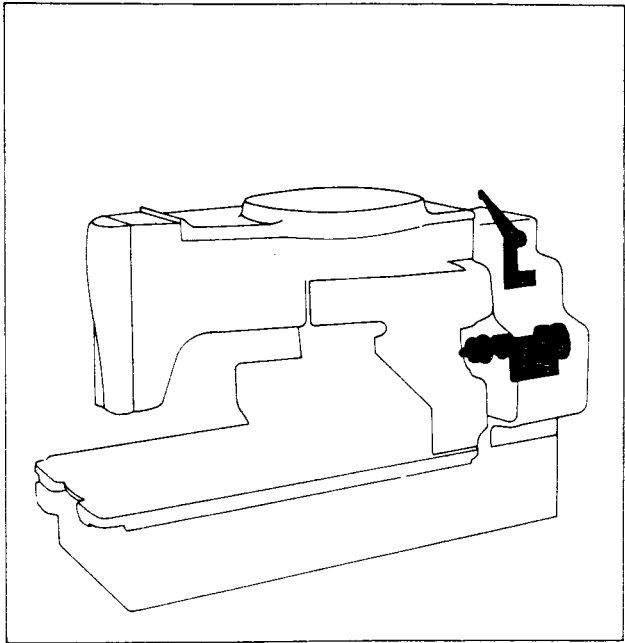
Parts List for 271K14 Machine

Ref. No.	Part No. For Ordering	Description	Amt. Req.
1	107123	Hook and Bobbin Case complete	
2	107121	Bobbin Case complete	
3	107119	Bobbin Case Cap complete	
4	271787	Bobbin Case Latch with 210734 and 210735	
5	210735	Bobbin Case Latch Fulcrum Pin	
6	271786	Bobbin Case Latch	
7	210734	Bobbin Case Latch Lever	
8	592(805)	Bobbin Case Latch Stop Screw	
9	210736	Bobbin Case Latch Spring	
10	107117	Bobbin Case Cap with 591(806), 106426 and 141514(803)	
11	106426	Bobbin Case Tension Spring	
12	141514(803)	Bobbin Case Tension Spring Regulating Screw	
13	591(806)	Bobbin Case Tension Spring Screw	
14	233028	Bobbin	
15	106190	Hook Gib	
16	271419	Bobbin Case Base	
17	106267	Hook (sewing) with 106190, 141507, 210541, 271471, 271593 and two 141525	
18	271471	Hook Oil Control Screw Stud with 271808	
19	271808	Hook Oil Control Screw Stud Seal Ring (rubber)	
20	271592	Hook Oil Control Screw Stud	
21	271593	Hook Oil Control Screw Stud Pin	
22	502535	Hook Oiling Felt	
23	106189	Hook Sewing with 502535	
24	141525(806)	Hook Gib Screw	2
25	210541	Hook Washer Needle Guard	
26	141507(803)	Hook Washer Needle Guard Screw	
27	244746	Hook Oil Seal Ring (rubber)	
28	141547(830)	Hook Set Screw	2
29	271585	Hook Driving Shaft with 244746 and two 141547(830)	
30	271788	Hook Driving Shaft Oil Packing (wick)	
31	271456	Hook Driving Shaft Bushing (front) (adjustable)	
32	141629(830)	Hook Driving Shaft Bushing (front) (adjustable) Set Screw	
33	271591	Hook Driving Shaft Oil Tube (brass)	
34	271475	Hook Driving Shaft Oil Chain Guard (upper) with 350595(850)	
35	350595(850)	Hook Driving Shaft Oil Chain Guard (upper) Set Screw	
36	271589	Hook Driving Shaft Oil Chain (endless)	
37	271474	Hook Driving Shaft Oil Chain Guard (lower)	
38	50579(805)	Hook Driving Shaft Oil Chain Guard (lower) Screw	2
39	271830	Hook Driving Shaft Bushing (back) Oil Packing (wick)	
40	271586	Hook Driving Shaft Bushing (back)	
41	53569(805)	Bed Leg Extension (adjustable) Lock Nut	
42	141659(805)	Bed Leg Extension (adjustable) Screw	
43	106268	Hook (sewing) with 271419	



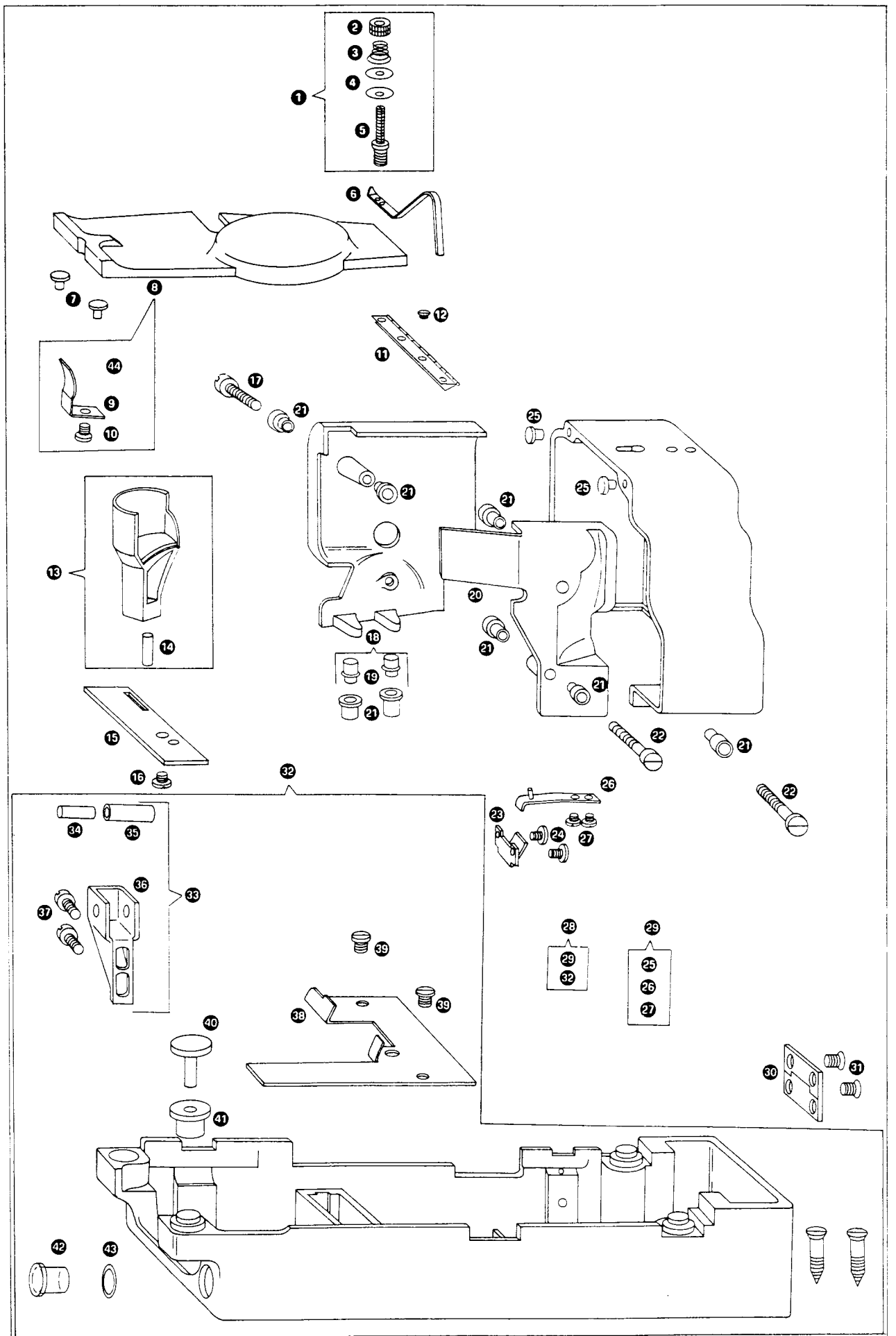
Parts List for 271K14 Machine

Ref. No.	Part No. For Ordering	Description	Amt. Req.
1	271717	Bobbin Winder with Thread Guide complete	
2	271713	Bobbin Winder complete	
3	50356(804)	Bobbin Winder Frame Hinge Screw	
4	235345	Bobbin Winder Spindle	
5	271705	Bobbin Winder Frame	
6	271711	Bobbin Winder Spindle Pulley	
7	271706	Bobbin Winder Frame with 225345 and 271711	
8	239241	Bobbin Winder Pulley Shaft Retaining Ring	
9	271709	Bobbin Winder Pulley Bracket	
10	171(831)	Bobbin Winder Pulley Bracket Screw	2
11	271710	Bobbin Winder Pulley Shaft	
12	271707	Bobbin Winder Pulley	
13	271708	Bobbin Winder Pulley with 271710	
14	160(804)	Bobbin Winder Base Screw	2
15	240245	Bobbin Winder Base Screw Retaining Spring	
16	271798	Bobbin Winder Friction Ring (rubber)	
17	249716	Bobbin Winder Frame Spring	
18	271704	Bobbin Winder Base	
19	1620(819)	Bobbin Winder Frame Hinge Screw Nut	
20	35(804)	Bobbin Winder Stop Latch Hinge Screw	
21	271712	Bobbin Winder Stop Latch	
22	271715	Bobbin Winder Thread Guide with 271948	
23	271714	Bobbin Winder Thread Guide	
24	271948	Bobbin Winder Tension complete	
25	418(804)	Bobbin Winder Tension Screw Stud	
26	2455	Bobbin Winder Tension Disc	2
27	232515	Bobbin Winder Tension Spring	
28	1562(819)	Bobbin Winder Tension Regulating Thumb Nut	
29	792(804)	Bobbin Winder Thread Guide Screw	2



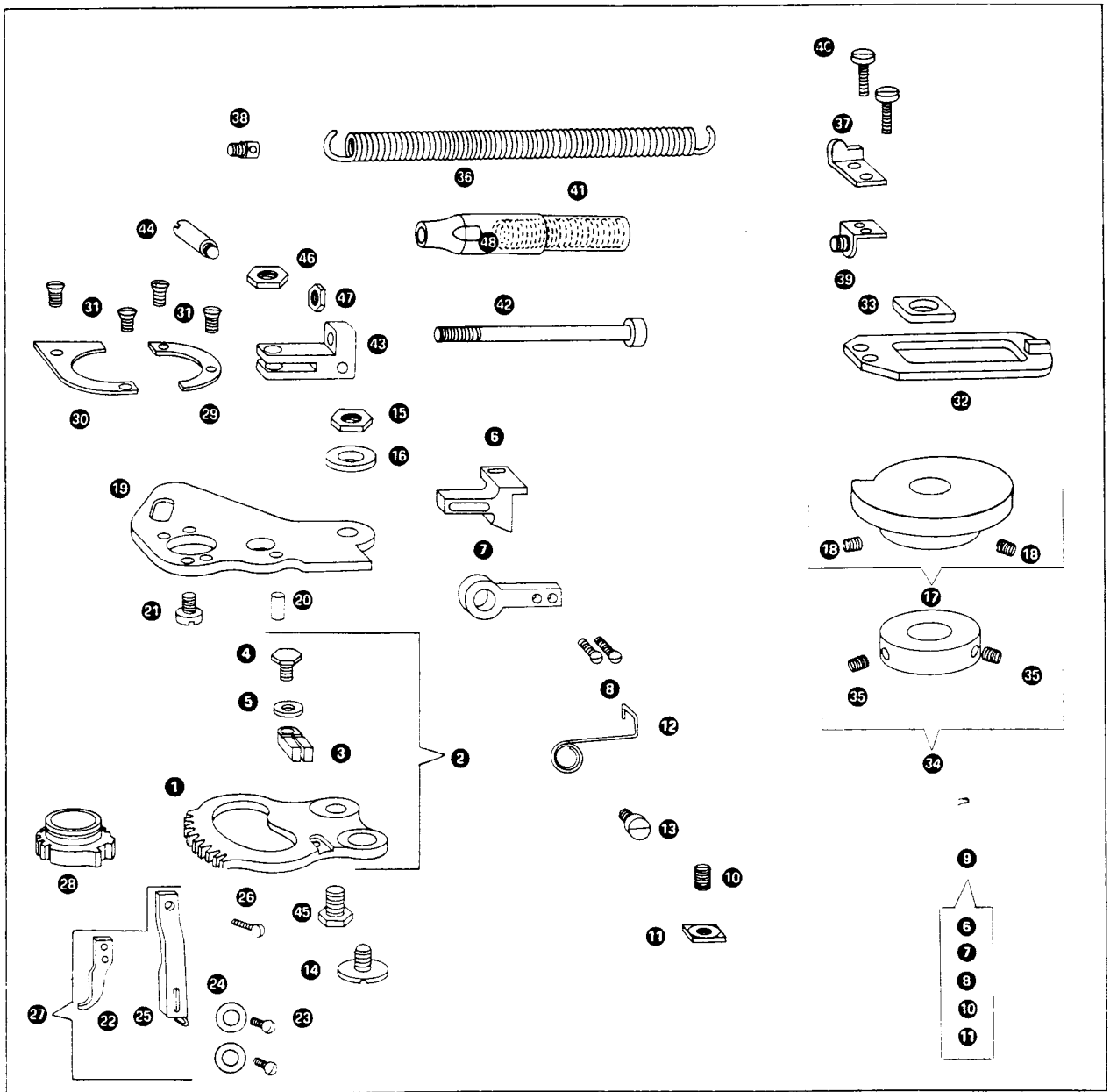
Parts List for 271K14 Machine

Ref. No.	Part No. For Ordering	Description	Amt. Req.
1	271614	Needle Thread Tension complete	
2	53564(804)	Needle Thread Tension Regulating Thumb Nut	
3	271464	Needle Thread Tension Spring	
4	203962	Needle Thread Tension Disc	2
5	141544(804)	Needle Thread Tension Stud	
6	271488	Needle Thread Tension Guide	
7	228661	Arm Top Cover Cushion (rubber)	2
8	271512	Arm Top Cover with 190(804), 23135 and 271761	
9	271761	Arm Top Cover Lock Spring	
10	190(804)	Arm Top Cover Lock Spring Screw	
11	271514	Arm Top Cover Hinge	
12	934(819)	Arm Top Cover Hinge Screw	8
13	271862	Bed Oil Guard with 249883	
14	249883	Bed Oil Guard Tube (brass)	
15	271536	Clamp Carrier Regulator Slide	
16	1235(806)	Bed Oil Guard Screw	
17	141572(819)	Arm Side Cover (left) Screw	
18	271510	Arm Side Cover (left) with two 271804	
19	271804	Arm Side Cover (left) Position Pin	2
20	271511	Arm Side Cover (right)	
21	271791	Arm Side Cover Insert Cushion (rubber)	8
22	141572(819)	Arm Side Cover (right) Screw	2
23	271752	Belt Guard Lock Spring Catch	
24	176(819)	Belt Guard Lock Spring Catch Screw	2
25	228661	Belt Guard Cushion (rubber)	2
26	271435	Belt Guard Lock Spring	
27	217(805)	Belt Guard Lock Spring Screw	2
28	271726	Machine Base and Belt Guard complete	
29	271718	Belt Guard with 271435, two each 217(805) and 228661	
30	271732	Belt Guard Hinge	
31	389(819)	Belt Guard Hinge Screw	2
32	271721	Machine Base assembly	
33	23162	Machine Hinge Connection Bracket with 271778 and 271779	
34	271778	Machine Hinge Connection Pin (spiral)	
35	271779	Machine Hinge Connection Pin Sleeve (plastic)	
36	271431	Machine Hinge Connection Bracket	
37	50615(819)	Machine Hinge Connection Bracket Screw	2
38	271723	Machine Base Oil Reservoir Cover	
39	203(805)	Machine Base Oil Reservoir Cover Screw	2
40	271762	Machine Base Cushion Cap	
41	271722	Machine Base Cushion (rubber)	
42	243798	Machine Base Oil Level Indicator	
43	243799	Machine Base Oil Level Indicator Oil Seal (neoprene)	
44	23135	Stitch Regulating Gear Chart	



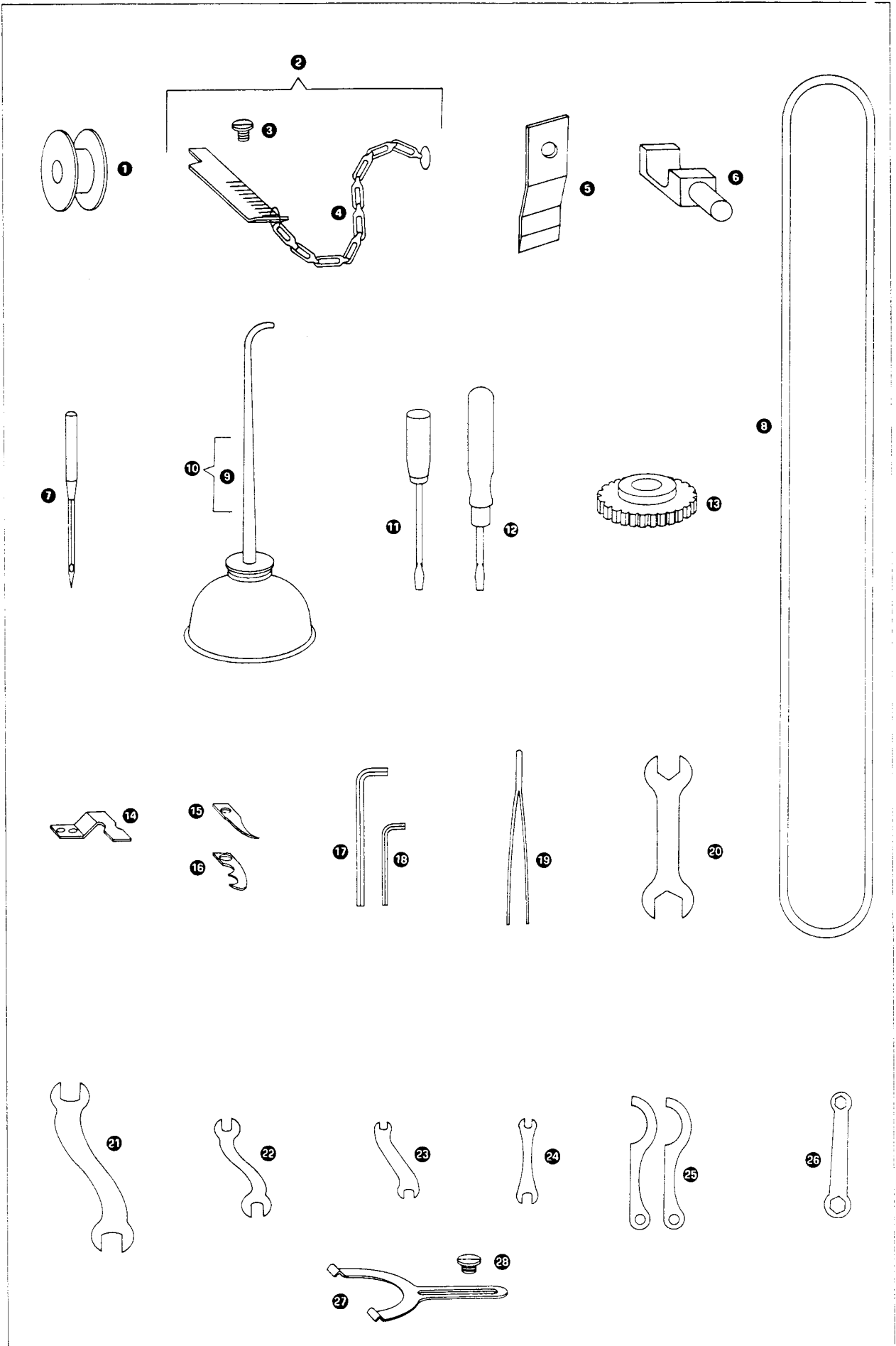
Parts List for 271K14 Machine

Ref. No.	Part No. For Ordering	Description	Amt. Req.
1	395990	Cord Rotating Sector	
2	106209	Cord Rotating Sector with 7071, 106210 and 201321 (803)	
3	106210	Cord Rotating Sector Adjustable Catch Notch Gib	
4	201321(803)	Cord Rotating Sector Adjustable Catch Notch Gib Screw	
5	7071	Cord Rotating Sector Adjustable Catch Notch Gib Screw Washer	
6	106211	Cord Rotating Sector Catch	
7	106212	Cord Rotating Sector Catch Connection	
8	767(804)	Cord Rotating Sector Catch Screw	2
9	106213	Cord Rotating Sector Catch complete, 440, 1547, 106211, 106212 and two 767(804)	
10	440(830)	Cord Rotating Sector Catch Stop Screw	
11	1547(819)	Cord Rotating Sector Catch Stop Screw Nut	
12	271869	Cord Rotating Sector Catch Spring	
13	1034(806)	Cord Rotating Sector Catch Spring Screw	
14	350342(804)	Cord Rotating Sector Hinge Screw (eccentric)	
15	1520(809)	Cord Rotating Sector Hinge Screw Nut	
16	213949	Cord Rotating Sector Hinge Screw Washer	
17	262009	Cord Rotating Tripping Cam with two 458(803)	
18	458(803)	Cord Rotating Tripping Cam Set Screw	2
19	39899	Cord Leading Bracket	
20	39768	Cord Leading Bracket Dowel Pin	
21	389(806)	Cord Leading Bracket Screw	
22	106202	Cord Leading Finger (lower)	
23	109209(805)	Cord Leading Finger (lower) Screw	2
24	39853	Cord Leading Finger (lower) Screw Washer	2
25	106205	Cord Leading Finger (upper)	
26	206(806)	Cord Leading Finger (upper) Screw	
27	106206	Cord Leading Finger complete, 106202, 106205 and two 39853 and 109209	
28	39855	Cord Rotating Gear	
29	39773	Cord Rotating Gear Gib (back)	
30	39772	Cord Rotating Gear Gib (front)	
31	1329(804)	Cord Rotating Gear Gib Screw	4
32	39780	Cord Rotating Gear Slide	
33	39781	Cord Rotating Gear Slide Block	
34	271867	Cord Rotating Gear Slide Collar with two 141667(830)	
35	141667(830)	Cord Rotating Gear Slide Collar Set Screw	2
36	39788	Cord Rotating Gear Slide Connecting Spring	
37	262004	Cord Rotating Gear Slide Connecting Spring Plate	
38	1241(804)	Cord Rotating Gear Slide Connecting Spring Screw Eye (front)	
39	262005	Cord Rotating Gear Slide Extension	
40	185(806)	Cord Rotating Gear Slide Extension Screw	2
41	262006	Cord Rotating Gear Slide Sleeve	
42	262007	Cord Rotating Gear Slide Sleeve Slide Rod	
43	271868	Cord Rotating Gear Slide Sleeve Slide Rod Connection	
44	871(806)	Cord Rotating Gear Slide Sleeve Slide Rod Connection Handle Screw	
45	114060(806)	Cord Rotating Gear Slide Sleeve Slide Rod Connection Hinge Screw	
46	1735(804)	Cord Rotating Gear Slide Sleeve Slide Rod Connection Hinge Screw Lock Nut	
47	1521(804)	Cord Rotating Gear Slide Sleeve Slide Rod Nut	
48	39784	Cord Rotating Gear Slide Sleeve Spring	



Accessories for 271K14 Machines

Ref. No.	Part No. For Ordering	Description	Amt. Req.
1	233028	Bobbin	2
2	262026	Gauge for setting length of buttonhole with 200137(819) and 249789	
3	200137(819)	Gauge Chain and Ring Screw	
4	249789	Gauge Chain and Ring	
5	23117	Knife 3/8 inch	
	23121	Knife 5/8 inch	
	23123	Knife 3/4 inch	
6	271703	Machine Hinge Connection	2
7	Cat. No. 1526	Needles, Chromium finish, three each sizes 12 and 14	
8	271797	Machine Driving Belt (endless) (5/16 inch diameter—46 inches long)	
9	120346	Oiler (copper plated) with 120347	
10	120347	Oiler Spout, 8-1/2 inches long	
11	161295	Screw Driver (plastic handle) (small)	
12	161294	Screw Driver (plastic handle) (large)	
13	271641	Stitch Regulating Gear 45 teeth	
	271636	Stitch Regulating Gear 36 teeth	
	271645	Stitch Regulating Gear 54 teeth	
	271638	Stitch Regulating Gear 36 teeth	
	271642	Stitch Regulating Gear 48 teeth	
14	271926	Thread (lower) Cutting Blade	
15	39867	Thread and Cord (upper) Clamping Plate	
16	39858	Thread and Cord (upper) Cutting Blade	
17	239353	Wrench	
18	267242	Wrench	
19	255513	Tweezers	
20	21654	Wrench	
21	255540	Wrench	
22	255541	Wrench	
23	23535	Wrench	
24	249820	Wrench	
25	232935	Wrench	
26	249945	Wrench	
27	40013	Guide	
28	1238(806)	Guide Screw	



Fittings for 271K14 Machine

Ref. No.	Part No. For Ordering	Description	Amt. Req.
	98949	Clamp Check complete	
	1772(819)	Clamp Check Thread Clamping Pressure Spring Adjusting Screw Nut	
	702(805)	Clamp Check Thread Clamping Pressure Spring Adjusting Screw	
	98946	Clamp Check with 23320 and two 237(804)	
	271483	Clamp Check Thread Clamping Pressure Spring	
	23117	Knife for 3/8 inch Buttonhole	
	23118	Knife for 7/16 inch Buttonhole	
	23120	Knife for 9/16 inch Buttonhole	
	23121	Knife for 5/8 inch Buttonhole	
	23122	Knife for 11/16 inch Buttonhole	
	23123	Knife for 3/4 inch Buttonhole	
	23124	Knife for 13/16 inch Buttonhole	
	23125	Knife for 7/8 inch Buttonhole	
	23126	Knife for 15/16 inch Buttonhole	
	23127	Knife for 1 inch Buttonhole	
	23128	Knife for 1-1/16 inch Buttonhole	
	23129	Knife for 1-1/8 inch Buttonhole	
	23130	Knife for 1-1/4 inch Buttonhole	
	98947	Cloth Stripper Arm (front) for 98950	
	98948	Cloth Stripper Finger for 98950	
	98950	Cloth Stripper Complete	
	106203	Cord Leading Finger (lower) for 106207	
	106204	Cord Leading Finger (lower) for 106208	
	106207	Cord Leading Finger Complete	
	106208	Cord Leading Finger Complete	
	271635	Stitch Regulating Gear 32 teeth	
	271636	Stitch Regulating Gear 36 teeth	
	271637	Stitch Regulating Gear 36 teeth	
	271638	Stitch Regulating Gear 36 teeth	
	271639	Stitch Regulating Gear 40 teeth	
	271458	Stitch Regulating Gear 40 teeth	
	271641	Stitch Regulating Gear 45 teeth	
	271459	Stitch Regulating Gear 44 teeth	
	271642	Stitch Regulating Gear 48 teeth	
	271634	Stitch Regulating Gear 30 teeth	
	271644	Stitch Regulating Gear 50 teeth	
	271645	Stitch Regulating Gear 54 teeth	
	271646	Stitch Regulating Gear 60 teeth	
	271647	Stitch Regulating Gear 60 teeth	
	271648	Stitch Regulating Gear 60 teeth	

Fittings for 271K14 Machine

Ref. No.	Part No. For Ordering	Description	Amt. Req.
Thread Unwinder (for two spools)			
	259143	Thread Unwinder (for two spools) complete, Nos. 201696(809), 225257, 225259, 225324, 225326, 225388, 259658, three each 150203, 225391 and three wood screws 7/8 inch No. 12 R.H.B.	
Miscellaneous Parts used in conjunction with Thread Unwinder			
	27739	Thread Unwinder Thread Cone (wood) (only supplied when specified on order and at an extra charge)	
Motor Mount and Belt Tightener complete			
	151223	Motor Mount and Belt Tightener complete, Nos. 51655(813), 150783, 151066, 151219, 151220, 151221, 151222, two each 9281, 151068, four each 50807(813), 151369, eight each 1778(813), 9842 and 126150, for series K-38 (cont. running) Motor, for "V" Belt.	
Driving Equipment			
	228909	Clamp Lifting Chain, 36 inch long, with 39575 and 39576	
	250408	Machine Rest (high) with 232982 and two wood screws 1 inch No. 12	
	228757	Treadle complete, Nos 2718(813), 14372 to 14375, 17881, 50581(813), two each 23250, 51074(813) and 67425 (2).	
	228349	Starting Chain complete, Nos. 228333, 228347, 228348, two each 39575 and 39576	
Automatic Mechanical Clamp Lifting Device (Order from Elizabeth)			
	22843	Automatic Mechanical Clamp Lifting Device, Nos. 1670(805), 151490, 151491-002, 151492, 151493, 191496, 151517, 151523, 151524, 151526, 151530, 151547, 151548, 151549, 151571 and two 151525 for 22844	
		Note: No. 22843 has the same component parts as No. 151562 but the Clamp Lift Shaft No. 151549 is specifically positioned for Class 271K Machines	
	22844	Automatic Mechanical Clamp Lifting Device with Cover (Power Unit) complete, Nos. 22843, 151574, two 680(819), four each 491(819), 151569, wood screws 1-3/4 inch No. 14 R.H. and eight each 151572 and 151573	
		Note: No. 22844 has the same component parts as No. 151563 but the Clamp Lift Shaft No. 151549 component of assembly No. 22843 is specifically positioned for Class 271K Machines	

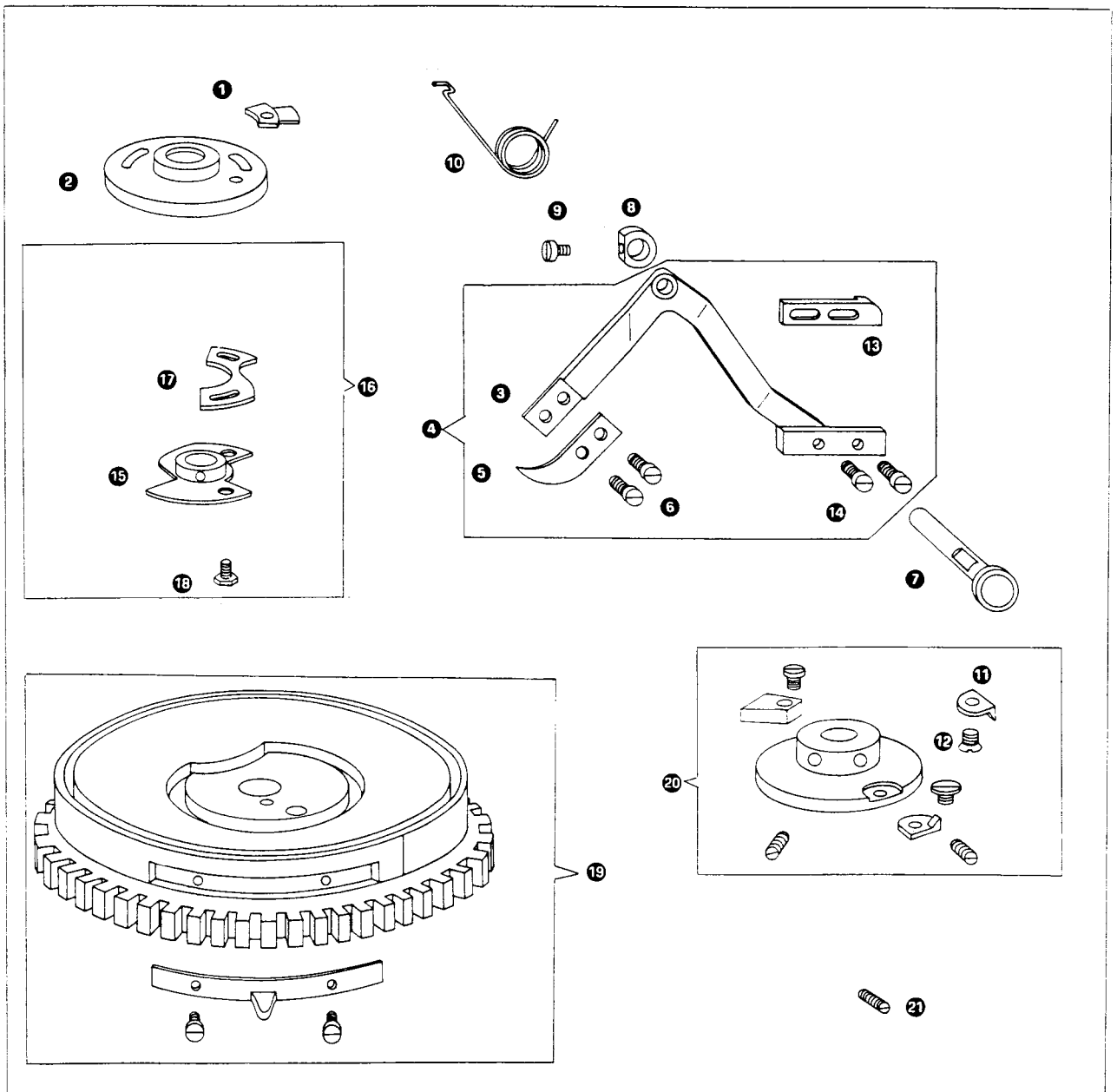
Parts List for 271K24 Machine

Parts Special to 271K24 Machine are shown under 271K24 column heading

271K14 Machine parts not used on 271K24 Machine are shown under 271K14 column heading

All other parts are the same on 271K14 and 271K24 Machine

Ref. No.		Part No. For Ordering	Description	Amt. Req.
	271K14	271K24		
1	249804	106220	Barring Plate	
2	271515	106221	Barring Plate Cam with two 448(833)	
3		106226	Cord Rotating Sector Catch Tripping Lever	
4		106227	Cord Rotating Sector Catch Tripping Lever complete, 106226, 106228, 106229 and four 1100	
5		106228	Cord Rotating Sector Catch Tripping Lever Extension	
6		1100(830)	Cord Rotating Sector Catch Tripping Lever Extension Screw	2
7		106230	Cord Rotating Sector Catch Tripping Lever Hinge Stud	
8		106231	Cord Rotating Sector Catch Tripping Lever Hinge Stud Collar with 209(831)	
9		209(831)	Cord Rotating Sector Catch Tripping Lever Hinge Stud Collar Screw	
10		106232	Cord Rotating Sector Catch Tripping Lever Spring	
11		106225	Cord Rotating Sector Catch Tripping Lever Tripping Point	
12		756(805)	Cord Rotating Sector Catch Tripping Lever Tripping Point Screw	
13		106229	Cord Rotating Sector Catch Tripping Lever Tripping Point Extension	
14		1100(830)	Cord Rotating Sector Catch Tripping Lever Tripping Point Extension Screw	2
15	262009	106222	Cord Rotating Tripping Cam	
16		106223	Cord Rotating Tripping Cam complete, 106222, 106224, two each 458(803) and 140596(803)	
17		106224	Cord Rotating Tripping Cam Segment	
18		140596	Cord Rotating Tripping Cam Segment Screw	2
19	271872	106235	Feed Wheel with 271795 and two 141563(805)	
20	249869	106233	Knife Bar Disengaging Lever Catch Tripping Point Collar with 175(805), 23466, 106225, 249863, two 448(833) and 756(805)	
21	904(830)	336(806)	Needle Set Screw	



Numerical List of Parts - 271K Machines

Part No.	Page Location of Part Nos. for Varieties of Machines						
	271K11	271K13	271KX1	271K211	271K12	271K14	271K24
32	86				148	196	
35	92				154	202	
52	86				148	196	
54	72				134	182	
59	76				138	186	
61	78				140	188	
67	86				148	196	
90	72, 72				134	182	
123	78				140	188	
124	78				140	188	
144	72				134	182	
145					150		
157	70, 84				132, 146	180, 194	
158	76				138	186	
160	82, 92				144, 154	192, 202	
161	60, 76				122, 138, 158	170, 186	
168	58				120	168	
171	92				154	202	
175	88				150	198	
176	94				156	204	
181	78				140	188	
184	84				146	194	
185						206	
190	60, 62, 68, 72				122, 124, 130, 134	170, 172, 178, 182	
	84, 94				146, 156	194, 204	
191	58, 60, 76, 76				120, 122, 138, 138,	170, 186, 186	
					138, 158		
196	64				126	174	
200	58					168	
201	70				132	180	
202	70				132	180, 186	
203	84, 94				146, 156, 158	194, 204	
206						206	
207				116			
208	58				120	168	
209	60				122		216
212	60				142	170	
216	64				126	174	
217	70, 94				132, 156	180, 204	
219	80	108				190	
223	64, 86				126, 148	174, 196	
228	64, 80				126, 142	174, 190	
229	70				132, 140	180, 188	
236						168	
237	60, 76, 80	108			122, 138, 142	170, 186, 190	
240	80, 86				142, 148	190, 196	
244		104				190	
330	58				120	168	
336	58				120, 158		216
337					142		
389	74, 94				136, 156	184, 204, 206	
397	84				146	194	
404	80, 86			—	142, 148	190, 196	
418	92				154	168, 202	
430	64				124	174	
435	68, 86				130, 148	178, 196	
440						206	
446	60, 62				122, 124	170, 172	
448	66, 88, 88				128, 150, 150	176, 198, 198	
452	64					174	
453	66, 74, 88				128, 136, 150	176, 184, 198	
457	74				136	184	

Part No. | Page Location of Part Nos. for Varieties of Machines

Part No.	271K11	271K13	271KX1	271K211	271K12	271K14	271K24
458	88					198, 206	
460	60, 88				122, 150	170, 198	
564	78				140	188	
591	90				152	200	
592	90				152	200	
646	84				146	194	
679	76					186	
690	84				146	194	
702	80, 98	108				190, 210	
704	64, 72				126	174, 182	
717	70, 78				132, 140	180, 188	
742	86				148	196	
748	78				140	188	
756	80, 88			116	142, 150	190, 198	216
767						206	
792	70, 92				132, 154	180, 202	
795	74				136	184	
858	68				130	178	
868	78				140	188	
871	74				136	184, 206	
889	84				146	194	
898	64, 70				132	174, 180	
904	88				150	168, 198	
906	80	108				190	
913	78				140	188	
914	78				140	188	
930				116			
934	80, 94				142, 144, 156	204	
940	72						
964	64				124	174	
971	66				128	176	
974	60, 72				122	170	
980	78, 78				140, 140	188, 188	
1019	58				120	168	
1021	68				130	178	
1034						206	
1038	62				124	172	
1043	60				122	170	
1065	68				130	178	
1083	82					192	
1094	80, 80				142, 142	168, 190, 190	
1100							216, 216
1149					138		
1230	80				142	190	
1231	80				142	190	
1234	86				148	196	
1235	84, 94				146, 156	194, 204	
1238						208	
1239	58			116	120	168	
1240	72				134	182	
1241	70, 72, 78, 86				132, 134, 140, 148,	180, 182, 188, 196,	
	88				150	198, 206	
1242	72				134	182	
1256	80				142	190	
1296					142		
1297	82					192	
1300				116, 116			
1319	58				120	168	
1329						206	
1330	72					182	
1345	80				142	190	
1351	70				132	180	
1352	70				132	180	
1396	66				128	176	

Part No.	Page Location of Part Nos. for Varieties of Machines						
	271K11	271K13	271KX1	271K211	271K12	271K14	271K24
1423	58				120, 144, 158		
1443	60				122	170, 190, 190	
1460				116			
1469	78				140	188	
1508	78				140	188	
1517	58				120	168	
1518	78				140	188	
1520	70, 70, 76, 78, 86, 86, 86				132, 132, 140, 148, 148, 148	180, 180, 186, 188, 196, 196, 196, 206	
1521	68, 76, 82				130, 138, 144	178, 186, 192, 206	
1547	58, 62, 72				120, 124, 134	168, 172, 182, 206	
1550					122, 158		
1560	60				122, 158	170	
1562	92				122, 154	168, 202	
1607	64				126, 126	174	
1608	58				120	168	
1619	78				140	188	
1620	70, 84, 92				132, 146, 154	180, 194, 202	
1623	82				144	192	
1638	78				140	188	
1655	78				140	188	
1658	86				148	196	
1664	60				158		
1671	86				148	196	
1698	60, 62				122, 124, 126, 144	170, 172	
1735						190, 206	
1772	80, 98	108				190, 210	
1822					138		
1901	70				132	180	
1904	78						
1959					140	188	
1960		104				196	
1963	72				134	182	
2102	60				122	170	
2103						170	
2256	70				132	180	
2269	76, 76				138	186, 190	
2273	84					194	
2455	92				154	168, 202	
7070	62				124	172	
7071	62, 70				124, 132	172, 180, 206	
8238	60				122		
8582	78, 78				140, 140	188, 188	
9046	88				150	198	
9543	58				120	168	
9544	58				120	168	
9545-001	58				120	168	
12400					122		
12424	70				132, 140	180, 188	
18859						168	
21651	78				140	188	
21654	96				160	208	
22843	100				164	212	
22844	100				164	212	
22963	88				150	198	
22964	88				150	198	
22965	88				150	198	
22966	88				150	198	
22979						190	
22980						168	
22981						168	
23115					162		

Part No.	Page Location of Part Nos. for Varieties of Machines						
	271K11	271K13	271KX1	271K211	271K12	271K14	271K24
23116	80	—	—	—	142		
23117						208, 210	
23118						210	
23119						168	
23120						210	
23121						208, 210	
23122						210	
23123						208, 210	
23124						210	
23125						210	
23126						210	
23127						210	
23128						210	
23129						210	
23130						210	
23135	94				156	204	
23138	80	—	—				
23139	80	—	—				
23140	80	—	—				
23141	98						
23142	98						
23162	94				156	204	
23164	98				162		
23165		108					
23191		108	112				
23192		108	112				
23193		108	112				
23194		108					
23195		108	112				
23196		108	112				
23197		108					
23318						190	
23319						190	
23320						190	
23321						190	
23322						190	
23323						190	
23324						190	
23325						190	
23326						192	
23327					144		
23390	58, 84				120, 146	194	
23396	86				148	196	
23435	84				146	194	
23460	58				120	168	
23466	88				150	198	
23520	76						
23535	96				160	208	
23554	76				138	186	
23669					120		
23681	72				134	182	
27739	100				164	212	
32012	60				158		
32572	60				158		
39504	62				124	172	
39532	86				148	196	
39541	70, 70, 72, 78, 82				132, 132, 140	168, 180, 180, 182, 188, 192	
39583	86				148	196	
39607		108					
39635	60				158		
39652	60				122	170	
39675	76				138	186	
39711					122		

Part No.	Page Location of Part Nos. for Varieties of Machines						
	271K11	271K13	271KX1	271K211	271K12	271K14	271K24
39715					142		
39720		104	112			190	
39768						206	
39770						168	
39772						206	
39773						206	
39780						206	
39781						206	
39784						206	
39788						206	
39789						168	
39790						168	
39853						206	
39855						206	
39858						190, 208	
39866						190	
39867						190, 208	
39882	76				138	186	
39899						206	
39988	78				140	188	
40007	86				148	196	
40013						208	
40025	66, 66, 74, 88				128, 128, 136, 150	176, 176, 184, 198	
40038	80				142	190	
40043	60				122		
40045	84					194	
40050						190	
40052	70				132	180	
40053	70				132	180	
49109	58				120	168	
50057	88				150, 158	198	
50093	80, 98	—	108				
50150	84					194	
50156	84				146	194	
50166					144		
50172	62				124	172	
50221	82				144	192	
50356	92				154	202	
50379	86				148	196	
50416	72, 84			—	134, 146	182, 194	
50579	90				152	200	
50615	94				156	204	
51000	64				126	174	
51047	76				138	186	
51064					142		
51570	60						
51652	88					198	
51946				112			
51952	78						
53561	64				126	174	
53564	94					204	
53569	90				152	200	
53570	72				134	182	
58384	78				140	188	
98731	98				162		
98732	98				162		
98733	96, 98	—	—		160, 162		
98734	98				162		
98735	58	—	—		120		
98736	98				162		
98737	96, 98	—			160, 162		
98738	98				160, 162		
98739	96, 98	—	108	112	162		

Part No. | Page Location of Part Nos. for Varieties of Machines

Part No.	172K11	271K13	271KX1	271K211	271K*2	271K14	271K24
98740	98	108			162		
98741	98	108			162		
98742	98	108			162		
98743	98	106, 108	112				
98744		108					
98745		106, 108	112				
98746		108					
98747		106, 108					
98748		108					
98749		108					
98750		108					
98751		104					
98946						210	
98947						210	
98948						210	
98949						210	
98950						210	
98952	58				120	168	
98961	58				120	168	
98962	68				130	178	
98964	68				130	178	
98965	58				120	168	
98966	58				120		
98967						168	
98968	58				120	168	
99773		104	112			190	
99774	86	—			148		
99775			112				
99777	86				148	196	
101813					162		
101814					162		
101815					162		
101816					162		
106151	86				148	196	
106152	86				148	196	
106189	90				152	200	
106190	90				152	200	
106202						206	
106203						210	
106204						210	
106205						206	
106206						206	
106207						210	
106208						210	
106209						206	
106210						206	
106211						206	
106212						206	
106213						206	
106214						168	
106220							216
106221							216
106222							216
106223							216
106224							216
106225							216
106226							216
106227							216
106228							216
106229							216
106230							216
106231							216
106232							216

Part No.	Page Location of Part Nos. for Varieties of Machines						
	271K11	271K13	271KX1	271K211	271K12	271K14	271K24
106233							216
106235							216
106267	90				152	200	
106268	90				152	200	
106426	90				152	200	
107116	90				152		
107117						200	
107118	90				152		
107119						200	
107120	90				152		
107121						200	
107122	90				152		
107123						200	
108216	58				120	168	
109060	58				120	168	
109209						206	
113314	86, 86	—			148, 148	196	
114002	68				130	178	
114003	58				120	168	
114060						206	
114120					126		
114123	70				132	180	
120346	96				160	208	
120347	96				160	208	
140040	58	—			120		
140050	74	104			136	168, 184	
140071	82				144	192	
140091				116			
140321	70, 74				132, 136	180, 184	
140409	64				124	174	
140490	60				122	170	
140566	70				132	180	
140596							216
140930	66, 66				128	176, 176	
141024	88	—					
141087	58				120	168	
141275	68, 68				130, 130	178, 178	
141285					144		
141316	72				134	182	
141504	66				128	176	
141507	90				152	200	
141514	90				152	200	
141525	90				152	200	
141544	94					204	
141546	66				128	176	
141547	90				152	200	
141548	62				124	172	
141549	62				124	172	
141554	82, 98				144	192	
141556	70				132	180	
141557	80				142	190	
141558	82				144	192	
141562	68				130	178	
141563	88				150	198	
141564	64				126	174	
141572	94, 94				156, 156	204, 204	
141575	82					192	
141586	72				134	182	
141597	86				148	196	
141600	66				128	176	
141601					142		
141602	86	104			148, 150	196, 198	
141623					122		
141624					144		

Part No.	Page Location of Part Nos. for Varieties of Machines						
	271K11	271K13	271KX1	271K211	271K12	271K14	271K24
141625					158		
141626					142		
141628					122		
141629	90				152	200	
141644					150, 150		
141649	72				134	182	
141659	90				152	200	
141661					158		
141666		104	112			190	
141667						206	
141670					126		
141671					150		
141675	86				148	196	
141678	86				148	196	
141679	62				124	172	
151223	100				164	212	
161294	96				160	208	
161295	96				160	208	
200137	96	—			160	208	
200386					132		
201052					146		
201321						206	
201381	70				132	180	
201437	84					194	
201476	84						
201624	84					194	
201668	88				150	198	
201711	82					192	
201732	72, 72				134, 134	182, 182	
201784					126		
201883					158		
202005	76				138	186	
202248	76				138	186	
202330	74				136	184	
202622	82				144	192	
203962	94					204	
204479	88				150		
204925					138		
205634	72				134	182	
206482	88				150, 150	198	
210541	90				152	200	
210734	90				152	200	
210735	90				152	200	
210736	90				152	200	
210805					126		
210962	64				126	174	
213949						206	
222616	76				138	186	
225734					126		
227224					146		
228026	84					194	
228349	100				164	212	
228661	94, 94				156, 156	204, 204	
228757	100				164	212	
228776	100				164		
228909	100				164	212	
232105	80	108					
232131				116			
232515	92				154	202	
232709	82				144		
232935	96				160	208	
233028	90, 96				152, 160	200, 208	

Part No.	Page Location of Part Nos. for Varieties of Machines						
	271K11	271K13	271KX1	271K211	271K12	271K14	271K24
235345	92				154	202	
235706	68, 88				130, 150	178, 198	
238089	72				134	182	
239241	92				154	202	
239353	96				160	208	
239515	88, 88				150, 150	198, 198	
240245	92				154	202	
241189	58				120	168	
243798	94				156	204	
243799	94				156	204	
244746	90				152	200	
249534	86				148	196	
249544	58				120	168	
249545	58				120	168	
249607	72					182	
249659	72				134	182	
249660	72				134	182	
249687	60						
249698					160		
249713	74				136	184	
249716	92				154	202	
249735	80	—			142		
249741	78				140	188	
249749					142		
249753	80	—	—	—	142		
249789	96				160	208	
249801	88	—	—				
249803	96	—					
249804	88	—				198	
249820	96				160	208	—
249827	80	108					
249858	76				138	186	
249861	76				138	186	
249863	88				150	198	
249864	76				138	186	
249869	88				150	198	—
249883	94				156	204	
249922	84			—	146	194	
249945	96				160	208	
249947	78				140	188	
249954		104					
249958		104				190	
249960		104				196	
249976	80, 96	108					
249977	80, 96	108					
249984		106					
249986		104					
249987		104					
250408	100				164	212	
250444	84				146	194	
250491	78						
251170	70				132	180	
255513	96				160	208	
255540	96				160	208	
255541	96				160	208	
259143						212	
259929				116			
262004						206	
262005						206	
262006						206	
262007						206	
262009						206	—
262026						208	

Part No.	Page Location of Part Nos. for Varieties of Machines						
	271K11	271K13	271KX1	271K211	271K12	271K14	271K24
262058	72				134	182	
262103				116			
262109				116			
262110				116			
262111				116			
262114				116			
262118				116			
262119				116			
262120				116			
262128	72				134		
262133	62				124	172	
262135	62				124	172	
262138	18				130	178	
262142				116			
262144				116			
262166				116			
262171	72				134	182	
262181				116			
262182				116			
262183				116			
262184				116			
262185				116			
262186				116			
262187				116			
262188				116			
262189				116			
263572	66, 82				128, 144	176, 192	
265672	74, 88				136, 150	184, 198	
267093	64				124	174	
267242	96				160	208	
268072					132		
268425	64				124	174	
270200	58				120	168	
271137		106					
271402					142		
271403					142		
271404					142		
271405					162		
271408	60				122	170	
271409	66				128	176	
271410	60				122	170	
271411					126		
271412					134		
271413					126		
271414					122		
271415	94				156		
271416					156		
271417	86				148	196	
271418	86				148	196	
271419	90				152	200	
271422		108					
271423	66				128	176	
271425					144		
271426	66				128	176	
271427		108					
271428	60				122	170	
271429	72				134	182	
271430						170	
271431	94				156	204	
271432		108					
271434	64				124	174	
271435	94				156	204	
271438						182	

Part No.	Page Location of Part Nos. for Varieties of Machines						
	271K11	271K13	271KX1	271K211	271K12	271K14	271K24
271442	58				120	168	
271444	58				120	168	
271445	58				120	168	
271450	82				144	192	
271451					150		
271452					144		
271453					144		
271456	90				152	200	
271457					158		
271458	98				162	210	
271459	98				162	210	
271460					126		
271462		104					
271464	94					204	
271465	80	—	—				
271467	98						
271470					120		
271471	90				152	200	
271473	66				128	176	
271474	90				152	200	
271475	90				152	200	
271483	80, 98	108				190, 210	
271485					150		
271486					120		
271487	82					192	
271488	94				158	204	
271490						190	
271491		104	112				
271493						192	
271494	58				120	168	
271495	74				136	184	
271498		104				190	
271499					144		
271500					120		
271502	68				130	178	
271503	68				130	178	
271504	72				134	182	
271505	68				130	178	
271506	68				130	178	
271507	66				128	176	
271508	66, 68				127, 130	176, 178	
271509	68				130	178	
271510	94			—		204	
271511	94				156	204	
271512	94				156	204	
271514	94				156	204	
271515	88					198	—
271517	64				126	174	
271518	64				126	174	
271519	64				126	174	
271522	78				140	188	
271523	76				138	186	
271524	76				138	186	
271527	86				148	196	
271532	84					194	
271533	84				146	194	
271535	86				148	196	
271536	94			—		204	
271539	84				146	194	
271540	70				132	180	
271541	70				132	180	
271542	84	—			146		
271543	84				146	194	
271544	84				146	194	

Part No.	Page Location of Part Nos. for Varieties of Machines						
	271K11	271K13	271KX1	271K211	271K12	271K14	271K24
271546	82				144	192	
271547	58						
271548	58						
271550	66	—				176	
271558	66				128	176	
271559	66	—				176	
271560	66				128	176	
271562	66				128	176	
271564					150		
271565	88				150	198	
271566	88				150	198	
271569	88				150	198	
271573	88				150	198	
271578	64				124	174	
271580	64				124	174	
271583	64				124	174	
271584	66				128	176	
271585	90				152	200	
271586	90				152	200	
271589	90				152	200	
271591	90				152	200	
271592	90				152	200	
271593	90				152	200	
271595	72				134	182	
271599	68				130	178	
271604	62				124	172	
271605	64				126	174	
271606	58				120	168	
271607	58				120	168	
271608	62				124	172	
271609	62				124	172	
271610	58				120	168	
271611	58				120	168	
271614	94					204	
271615	74				136	184	
271617	74				136	184	
271618	74				136	184	
271619	74				136	184	
271521	70				132	180	
271622	70				132	180	
271623	70				132	180	
271624	70				132	180	
271625	70				132	180	
271626	78				140	188	
271627	78				140	188	
271628	70				132	180	
271629	70				132	180	
271630	70				132	180	
271631	64				126	174	
271632	78				140	188	
271633	78				140	188	
271634	98				162	210	
271635	98				162	210	
271636	96, 98				160, 162	208, 210	
271637	98	106			162	210	
271638	96, 98	—			162	208, 210	
271639	98				128	210	
271640	96, 98	104—			160, 162	176	
271641	66, 66	106			160, 162	208, 210	
271642	96, 98	—			162	208, 210	
271643	96, 98	104			160, 162	176	
271644	98				128	210	
271645	96, 98				160, 162	208, 210	
271646	98				162	210	

Part No.	Page Location of Part Nos. for Varieties of Machines						
	271K11	271K13	271KX1	271K211	271K12	271K14	271K24
271647	98				162	210	
271648	98	106			162	210	
271649	88				150	198	
271650	74				136	184	
271651	66, 68				128, 130	176, 178	
271652	66				128	176	
271653	74				136	184	
271654	76					186	
271655	70, 76				132	180, 186	
271656	70				132	180	
271657	70				132	180	
271658	60				122		
271661	72						
271662	72						
271665	60				158		
271666	58				120	168	
271667	58				120	168	
271670	70				132	180	
271671	70				132	180	
271679	82					192	
271680	82					192	
271681	70				132	180	
271684	84					194	
271685	80	108					
271686	88					198	
271687	82					192	
271688	82					192	
271689	82				144	192	
271690	82					192	
271691	60, 84				122	194	
271692	58				120		
271693	58					168	
271694	68				130	178	
271696	68				130	178	
271698	64				126	174	
271699	68				130	178	
271700	60				122	170	
271701	60				122	170	
271702	82				144	192	
271703	96				160	208	
271704	92				154	202	
271705	92				154	202	
271706	92				154	202	
271707	92				154	202	
271708	92				154	202	
271709	92				154	202	
271710	92				154	202	
271711	92				154	202	
271712	92				154	202	
271713	92				154	202	
271714	92				154	202	
271715	92				154	202	
271717	92				154	202	
271718	94				156	204	
271721	94			—	156	204	
271722	94				156	204	
271723	94				156	204	
271726	94			—	156	204	
271727	76				138	186	
271729	76				138	186	
271730	74				136	184	
271731	66				128	176	
271732	94				156	204	
271733	66				128	176	

Part No. | Page Location of Part Nos. for Varieties of Machines

	271K11	271K13	271KX1	271K211	271K12	271K14	271K24
271734	74				136	184	
271736	74				136	184	
271738	74				136	184	
271739	74				136	184	
271740	74				136	184	
271741	86				148	196	
271744	60					170	
271749	80				142	190	
271750	66				128	176	
271752	94				156	204	
271754	64				124	174	
271755	64				126	174	
271756	64				126	174	
271757	88				150	198	
271758	88				150	198	
271759	74				136	184	
271760	68				130	178	
271761	94				156	204	
271762	94				156	204	
271763	74				136	184	
271764	62				124	172	
271765	62				124	172	
271766	74				136	184	
271767	74				136	184	
271770	62				124	172	
271771	62				124	172	
271772	88				150	198	
271773	60					170	
271774	64				126	174	
271778	94				156	204	
271779	94				156	204	
271780	80				142	190	
271781	60					170	
271782	60				122	170	
271783	72					182	
271786	90				152	200	
271787	90				152	200	
271788	90				152	200	
271790	68				130	178	
271791	94				156	204	
271792	84					194	
271793	68				130	178	
271794	64				124	174	
271795	88				150	198	
271796	64				126	174	
271797	96			—	160	208	
271798	92				154	202	
271799	86				148	196	
271800	86				148	196	
271801	72			—	134	182	
271802	76				138	186	
271803	76				138	186	
271804	94				156	204	
271805	80				142		
271806	82						
271808	90				152	200	
271828	86				148	196	
271829	86				148	196	
271830	90				152	200	
271831	62				124	172	
271832	86				148	196	
271833	86				148	196	
271834	88	—	—				
271837					156		

Part No.	Page Location of Part Nos. for Varieties of Machines						
	271K11	271K13	271KX1	271K211	271K12	271K14	271K24
271838					134		
271839					150		
271840					150		
271841					122		
271842					122		
271843					122		
271844					122		
271845					144		
271846					146		
271847					162		
271849					142		
271851	82					192	
271852	82						
271853		104				194	
271854		104			128		
271855		104			127		
271856		104					
271857	84						
271858					158		
271859					158		
271860					158		
271862						204	
271866						192	
271867						206	
271868						206	
271869						206	
271872						198	
271876						186	
271877						186	
271878						194	
271880					150		
271881	66				128	176	
271883	64				126	174	
271886	64				126	174	
271887	64				126	174	
271888	64				126	174	
271889	62				124	172	
271890	62				124	172	
271891	86				148	196	
271892	86				148	196	
271893	80				142	190	
271894	80				142	190	
271895	86				148	196	
271896	86				148	196	
271914	72				134	182	
271915	58				120	168	
271916	58					168	
271917	62				124	172	
271918	62				124	172	
271919	58						
271920	80				142	190	
271921	80	—	—		142		
271922	80				142	190	
271925	76						
271926	80, 96				142, 160	190, 208	
271927	88				150	198	
271928	72					182	
271929	60				122	170	
271930	72					182	
271931	64					174	
271933	84				146	194	
271934	72				134	182	
271935	72				134	182	
271936	72				134	182	

Part No. | Page Location of Part Nos. for Varieties of Machines

Part No.	271K11	271K13	271KX1	271K211	271K12	271K14	271K24
271937	78				140	188	
271938	78					188	
271939	74				136	184	
271940	78				140	188	
271943	64				126	174	
271947	80	—	—	—	142		
271948	92				154	202	
271949	70				132	180	
271950	76				138	186	
271951	84				146	194	
271952	72				134	182	
271965	76				138	186	
271966	62				124	172	
271967	72				134	182	
271968	78				140	188	
271974	86				148	196	
271975	68				130	178	
271976	62				124	172	
271977	76				138	186	
271978	66				128	176	
271979	64				124	174	
271980					158		
271981					158		
271982					158		
271983					158		
271984					158		
271985					158		
271986					158		
271987					158		
271988					158		
271989					138		
271990					138		
271991					138		
271992					140		
271993					144		
271994					144		
271995					144		
271997					144		
271998					144		
272000					142		
346901			112				
350109	70				132	180	
350114	70				132	180	
350229	88				158	198	
350234	80	—	—		142		
350235	78				140	188	
350237	84				146	194	
350265	82				144	192, 194	
350287	76, 76, 78				122, 126, 138, 138, 140, 158	186, 186, 188	
350288	76				138	186	
350339	76				138	186	
350342						206	
350365	70				132	180	
350399	60				158		
350459	82				144	192	
350562	58				120	168	
350595	90				152	200	
350635	78				140	188	
350647				116			
350654				116			
350712	72				134	182	
350781					128		

Part No.	Page Location of Part Nos. for Varieties of Machines						
	271K11	271K13	271KZ1	271K211	271K12	271K14	271K24
351894					150		
351895					158		
395990						206	
502535	90				152	200	
Cat. 1526	96				160	208	

*Items used on this machine which are additional to those listed under 271K11.
 271K11 items not used on this machine are indicated by a dash —

*Items used on this machine which are additional to those listed under 271K14.
 271K14 items not used on this machine are indicated by a dash —